



Product Catalog

If you can Drive it we can Cool it



Exact fit

Direct fit

Comb*
Unit

Table of Contents

About Griffin Thermal Products	3
Griffin Radiator Fitments	4

Exact Fit Radiators

Domestic Cars	5 - 63
---------------------	--------

AMC	5 - 6
Buick	6 - 8
Cadillac	9 - 10
Chevy	10 - 20
Chrysler	21 - 24
Dodge	24 - 32
Ford	32 - 43
Lincoln	43 - 44
Mercury	44 - 46
Oldsmobile	46 - 49
Plymouth	49 - 59
Pontiac	60 - 63

Trucks	64 - 75
--------------	---------

Dodge	64 - 68
Ford	69 - 71
GM	71 - 74
Jeep	74 - 75
Nissan	75
Toyota	75

Direct Fit Radiators

General Motors	76 - 78
Mopar	78
Ford	78 - 79

On Road Combo Units

General Motors	79 - 81
Ford	82
Mopar	83

Off Road Combo Units

All	83 - 85
-----------	---------

Drawings

86 - 103

About Griffin Thermal Products



Who we are and where we're going.

Created for racing, engineered for performance, and perfected over the last 30 years, Griffin radiators are the best in the business. Stemming from the grass roots days of circle track racing, Griffin products are American made right here in Piedmont, South Carolina. Over the past 30 years, Griffin Radiator has evolved to Griffin Thermal Products and is now a fully capable automotive cooling system supplier. Located in the heart of circle track racing and affiliated with a tier-1 automotive supplier, no job is too big or too small.

The main Griffin facility is located at 750 Estes Dr and boasts a 300,000 SqFt manufacturing floor. This facility is home to two vacuum brazing ovens, an induction welding tube mill, several fin machines, multiple tank presses, and every other piece of equipment required to manufacture aluminum radiators and cores. Also at this facility is the 30,000 SqFt of office space which houses Griffin Sales, Engineering, and Marketing.

With room to expand, a taste for innovation, and a great deal of dedication, Griffin Thermal Products is here to stay. Griffin has proudly been manufacturing American Made products for the past 30 years and will continue to manufacture them for the next 30 years.

Griffin Thermal Products is proud to be family owned and operated.

Automotive Aluminum Radiators

Griffin Automotive Radiators are on the forefront of cooling technology. With the assistance of our computerized thermal dynamics and flow analysis software we have been able to engineer the individual components of our products to maximize performance. Through this research, such products as Griffin Max Cool tubing and Griffin Extreme Cool tubing have been created. These new tubing sizes are quite possibly the biggest advancement in aluminum radiator technology to date. Griffin tank designs have also been improved as a result of our advanced research. Identifying hot spots, low flow and high flow locations, and turbulence points are all part of our engineering process.

Which Product is Right for You?

Exact fit

Griffin is proud to introduce the all new Exact Fit series of aluminum radiators. With 30 years of experience in the performance cooling market and one of the largest collections of OEM sample radiators, Griffin has engineered the Exact Fit series. These new products feature exact OEM fitment, OEM style stamped tanks, and mounting provisions for all factory equipment. With a double focus on precision and performance, the Exact Fit products install exactly the same as the OEM component. They offer all of the required mounting tabs, brackets, and spuds to ensure a seamless installation without any cutting, bending, or special tools. Optimal performance is achieved by the use of two rows of Griffin exclusive MaxCool 1.25 inch tubing or one row of Griffin exclusive ExtremeCool 1.50 inch tubing. The wider tube widths used in this product line create a greater amount of surface area in the same amount of space. This allows the product to far exceed the performance of the common two row 1.00 inch radiators. Constructed of only the best AA3003 aluminum, these new products are a step above the rest in both purity and design. Backed by the industries best two year warranty and no special coolant requirements, the new Exact Fit radiators are the top of the line. The Exact Fit series aluminum radiators are the easiest to install, provide the best OEM appearance, and offer superior cooling performance. Custom electric fan and aluminum shrouds are available for most Exact Fit products. Sticking with our American heritage and our ongoing initiative to provide Made in the USA products, this new series will be made exclusively at our 330,000 Sq. Ft. manufacturing facility in Piedmont, South Carolina.

Direct fit

The wait is finally over; the all new Griffin Direct Fit aluminum radiators are here! The new series offers superior performance cooling at an affordable cost. Featuring Griffin exclusive MaxCool 1.25 inch induction welded tubing, these products are capable of cooling some extreme horsepower. Modern style, universal, welded tanks provide a high performance appearance and D.I.Y. (do-it-yourself) style mounting brackets make installation a snap. Backed by the industries best two year warranty and no special coolant requirements the new Direct Fit radiators are at the top of their class. The Direct Fit series has been carefully designed to fit thousands of makes and models with minimal modifications. In some cases, the factory fan shroud will need to be slightly modified to accommodate the new product. The Direct Fit series is also available as a Combo Unit. This package includes factory mounted, high performance electric fans and a hand formed aluminum shroud. The new Direct Fit series offers affordable performance cooling, modern style tanks, and optional Combo Unit upgrade to keep your vehicle running cool all day long.

Created for racing, engineered for performance, and perfected over the last 30 years, Griffin radiators are the best in the business. Stemming from the grass roots days of circle track racing, Griffin products are 100% American made in Piedmont, South Carolina.

Combo Unit

Combo Unit OFF ROAD

A simple solution to a complicated situation; Griffin Combo Units are the perfect combination of an aluminum radiator and electric fan(s). These products are constructed with Griffin 1.25 inch MaxCool tubing, a hand formed, all aluminum shroud, and high performance electric fan(s). The Combo Unit series has been created by Griffin engineering to take all of the confusing guess work out of switching to electric fans. The best fan for the radiator has been selected, the shroud and fan(s) have been mounted to the radiator, and the wiring harness has been provided. The end result is affordable performance cooling straight out of the box. Griffin Combo Units feature slim line fan(s) to accommodate more makes and models while Griffin Combo Unit Off Road products are equipped with thicker heavy duty fans(s). Please measure twice and order once. **All Griffin ComboUnit products require the removal of engine driven fans.**

AMC

70-74 Ambassador See Drawings p.86-103		
Part Number	Rows	Core Size
5-00073	2	17.00W x24.00L x 2.68T
Combo Unit # CU-00073	Tube Size	In Tank Cooler
	1.25"	No
	Outlets	Notes
	TR/BL	AMX/AMC "ALL", Grille Side Brackets
Part Number	Rows	Core Size
5-00074	2	17.00W x24.00L x 2.68T
Combo Unit # CU-00074	Tube Size	In Tank Cooler
	1.25"	No
	Outlets	Notes
	TR/BL	AMX/AMC "ALL", Engine Side Brackets
Part Number	Rows	Core Size
5-70073	2	17.00W x24.00L x 2.68T
Combo Unit # CU-70073	Tube Size	In Tank Cooler
	1.25"	Yes
	Outlets	Notes
	TR/BL	AMX/AMC "ALL", Grille Side Brackets
Part Number	Rows	Core Size
5-70074	2	17.00W x24.00L x 2.68T
Combo Unit # CU-70074	Tube Size	In Tank Cooler
	1.25"	Yes
	Outlets	Notes
	TR/BL	AMX/AMC "ALL", Engine Side Brackets
70-74 Gremlin See Drawings p.86-103		
Part Number	Rows	Core Size
5-00073	2	17.00W x24.00L x 2.68T
Combo Unit # CU-00073	Tube Size	In Tank Cooler
	1.25"	No
	Outlets	Notes
	TR/BL	AMX/AMC "ALL", Grille Side Brackets
Part Number	Rows	Core Size
5-00074	2	17.00W x24.00L x 2.68T
Combo Unit # CU-00074	Tube Size	In Tank Cooler
	1.25"	No
	Outlets	Notes
	TR/BL	AMX/AMC "ALL", Engine Side Brackets
Part Number	Rows	Core Size
5-70073	2	17.00W x 24.00L x 2.68T
Combo Unit # CU-70073	Tube Size	In Tank Cooler
	1.25"	Yes
	Outlets	Notes
	TR/BL	AMX/AMC "ALL", Grille Side Brackets

Part Number	Rows	Core Size
5-70074	2	17.00W x 24.00L x 2.68T
Combo Unit # CU-70074	Tube Size	In Tank Cooler
	1.25"	Yes
	Outlets	Notes
	TR/BL	AMX/AMC "ALL", Engine Side Brackets
69-77 Hornet See Drawings p.86-103		
Part Number	Rows	Core Size
5-00073	2	17.00W x24.00L x 2.68T
Combo Unit # CU-00073	Tube Size	In Tank Cooler
	1.25"	No
	Outlets	Notes
	TR/BL	AMX/AMC "ALL", Grille Side Brackets
Part Number	Rows	Core Size
5-00074	2	17.00W x24.00L x 2.68T
Combo Unit # CU-00074	Tube Size	In Tank Cooler
	1.25"	No
	Outlets	Notes
	TR/BL	AMX/AMC "ALL", Engine Side Brackets
Part Number	Rows	Core Size
5-70073	2	17.00W x24.00L x 2.68T
Combo Unit # CU-70073	Tube Size	In Tank Cooler
	1.25"	Yes
	Outlets	Notes
	TR/BL	AMX/AMC "ALL", Grille Side Brackets
Part Number	Rows	Core Size
5-70074	2	17.00W x24.00L x 2.68T
Combo Unit # CU-70074	Tube Size	In Tank Cooler
	1.25"	Yes
	Outlets	Notes
	TR/BL	AMX/AMC "ALL", Engine Side Brackets
67-74 Javelin See Drawings p.86-103		
Part Number	Rows	Core Size
5-00073	2	17.00W x24.00L x 2.68T
Combo Unit # CU-00073	Tube Size	In Tank Cooler
	1.25"	No
	Outlets	Notes
	TR/BL	AMX/AMC "ALL", Grille Side Brackets
Part Number	Rows	Core Size
5-00074	2	17.00W x24.00L x 2.68T
Combo Unit # CU-00074	Tube Size	In Tank Cooler
	1.25"	No
	Outlets	Notes
	TR/BL	AMX/AMC "ALL", Engine Side Brackets
Continue to next page	TR/BL	AMX/AMC "ALL", Engine Side Brackets

6 DOMESTIC CARS

EXACT FIT

Part Number	Rows	Core Size
5-70073	2	17.00W x24.00L x 2.68T
Combo Unit # CU-00073	Tube Size	In Tank Cooler
	1.25"	Yes
	Outlets	Notes
	TR/BL	AMX/AMC "ALL", Grille Side Brackets
Part Number	Rows	Core Size
5-70074	2	17.00W x24.00L x 2.68T
Combo Unit # CU-00074	Tube Size	In Tank Cooler
	1.25"	Yes
	Outlets	Notes
	TR/BL	AMX/AMC "ALL", Engine Side Brackets
71-78 Matador See Drawings p.86-103		
Part Number	Rows	Core Size
5-00073	2	17.00W x 24.00L x 2.68T
Combo Unit # CU-00073	Tube Size	In Tank Cooler
	1.25"	No
	Outlets	Notes
	TR/BL	AMX/AMC "ALL", Grille Side Brackets
Part Number	Rows	Core Size
5-00074	2	17.00W x 24.00L x 2.68T
Combo Unit # CU-00074	Tube Size	In Tank Cooler
	1.25"	No
	Outlets	Notes
	TR/BL	AMX/AMC "ALL", Engine Side Brackets
Part Number	Rows	Core Size
5-70073	2	17.00W x 24.00L x 2.68T
Combo Unit # CU-70073	Tube Size	In Tank Cooler
	1.25"	Yes
	Outlets	Notes
	TR/BL	AMX/AMC "ALL", Grille Side Brackets
Part Number	Rows	Core Size
5-70074	2	17.00W x 24.00L x 2.68T
Combo Unit # CU-70074	Tube Size	In Tank Cooler
	1.25"	Yes
	Outlets	Notes
	TR/BL	AMX/AMC "ALL", Engine Side Brackets

Part Number	Rows	Core Size
6-00007	2	26.38W x 18.53L x 2.68T
Combo Unit # CU-00007	Tube Size	In Tank Cooler
	1.25"	No
	Outlets	Notes
	TL/BR	GM "A" & "G" Body +
Part Number	Rows	Core Size
6-70006	2	28.38W x 18.53L x 2.68T
Combo Unit # CU-70006	Tube Size	In Tank Cooler
	1.25"	Yes
	Outlets	Notes
	TL/BR	GM "A" & "G" Body +
Part Number	Rows	Core Size
6-70007	2	26.38W x 18.53L x 2.68T
Combo Unit # CU-70007	Tube Size	In Tank Cooler
	1.25"	Yes
	Outlets	Notes
	TL/BR	GM "A" & "G" Body +
73-89 Century See Drawings p.86-103		
Part Number	Rows	Core Size
6-00006	2	28.38W x 18.53L x 2.68T
Combo Unit # CU-00006	Tube Size	In Tank Cooler
	1.25"	No
	Outlets	Notes
	TL/BR	GM "A" & "G" Body +
Part Number	Rows	Core Size
6-00007	2	26.38W x 18.53L x 2.68T
Combo Unit # CU-00007	Tube Size	In Tank Cooler
	1.25"	No
	Outlets	Notes
	TL/BR	GM "A" & "G" Body +
Part Number	Rows	Core Size
6-70006	2	28.38W x 18.53L x 2.68T
Combo Unit # CU-70006	Tube Size	In Tank Cooler
	1.25"	Yes
	Outlets	Notes
	TL/BR	GM "A" & "G" Body +
Part Number	Rows	Core Size
6-70007	2	26.38W x 18.53L x 2.68T
Combo Unit # CU-70007	Tube Size	In Tank Cooler
	1.25"	Yes
	Outlets	Notes
	TL/BR	GM "A" & "G" Body +

BUICK

73-75 Apollo See Drawings p.86-103		
Part Number	Rows	Core Size
6-00006	2	28.38W x 18.53L x 2.68T
Combo Unit # CU-00006	Tube Size	In Tank Cooler
	1.25"	No
	Outlets	Notes
	TL/BR	GM "A" & "G" Body +

74-77 Century		See Drawings p.86-103
Part Number	Rows	Core Size
6-00006	2	28.38W x 18.53L x 2.68T
Combo Unit # CU-00006	Tube Size	In Tank Cooler
	1.25"	No
	Outlets	Notes
	TL/BR	GM "A" & "G" Body +
Part Number	Rows	Core Size
6-00007	2	26.38W x 18.53L x 2.68T
Combo Unit # CU-00007	Tube Size	In Tank Cooler
	1.25"	No
	Outlets	Notes
	TL/BR	GM "A" & "G" Body +
Part Number	Rows	Core Size
6-70006	2	28.38W x 18.53L x 2.68T
Combo Unit # CU-70006	Tube Size	In Tank Cooler
	1.25"	Yes
	Outlets	Notes
	TL/BR	GM "A" & "G" Body +
Part Number	Rows	Core Size
6-70007	2	26.38W x 18.53L x 2.68T
Combo Unit # CU-70007	Tube Size	In Tank Cooler
	1.25"	Yes
	Outlets	Notes
	TL/BR	GM "A" & "G" Body +
63-85 Electra		See Drawings p.86-103
Part Number	Rows	Core Size
6-00006	2	28.38W x 18.53L x 2.68T
Combo Unit # CU-00006	Tube Size	In Tank Cooler
	1.25"	No
	Outlets	Notes
	TL/BR	GM "A" & "G" Body +
Part Number	Rows	Core Size
6-00007	2	26.38W x 18.53L x 2.68T
Combo Unit # CU-00007	Tube Size	In Tank Cooler
	1.25"	No
	Outlets	Notes
	TL/BR	GM "A" & "G" Body +
Part Number	Rows	Core Size
6-70006	2	28.38W x 18.53L x 2.68T
Combo Unit # CU-70006	Tube Size	In Tank Cooler
	1.25"	Yes
	Outlets	Notes
	TL/BR	GM "A" & "G" Body +
Part Number	Rows	Core Size
6-70007	2	26.38W x 18.53L x 2.68T
Combo Unit # CU-70007	Tube Size	In Tank Cooler
	1.25"	Yes
	Outlets	Notes
	TL/BR	GM "A" & "G" Body +

70-90 Estate Wagon		See Drawings p.86-103
Part Number	Rows	Core Size
6-00006	2	28.38W x 18.53L x 2.68T
Combo Unit # CU-00006	Tube Size	In Tank Cooler
	1.25"	No
	Outlets	Notes
	TL/BR	GM "A" & "G" Body +
Part Number	Rows	Core Size
6-00007	2	26.38W x 18.53L x 2.68T
Combo Unit # CU-00007	Tube Size	In Tank Cooler
	1.25"	No
	Outlets	Notes
	TL/BR	GM "A" & "G" Body +
Part Number	Rows	Core Size
6-70006	2	28.38W x 18.53L x 2.68T
Combo Unit # CU-70006	Tube Size	In Tank Cooler
	1.25"	Yes
	Outlets	Notes
	TL/BR	GM "A" & "G" Body +
Part Number	Rows	Core Size
6-70007	2	26.38W x 18.53L x 2.68T
Combo Unit # CU-70007	Tube Size	In Tank Cooler
	1.25"	Yes
	Outlets	Notes
	TL/BR	GM "A" & "G" Body +
65-85 LeSabre		See Drawings p.86-103
Part Number	Rows	Core Size
6-00006	2	28.38W x 18.53L x 2.68T
Combo Unit # CU-00006	Tube Size	In Tank Cooler
	1.25"	No
	Outlets	Notes
	TL/BR	GM "A" & "G" Body +
Part Number	Rows	Core Size
6-00007	2	26.38W x 18.53L x 2.68T
Combo Unit # CU-00007	Tube Size	In Tank Cooler
	1.25"	No
	Outlets	Notes
	TL/BR	GM "A" & "G" Body +
Part Number	Rows	Core Size
6-70006	2	28.38W x 18.53L x 2.68T
Combo Unit # CU-70006	Tube Size	In Tank Cooler
	1.25"	Yes
	Outlets	Notes
	TL/BR	GM "A" & "G" Body +
Part Number	Rows	Core Size
6-70007	2	26.38W x 18.53L x 2.68T
Combo Unit # CU-70007	Tube Size	In Tank Cooler
	1.25"	Yes
	Outlets	Notes
	TL/BR	GM "A" & "G" Body +

73-87 Regal		See Drawings p.86-103
Part Number	Rows	Core Size
6-00006	2	28.38W x 18.53L x 2.68T
Combo Unit # CU-00006	Tube Size	In Tank Cooler
	1.25"	No
	Outlets	Notes
	TL/BR	GM "A" & "G" Body +
Part Number	Rows	Core Size
6-00007	2	26.38W x 18.53L x 2.68T
Combo Unit # CU-00007	Tube Size	In Tank Cooler
	1.25"	No
	Outlets	Notes
	TL/BR	GM "A" & "G" Body +
Part Number	Rows	Core Size
6-70006	2	28.38W x 18.53L x 2.68T
Combo Unit # CU-70006	Tube Size	In Tank Cooler
	1.25"	Yes
	Outlets	Notes
	TL/BR	GM "A" & "G" Body +
Part Number	Rows	Core Size
6-70007	2	26.38W x 18.53L x 2.68T
Combo Unit # CU-70007	Tube Size	In Tank Cooler
	1.25"	Yes
	Outlets	Notes
	TL/BR	GM "A" & "G" Body +
67-85 Rivera		See Drawings p.86-103
Part Number	Rows	Core Size
6-00006	2	28.38W x 18.53L x 2.68T
Combo Unit # CU-00006	Tube Size	In Tank Cooler
	1.25"	No
	Outlets	Notes
	TL/BR	GM "A" & "G" Body +
Part Number	Rows	Core Size
6-00007	2	26.38W x 18.53L x 2.68T
Combo Unit # CU-00007	Tube Size	In Tank Cooler
	1.25"	No
	Outlets	Notes
	TL/BR	GM "A" & "G" Body +
Part Number	Rows	Core Size
6-70006	2	28.38W x 18.53L x 2.68T
Combo Unit # CU-70006	Tube Size	In Tank Cooler
	1.25"	Yes
	Outlets	Notes
	TL/BR	GM "A" & "G" Body +
Part Number	Rows	Core Size
6-70007	2	26.38W x 18.53L x 2.68T
Combo Unit # CU-70007	Tube Size	In Tank Cooler
	1.25"	Yes
	Outlets	Notes
	TL/BR	GM "A" & "G" Body +

64-79 Skylark		See Drawings p.86-103
Part Number	Rows	Core Size
6-00006	2	28.38W x 18.53L x 2.68T
Combo Unit # CU-00006	Tube Size	In Tank Cooler
	1.25"	No
	Outlets	Notes
	TL/BR	GM "A" & "G" Body +
Part Number	Rows	Core Size
6-00007	2	26.38W x 18.53L x 2.68T
Combo Unit # CU-00007	Tube Size	In Tank Cooler
	1.25"	No
	Outlets	Notes
	TL/BR	GM "A" & "G" Body +
Part Number	Rows	Core Size
6-70006	2	28.38W x 18.53L x 2.68T
Combo Unit # CU-70006	Tube Size	In Tank Cooler
	1.25"	Yes
	Outlets	Notes
	TL/BR	GM "A" & "G" Body +
Part Number	Rows	Core Size
6-70007	2	26.38W x 18.53L x 2.68T
Combo Unit # CU-70007	Tube Size	In Tank Cooler
	1.25"	Yes
	Outlets	Notes
	TL/BR	GM "A" & "G" Body +
65-70 Wildcat		See Drawings p.86-103
Part Number	Rows	Core Size
6-00006	2	28.38W x 18.53L x 2.68T
Combo Unit # CU-00006	Tube Size	In Tank Cooler
	1.25"	No
	Outlets	Notes
	TL/BR	GM "A" & "G" Body +
Part Number	Rows	Core Size
6-00007	2	26.38W x 18.53L x 2.68T
Combo Unit # CU-00007	Tube Size	In Tank Cooler
	1.25"	No
	Outlets	Notes
	TL/BR	GM "A" & "G" Body +
Part Number	Rows	Core Size
6-70006	2	28.38W x 18.53L x 2.68T
Combo Unit # CU-70006	Tube Size	In Tank Cooler
	1.25"	Yes
	Outlets	Notes
	TL/BR	GM "A" & "G" Body +
Part Number	Rows	Core Size
6-70007	2	26.38W x 18.53L x 2.68T
Combo Unit # CU-70007	Tube Size	In Tank Cooler
	1.25"	Yes
	Outlets	Notes
	TL/BR	GM "A" & "G" Body +

CADILAC

65 Calais See Drawings p.86-103		
Part Number	Rows	Core Size
6-00006	2	28.38W x 18.53L x 2.68T
Combo Unit # CU-00006	Tube Size	In Tank Cooler
	1.25"	No
	Outlets	Notes
	TL/BR	GM "A" & "G" Body +
Part Number	Rows	Core Size
6-00007	2	26.38W x 18.53L x 2.68T
Combo Unit # CU-00007	Tube Size	In Tank Cooler
	1.25"	No
	Outlets	Notes
	TL/BR	GM "A" & "G" Body +
Part Number	Rows	Core Size
6-70006	2	28.38W x 18.53L x 2.68T
Combo Unit # CU-70006	Tube Size	In Tank Cooler
	1.25"	Yes
	Outlets	Notes
	TL/BR	GM "A" & "G" Body +
Part Number	Rows	Core Size
6-70007	2	26.38W x 18.53L x 2.68T
Combo Unit # CU-70007	Tube Size	In Tank Cooler
	1.25"	Yes
	Outlets	Notes
	TL/BR	GM "A" & "G" Body +
65-74 Deville See Drawings p.86-103		
Part Number	Rows	Core Size
6-00006	2	28.38W x 18.53L x 2.68T
Combo Unit # CU-00006	Tube Size	In Tank Cooler
	1.25"	No
	Outlets	Notes
	TL/BR	GM "A" & "G" Body +
Part Number	Rows	Core Size
6-00007	2	26.38W x 18.53L x 2.68T
Combo Unit # CU-00007	Tube Size	In Tank Cooler
	1.25"	No
	Outlets	Notes
	TL/BR	GM "A" & "G" Body +
Part Number	Rows	Core Size
6-70006	2	28.38W x 18.53L x 2.68T
Combo Unit # CU-70006	Tube Size	In Tank Cooler
	1.25"	Yes
	Outlets	Notes
	TL/BR	GM "A" & "G" Body +

What size is the inlet and outlet?
Standard inlet and outlet sizes vary depending on the model.

Part Number	Rows	Core Size
6-70007	2	26.38W x 18.53L x 2.68T
Combo Unit # CU-70007	Tube Size	In Tank Cooler
	1.25"	Yes
	Outlets	Notes
	TL/BR	GM "A" & "G" Body +
65-74 Eldorado See Drawings p.86-103		
Part Number	Rows	Core Size
6-00006	2	28.38W x 18.53L x 2.68T
Combo Unit # CU-00006	Tube Size	In Tank Cooler
	1.25"	No
	Outlets	Notes
	TL/BR	GM "A" & "G" Body +
Part Number	Rows	Core Size
6-00007	2	26.38W x 18.53L x 2.68T
Combo Unit # CU-00007	Tube Size	In Tank Cooler
	1.25"	No
	Outlets	Notes
	TL/BR	GM "A" & "G" Body +
Part Number	Rows	Core Size
6-70006	2	28.38W x 18.53L x 2.68T
Combo Unit # CU-70006	Tube Size	In Tank Cooler
	1.25"	Yes
	Outlets	Notes
	TL/BR	GM "A" & "G" Body +
Part Number	Rows	Core Size
6-70007	2	26.38W x 18.53L x 2.68T
Combo Unit # CU-70007	Tube Size	In Tank Cooler
	1.25"	Yes
	Outlets	Notes
	TL/BR	GM "A" & "G" Body +
65-74 Fleetwood See Drawings p.86-103		
Part Number	Rows	Core Size
6-00006	2	28.38W x 18.53L x 2.68T
Combo Unit # CU-00006	Tube Size	In Tank Cooler
	1.25"	No
	Outlets	Notes
	TL/BR	GM "A" & "G" Body +
Part Number	Rows	Core Size
6-00007	2	26.38W x 18.53L x 2.68T
Combo Unit # CU-00007	Tube Size	In Tank Cooler
	1.25"	No
	Outlets	Notes
	TL/BR	GM "A" & "G" Body +
Part Number	Rows	Core Size
6-70006	2	28.38W x 18.53L x 2.68T
Combo Unit # CU-70006	Tube Size	In Tank Cooler
	1.25"	Yes
	Outlets	Notes
	TL/BR	GM "A" & "G" Body +
Continue to next page	TL/BR	GM "A" & "G" Body +

10 DOMESTIC CARS

EXACT FIT

Part Number	Rows	Core Size
6-70007	2	26.38W x 18.53L x 2.68T
Combo Unit # CU-70007	Tube Size	In Tank Cooler
	1.25"	Yes
	Outlets	Notes
	TL/BR	GM "A" & "G" Body +
76-85 Seville See Drawings p.86-103		
Part Number	Rows	Core Size
6-00006	2	28.38W x 18.53L x 2.68T
Combo Unit # CU-00006	Tube Size	In Tank Cooler
	1.25"	No
	Outlets	Notes
	TL/BR	GM "A" & "G" Body +
Part Number	Rows	Core Size
6-00007	2	26.38W x 18.53L x 2.68T
Combo Unit # CU-00007	Tube Size	In Tank Cooler
	1.25"	No
	Outlets	Notes
	TL/BR	GM "A" & "G" Body +
Part Number	Rows	Core Size
6-70006	2	28.38W x 18.53L x 2.68T
Combo Unit # CU-70006	Tube Size	In Tank Cooler
	1.25"	Yes
	Outlets	Notes
	TL/BR	GM "A" & "G" Body +
Part Number	Rows	Core Size
6-70007	2	26.38W x 18.53L x 2.68T
Combo Unit # CU-70007	Tube Size	In Tank Cooler
	1.25"	Yes
	Outlets	Notes
	TL/BR	GM "A" & "G" Body +

CHEVY

49-54 Chevy See Drawings p.86-103		
Part Number	Rows	Core Size
6-00089	2	22.00W x 17.38L x 2.68T
Combo Unit # CU-00089	Tube Size	In Tank Cooler
	1.25"	No
	Outlets	Notes
	TC/BR	GM Early Outlets
Part Number	Rows	Core Size
6-70089	2	22.00W x 17.38L x 2.68T
Combo Unit # CU-70089	Tube Size	In Tank Cooler
	1.25"	Yes
	Outlets	Notes
	TC/BR	GM Early Outlets

Part Number	Rows	Core Size
6-00076	2	17.75W x 22.00L x 2.68T
Combo Unit # CU-00076	Tube Size	In Tank Cooler
	1.25"	No
	Outlets	Notes
	TC/BR	GM ALL (EXC. Latemodel LT & LS)
Part Number	Rows	Core Size
6-70076	2	17.75W x 22.00L x 2.68T
Combo Unit # CU-70076	Tube Size	In Tank Cooler
	1.25"	Yes
	Outlets	Notes
	TC/BR	GM ALL (EXC. Latemodel LT & LS)
55-56 Chevy See Drawings p.86-103		
Part Number	Rows	Core Size
6-00046	2	16.38W x 22.00L x 2.68T
Combo Unit # CU-00046	Tube Size	In Tank Cooler
	1.25"	No
	Outlets	Notes
	TC/BR	55-56 Chevrolet V8 Mount
Part Number	Rows	Core Size
6-00047	2	16.38W x 22.00L x 2.68T
Combo Unit # CU-00047	Tube Size	In Tank Cooler
	1.25"	No
	Outlets	Notes
	TC/BR	55-56 Chevrolet L6 Mount
Part Number	Rows	Core Size
6-70046	2	16.38W x 22.00L x 2.68T
Combo Unit # CU-70046	Tube Size	In Tank Cooler
	1.25"	Yes
	Outlets	Notes
	TC/BR	55-56 Chevrolet V8 Mount
Part Number	Rows	Core Size
6-70047	2	16.38W x 22.00L x 2.68T
Combo Unit # CU-70047	Tube Size	In Tank Cooler
	1.25"	Yes
	Outlets	Notes
	TC/BR	55-56 Chevrolet L6 Mount
57 Chevy See Drawings p.86-103		
Part Number	Rows	Core Size
6-00065	2	16.38W x 22.00L x 2.68T
Combo Unit # CU-00065	Tube Size	In Tank Cooler
	1.25"	No
	Outlets	Notes
	TL/BR	GM V8 (EXC. Latemodel LT & LS)

Part Number	Rows	Core Size
6-70065	2	16.38W x 22.00L x 2.68T
Combo Unit # CU-70065	Tube Size	In Tank Cooler
	1.25"	Yes
	Outlets	Notes
	TL/BR	GM V8 (EXC. Latemodel LT & LS)
58 Chevy		See Drawings p.86-103
Part Number	Rows	Core Size
6-00090	2	20.00W x 19.75L x 2.68T
Combo Unit # CU-00090	Tube Size	In Tank Cooler
	1.25"	No
	Outlets	Notes
	TL/BR	GM OUTLETS
Part Number	Rows	Core Size
6-70090	2	20.00W x 19.75L x 2.68T
Combo Unit # CU-70090	Tube Size	In Tank Cooler
	1.25"	Yes
	Outlets	Notes
	TL/BR	GM OUTLETS
Part Number	Rows	Core Size
6-00100	2	22.00W x 17.00L x 2.68T
Combo Unit # CU-00100	Tube Size	In Tank Cooler
	1.25"	No
	Outlets	Notes
	TC/BR	Early Model First Generation GM V8
Part Number	Rows	Core Size
6-70100	2	22.00W x 17.00L x 2.68T
Combo Unit # CU-70100	Tube Size	In Tank Cooler
	1.25"	Yes
	Outlets	Notes
	TC/BR	Early Model First Generation GM V8
59-64 Belair		See Drawings p.86-103
Part Number	Rows	Core Size
6-00109	2	17.38W x 25.50L x 2.68T
Combo Unit # CU-00109	Tube Size	In Tank Cooler
	1.25"	No
	Outlets	Notes
	TR/BR	GM Early Outlets
Part Number	Rows	Core Size
6-00110	2	15.50W x 23.50L x 2.68T
Combo Unit # CU-00110	Tube Size	In Tank Cooler
	1.25"	No
	Outlets	Notes
	TR/BR	GM Early Outlets

Part Number	Rows	Core Size
6-00111	2	15.50W x 25.50L x 2.68T
Combo Unit # CU-00111	Tube Size	In Tank Cooler
	1.25"	No
	Outlets	Notes
	TR/BR	GM Early Outlets
Part Number	Rows	Core Size
6-70109	2	17.38W x 25.50L x 2.68T
Combo Unit # CU-70109	Tube Size	In Tank Cooler
	1.25"	Yes
	Outlets	Notes
	TR/BR	GM Early Outlets
Part Number	Rows	Core Size
6-70110	2	15.50W x 23.50L x 2.68T
Combo Unit # CU-70110	Tube Size	In Tank Cooler
	1.25"	Yes
	Outlets	Notes
	TR/BR	GM Early Outlets
Part Number	Rows	Core Size
6-70111	2	15.50W x 25.50L x 2.68T
Combo Unit # CU-70111	Tube Size	In Tank Cooler
	1.25"	Yes
	Outlets	Notes
	TR/BR	GM Early Outlets
61-64 Belair		See Drawings p.86-103
Part Number	Rows	Core Size
6-00108	2	17.38W x 25.50L x 2.68T
Combo Unit # CU-00108	Tube Size	In Tank Cooler
	1.25"	No
	Outlets	Notes
	TR/BR	GM Early Outlets, Special (409)
Part Number	Rows	Core Size
6-70108	2	17.38W x 25.50L x 2.68T
Combo Unit # CU-70108	Tube Size	In Tank Cooler
	1.25"	Yes
	Outlets	Notes
	TR/BR	GM Early Outlets, Special (409)

What is the alloy that Griffin uses?

Griffin uses 3003 as a base alloy. Our braze alloy is either 4004 or 4104. These alloys contain a significant amount of magnesium making them stronger than any alloy that can be used in a CAB or COB (also known as NOCOLOC) process.

12 DOMESTIC CARS

EXACT FIT

65 Belair See Drawings p.86-103		
Part Number	Rows	Core Size
6-00107	2	17.00W x 25.50L x 2.68T
Combo Unit # CU-00107	Tube Size	In Tank Cooler
	1.25"	No
	Outlets	Notes
	TR/BR	GM Early Outlets
Part Number	Rows	Core Size
6-70107	2	17.00W x 25.50L x 2.68T
Combo Unit # CU-70107	Tube Size	In Tank Cooler
	1.25"	Yes
	Outlets	Notes
	TR/BR	GM Early Outlets
66-68 Belair See Drawings p.86-103		
Part Number	Rows	Core Size
6-00106	2	17.00W x 25.50L x 2.68T
Combo Unit # CU-00106	Tube Size	In Tank Cooler
	1.25"	No
	Outlets	Notes
	TL/BR	GM ALL (EXC. Latemod- el LT & LS)
Part Number	Rows	Core Size
6-70106	2	17.00W x 25.50L x 2.68T
Combo Unit # CU-70106	Tube Size	In Tank Cooler
	1.25"	Yes
	Outlets	Notes
	TL/BR	GM ALL (EXC. Latemod- el LT & LS)
69-70 Belair See Drawings p.86-103		
Part Number	Rows	Core Size
6-00112	2	17.38W x 25.50L x 2.68T
Combo Unit # CU-00112	Tube Size	In Tank Cooler
	1.25"	No
	Outlets	Notes
	TL/BR	GM ALL (EXC. Latemod- el LT & LS)
Part Number	Rows	Core Size
6-70112	2	17.38W x 25.50L x 2.68T
Combo Unit # CU-70112	Tube Size	In Tank Cooler
	1.25"	Yes
	Outlets	Notes
	TL/BR	GM ALL (EXC. Latemod- el LT & LS) TOC Mod Required
71-74 Belair See Drawings p.86-103		
Part Number	Rows	Core Size
6-00006	2	28.38W x 18.53L x 2.68T
Combo Unit # CU-00006	Tube Size	In Tank Cooler
	1.25"	No
	Outlets	Notes
	TL/BR	GM "A" & "G" Body +

Part Number	Rows	Core Size
6-00007	2	26.38W x 18.53L x 2.68T
Combo Unit # CU-00007	Tube Size	In Tank Cooler
	1.25"	No
	Outlets	Notes
	TL/BR	GM "A" & "G" Body +
Part Number	Rows	Core Size
6-70006	2	28.38W x 18.53L x 2.68T
Combo Unit # CU-70006	Tube Size	In Tank Cooler
	1.25"	Yes
	Outlets	Notes
	TL/BR	GM "A" & "G" Body +
Part Number	Rows	Core Size
6-70007	2	26.38W x 18.53L x 2.68T
Combo Unit # CU-70007	Tube Size	In Tank Cooler
	1.25"	Yes
	Outlets	Notes
	TL/BR	GM "A" & "G" Body +
59-64 Biscayne See Drawings p.86-103		
Part Number	Rows	Core Size
6-00109	2	17.38W x 25.50L x 2.68T
Combo Unit # CU-00109	Tube Size	In Tank Cooler
	1.25"	No
	Outlets	Notes
	TR/BR	GM Early Outlets
Part Number	Rows	Core Size
6-00110	2	15.50W x 23.50L x 2.68T
Combo Unit # CU-00110	Tube Size	In Tank Cooler
	1.25"	No
	Outlets	Notes
	TR/BR	GM Early Outlets
Part Number	Rows	Core Size
6-00111	2	15.50W x 25.50L x 2.68T
Combo Unit # CU-00111	Tube Size	In Tank Cooler
	1.25"	No
	Outlets	Notes
	TR/BR	GM Early Outlets
Part Number	Rows	Core Size
6-70109	2	17.38W x 25.50L x 2.68T
Combo Unit # CU-70109	Tube Size	In Tank Cooler
	1.25"	Yes
	Outlets	Notes
	TR/BR	GM Early Outlets
Part Number	Rows	Core Size
6-70110	2	15.50W x 23.50L x 2.68T
Combo Unit # CU-70110	Tube Size	In Tank Cooler
	1.25"	Yes
	Outlets	Notes
	TR/BR	GM Early Outlets

Part Number	Rows	Core Size
6-70111	2	15.50W x 25.50L x 2.68T
Combo Unit # CU-70111	Tube Size	In Tank Cooler
	1.25"	Yes
	Outlets	Notes
	TR/BR	GM Early Outlets
61-64 Biscayne See Drawings p.86-103		
Part Number	Rows	Core Size
6-00108	2	17.38W x 25.50L x 2.68T
Combo Unit # CU-00108	Tube Size	In Tank Cooler
	1.25"	No
	Outlets	Notes
	TR/BR	GM Early Outlets, Special (409)
Part Number	Rows	Core Size
6-70108	2	17.38W x 25.50L x 2.68T
Combo Unit # CU-70108	Tube Size	In Tank Cooler
	1.25"	Yes
	Outlets	Notes
	TR/BR	GM Early Outlets, Special (409)
65 Biscayne See Drawings p.86-103		
Part Number	Rows	Core Size
6-00107	2	17.00W x 25.50L x 2.68T
Combo Unit # CU-00107	Tube Size	In Tank Cooler
	1.25"	No
	Outlets	Notes
	TR/BR	GM Early Outlets
Part Number	Rows	Core Size
6-70107	2	17.00W x 25.50L x 2.68T
Combo Unit # CU-70107	Tube Size	In Tank Cooler
	1.25"	Yes
	Outlets	Notes
	TR/BR	GM Early Outlets
66-68 Biscayne See Drawings p.86-103		
Part Number	Rows	Core Size
6-00106	2	17.00W x 25.50L x 2.68T
Combo Unit # CU-00106	Tube Size	In Tank Cooler
	1.25"	No
	Outlets	Notes
	TL/BR	GM ALL (EXC. Latemodel LT & LS)
Part Number	Rows	Core Size
6-70106	2	17.00W x 25.50L x 2.68T
Combo Unit # CU-70106	Tube Size	In Tank Cooler
	1.25"	Yes
	Outlets	Notes
	TL/BR	GM ALL (EXC. Latemodel LT & LS)

69-70 Biscayne			See Drawings p.86-103
Part Number	Rows	Core Size	
6-00112	2	17.38W x 25.50L x 2.68T	
Combo Unit # CU-00112	Tube Size	In Tank Cooler	
	1.25"	No	
	Outlets	Notes	
	TL/BR	GM ALL (EXC. Latemodel LT & LS)	
Part Number	Rows	Core Size	
6-70112	2	17.38W x 25.50L x 2.68T	
Combo Unit # CU-70112	Tube Size	In Tank Cooler	
	1.25"	Yes	
	Outlets	Notes	
	TL/BR	GM ALL (EXC. Latemodel LT & LS) TOC Mod Required	
71-72 Biscayne			See Drawings p.86-103
Part Number	Rows	Core Size	
6-00006	2	28.38W x 18.53L x 2.68T	
Combo Unit # CU-00006	Tube Size	In Tank Cooler	
	1.25"	No	
	Outlets	Notes	
	TL/BR	GM "A" & "G" Body +	
Part Number	Rows	Core Size	
6-00007	2	26.38W x 18.53L x 2.68T	
Combo Unit # CU-00007	Tube Size	In Tank Cooler	
	1.25"	No	
	Outlets	Notes	
	TL/BR	GM "A" & "G" Body +	
Part Number	Rows	Core Size	
6-70006	2	28.38W x 18.53L x 2.68T	
Combo Unit # CU-70006	Tube Size	In Tank Cooler	
	1.25"	Yes	
	Outlets	Notes	
	TL/BR	GM "A" & "G" Body +	
Part Number	Rows	Core Size	
6-70007	2	26.38W x 18.53L x 2.68T	
Combo Unit # CU-70007	Tube Size	In Tank Cooler	
	1.25"	Yes	
	Outlets	Notes	
	TL/BR	GM "A" & "G" Body +	

What pressure cap should I run?
 Griffin recommends using a premium cap with 14-18 psi for street use and 22-24 psi for racing.

If I increase the pressure will it cool better?
 If the coolant temperature and flow are well controlled it will not offer a significant improvement. Extreme high output engines may benefit from higher pressures.

14 DOMESTIC CARS

EXACT FIT

59-61 Brookwood		See Drawings p.86-103
Part Number	Rows	Core Size
6-00109	2	17.38W x 25.50L x 2.68T
Combo Unit # CU-00109	Tube Size	In Tank Cooler
	1.25"	No
	Outlets	Notes
	TR/BR	GM Early Outlets
Part Number	Rows	Core Size
6-00110	2	15.50W x 23.50L x 2.68T
Combo Unit # CU-00110	Tube Size	In Tank Cooler
	1.25"	No
	Outlets	Notes
	TR/BR	GM Early Outlets
Part Number	Rows	Core Size
6-00111	2	15.50W x 25.50L x 2.68T
Combo Unit # CU-00111	Tube Size	In Tank Cooler
	1.25"	No
	Outlets	Notes
	TR/BR	GM Early Outlets
Part Number	Rows	Core Size
6-70109	2	17.38W x 25.50L x 2.68T
Combo Unit # CU-70109	Tube Size	In Tank Cooler
	1.25"	Yes
	Outlets	Notes
	TR/BR	GM Early Outlets
Part Number	Rows	Core Size
6-70110	2	15.50W x 23.50L x 2.68T
Combo Unit # CU-70110	Tube Size	In Tank Cooler
	1.25"	Yes
	Outlets	Notes
	TR/BR	GM Early Outlets
Part Number	Rows	Core Size
6-70111	2	15.50W x 25.50L x 2.68T
Combo Unit # CU-70111	Tube Size	In Tank Cooler
	1.25"	Yes
	Outlets	Notes
	TR/BR	GM Early Outlets
61 Brookwood		See Drawings p.86-103
Part Number	Rows	Core Size
6-00108	2	17.38W x 25.50L x 2.68T
Combo Unit # CU-00108	Tube Size	In Tank Cooler
	1.25"	No
	Outlets	Notes
	TR/BR	GM Early Outlets, Special (409)

Part Number	Rows	Core Size
6-70108	2	17.38W x 25.50L x 2.68T
Combo Unit # CU-70108	Tube Size	In Tank Cooler
	1.25"	Yes
	Outlets	Notes
	TR/BR	GM Early Outlets, Special (409)
69-70 Brookwood		See Drawings p.86-103
Part Number	Rows	Core Size
6-00112	2	17.38W x 25.50L x 2.68T
Combo Unit # CU-00112	Tube Size	In Tank Cooler
	1.25"	No
	Outlets	Notes
	TL/BR	GM ALL (EXC. Latemodel LT & LS)
Part Number	Rows	Core Size
6-70112	2	17.38W x 25.50L x 2.68T
Combo Unit # CU-70112	Tube Size	In Tank Cooler
	1.25"	Yes
	Outlets	Notes
	TL/BR	GM ALL (EXC. Latemodel LT & LS) TOC Mod Required
67-69 Camaro		See Drawings p.86-103
Part Number	Rows	Core Size
6-00048	2	23.00W x 18.47L x 2.68T
Combo Unit # CU-00048	Tube Size	In Tank Cooler
	1.25"	No
	Outlets	Notes
	TL/BR	First Gen F-Body
Part Number	Rows	Core Size
6-00049	2	20.75W x 18.47L x 2.68T
Combo Unit # CU-00049	Tube Size	In Tank Cooler
	1.25"	No
	Outlets	Notes
	TL/BR	First Gen F-Body
Part Number	Rows	Core Size
6-70048	2	23.00W x 18.47L x 2.68T
Combo Unit # CU-70048	Tube Size	In Tank Cooler
	1.25"	Yes
	Outlets	Notes
	TL/BR	First Gen F-Body
Part Number	Rows	Core Size
6-70049	2	20.75W x 18.47L x 2.68T
Combo Unit # CU-70049	Tube Size	In Tank Cooler
	1.25"	Yes
	Outlets	Notes
	TL/BR	First Gen F-Body

70-81 Camaro See Drawings p.86-103		
Part Number	Rows	Core Size
6-00006	2	28.38W x 18.53L x 2.68T
Combo Unit # CU-00006	Tube Size	In Tank Cooler
	1.25"	No
	Outlets	Notes
	TL/BR	GM "A" & "G" Body +
Part Number	Rows	Core Size
6-00007	2	26.38W x 18.53L x 2.68T
Combo Unit # CU-00007	Tube Size	In Tank Cooler
	1.25"	No
	Outlets	Notes
	TL/BR	GM "A" & "G" Body +
Part Number	Rows	Core Size
6-70006	2	28.38W x 18.53L x 2.68T
Combo Unit # CU-70006	Tube Size	In Tank Cooler
	1.25"	Yes
	Outlets	Notes
	TL/BR	GM "A" & "G" Body +
Part Number	Rows	Core Size
6-70007	2	26.38W x 18.53L x 2.68T
Combo Unit # CU-70007	Tube Size	In Tank Cooler
	1.25"	Yes
	Outlets	Notes
	TL/BR	GM "A" & "G" Body +
65 Caprice See Drawings p.86-103		
Part Number	Rows	Core Size
6-00107	2	17.00W x 25.50L x 2.68T
Combo Unit # CU-00107	Tube Size	In Tank Cooler
	1.25"	No
	Outlets	Notes
	TR/BR	GM Early Outlets
Part Number	Rows	Core Size
6-70107	2	17.00W x 25.50L x 2.68T
Combo Unit # CU-70107	Tube Size	In Tank Cooler
	1.25"	Yes
	Outlets	Notes
	TR/BR	GM Early Outlets
66-68 Caprice See Drawings p.86-103		
Part Number	Rows	Core Size
6-00106	2	17.00W x 25.50L x 2.68T
Combo Unit # CU-00106	Tube Size	In Tank Cooler
	1.25"	No
	Outlets	Notes
	TL/BR	GM ALL (EXC. Latemod- el LT & LS)

Part Number	Rows	Core Size
6-70106	2	17.00W x 25.50L x 2.68T
Combo Unit # CU-70106	Tube Size	In Tank Cooler
	1.25"	Yes
	Outlets	Notes
	TL/BR	GM ALL (EXC. Latemod- el LT & LS)
69-70 Caprice See Drawings p.86-103		
Part Number	Rows	Core Size
6-00112	2	17.38W x 25.50L x 2.68T
Combo Unit # CU-00112	Tube Size	In Tank Cooler
	1.25"	No
	Outlets	Notes
	TL/BR	GM ALL (EXC. Latemod- el LT & LS)
Part Number	Rows	Core Size
6-70112	2	17.38W x 25.50L x 2.68T
Combo Unit # CU-70112	Tube Size	In Tank Cooler
	1.25"	Yes
	Outlets	Notes
	TL/BR	GM ALL (EXC. Latemod- el LT & LS) TOC Mod Required
71-90 Caprice See Drawings p.86-103		
Part Number	Rows	Core Size
6-00006	2	28.38W x 18.53L x 2.68T
Combo Unit # CU-00006	Tube Size	In Tank Cooler
	1.25"	No
	Outlets	Notes
	TL/BR	GM "A" & "G" Body +
Part Number	Rows	Core Size
6-00007	2	26.38W x 18.53L x 2.68T
Combo Unit # CU-00007	Tube Size	In Tank Cooler
	1.25"	No
	Outlets	Notes
	TL/BR	GM "A" & "G" Body +
Part Number	Rows	Core Size
6-70006	2	28.38W x 18.53L x 2.68T
Combo Unit # CU-70006	Tube Size	In Tank Cooler
	1.25"	Yes
	Outlets	Notes
	TL/BR	GM "A" & "G" Body +
Part Number	Rows	Core Size
6-70007	2	26.38W x 18.53L x 2.68T
Combo Unit # CU-70007	Tube Size	In Tank Cooler
	1.25"	Yes
	Outlets	Notes
	TL/BR	GM "A" & "G" Body +

16 DOMESTIC CARS

EXACT FIT

63-67 Chevelle See Drawings p.86-103		
Part Number	Rows	Core Size
6-00054	2	15.50W x 25.50L x 2.68T
Combo Unit # CU-00054	Tube Size	In Tank Cooler
	1.25"	No
	Outlets	Notes
	TL/BR	V8 GM (EXC. Late Model LT & LS Series), EXC. Factory Air
Part Number	Rows	Core Size
6-70054	2	15.50W x 25.50L x 2.68T
Combo Unit # CU-70054	Tube Size	In Tank Cooler
	1.25"	Yes
	Outlets	Notes
	TL/BR	V8 GM (EXC. Late Model LT & LS Series), EXC. Factory Air
68-77 Chevelle See Drawings p.86-103		
Part Number	Rows	Core Size
6-00006	2	28.38W x 18.53L x 2.68T
Combo Unit # CU-00006	Tube Size	In Tank Cooler
	1.25"	No
	Outlets	Notes
	TL/BR	GM "A" & "G" Body +
Part Number	Rows	Core Size
6-00007	2	26.38W x 18.53L x 2.68T
Combo Unit # CU-00007	Tube Size	In Tank Cooler
	1.25"	No
	Outlets	Notes
	TL/BR	GM "A" & "G" Body +
Part Number	Rows	Core Size
6-70006	2	28.38W x 18.53L x 2.68T
Combo Unit # CU-70006	Tube Size	In Tank Cooler
	1.25"	Yes
	Outlets	Notes
	TL/BR	GM "A" & "G" Body +
Part Number	Rows	Core Size
6-70007	2	26.38W x 18.53L x 2.68T
Combo Unit # CU-70007	Tube Size	In Tank Cooler
	1.25"	Yes
	Outlets	Notes
	TL/BR	GM "A" & "G" Body +
55-60 Corvette See Drawings p.86-103		
Part Number	Rows	Core Size
6-00059	2	13.75W x 23.04L x 2.68T
Combo Unit # CU-00059	Tube Size	In Tank Cooler
	1.25"	No
	Outlets	Notes
	TL/BR	Corvette V8 (EXC. Late-model LT & LS)

Part Number	Rows	Core Size
6-70059	2	13.75W x 23.04L x 2.68T
Combo Unit # CU-70059	Tube Size	In Tank Cooler
	1.25"	Yes
	Outlets	Notes
	TL/BR	Corvette V8 (EXC. Late-model LT & LS)
61-62 Corvette See Drawings p.86-103		
Part Number	Rows	Core Size
6-00064	2	17.75W x 16.75L x 2.68T
Combo Unit # CU-00064	Tube Size	In Tank Cooler
	1.25"	No
	Outlets	Notes
	TL/BR	GM V8 (EXC. Latemodel LT & LS)
Part Number	Rows	Core Size
6-70064	2	17.75W x 16.75L x 2.68T
Combo Unit # CU-70064	Tube Size	In Tank Cooler
	1.25"	Yes
	Outlets	Notes
	TL/BR	GM V8 (EXC. Latemodel LT & LS)
63-68 Corvette See Drawings p.86-103		
Part Number	Rows	Core Size
6-00061	2	18.00W x 16.75L x 2.68T
Combo Unit # CU-00061	Tube Size	In Tank Cooler
	1.25"	No
	Outlets	Notes
	TL/BR	Factory Small Block and GM V8 (EXC. Latemodel LT & LS)
Part Number	Rows	Core Size
6-70061	2	18.00W x 16.75L x 2.68T
Combo Unit # CU-70061	Tube Size	In Tank Cooler
	1.25"	Yes
	Outlets	Notes
	TL/BR	Factory Small Block and GM V8 (EXC. Latemodel LT & LS)
66-68 Corvette See Drawings p.86-103		
Part Number	Rows	Core Size
6-00063	2	22.50W x 18.63L x 2.68T
Combo Unit # CU-00063	Tube Size	In Tank Cooler
	1.25"	No
	Outlets	Notes
	TL/BR	GM V8 (EXC. Latemodel LT & LS)
Part Number	Rows	Core Size
6-70063	2	22.50W x 18.63L x 2.68T
Combo Unit # CU-70063	Tube Size	In Tank Cooler
	1.25"	Yes
	Outlets	Notes
	TL/BR	GM V8 (EXC. Latemodel LT & LS)

69-76 Corvette See Drawings p.86-103		
Part Number	Rows	Core Size
6-00067	2	27.50W x 18.48L x 2.68T
Combo Unit # CU-00067	Tube Size	In Tank Cooler
	1.25"	No
	Outlets	Notes
	TL/BR	GM V8 (EXC. Latemodel LT & LS)
Part Number	Rows	Core Size
6-70067	2	27.50W x 18.48L x 2.68T
Combo Unit # CU-70067	Tube Size	In Tank Cooler
	1.25"	Yes
	Outlets	Notes
	TL/BR	GM V8 (EXC. Latemodel LT & LS)
77-82 Corvette See Drawings p.86-103		
Part Number	Rows	Core Size
6-00066	2	26.38W x 18.48L x 2.68T
Combo Unit # CU-00066	Tube Size	In Tank Cooler
	1.25"	No
	Outlets	Notes
	TL/BR	GM V8 (EXC. Latemodel LT & LS)
Part Number	Rows	Core Size
6-70066	2	26.38W x 18.48L x 2.68T
Combo Unit # CU-70066	Tube Size	In Tank Cooler
	1.25"	Yes
	Outlets	Notes
	TL/BR	GM V8 (EXC. Latemodel LT & LS)
68-87 Elcamino See Drawings p.86-103		
Part Number	Rows	Core Size
6-00006	2	28.38W x 18.53L x 2.68T
Combo Unit # CU-00006	Tube Size	In Tank Cooler
	1.25"	No
	Outlets	Notes
	TL/BR	GM "A" & "G" Body +
Part Number	Rows	Core Size
6-00007	2	26.38W x 18.53L x 2.68T
Combo Unit # CU-00007	Tube Size	In Tank Cooler
	1.25"	No
	Outlets	Notes
	TL/BR	GM "A" & "G" Body +
Part Number	Rows	Core Size
6-70006	2	28.38W x 18.53L x 2.68T
Combo Unit # CU-70006	Tube Size	In Tank Cooler
	1.25"	Yes
	Outlets	Notes
	TL/BR	GM "A" & "G" Body +

Part Number	Rows	Core Size
6-70007	2	26.38W x 18.53L x 2.68T
Combo Unit # CU-70007	Tube Size	In Tank Cooler
	1.25"	Yes
	Outlets	Notes
	TL/BR	GM "A" & "G" Body +
59-64 Impala See Drawings p.86-103		
Part Number	Rows	Core Size
6-00109	2	17.38W x 25.50L x 2.68T
Combo Unit # CU-00109	Tube Size	In Tank Cooler
	1.25"	No
	Outlets	Notes
	TR/BR	GM Early Outlets
Part Number	Rows	Core Size
6-00110	2	15.50W x 23.50L x 2.68T
Combo Unit # CU-00110	Tube Size	In Tank Cooler
	1.25"	No
	Outlets	Notes
	TR/BR	GM Early Outlets
Part Number	Rows	Core Size
6-00111	2	15.50W x 25.50L x 2.68T
Combo Unit # CU-00111	Tube Size	In Tank Cooler
	1.25"	No
	Outlets	Notes
	TR/BR	GM Early Outlets
Part Number	Rows	Core Size
6-70109	2	17.38W x 25.50L x 2.68T
Combo Unit # CU-70109	Tube Size	In Tank Cooler
	1.25"	Yes
	Outlets	Notes
	TR/BR	GM Early Outlets
Part Number	Rows	Core Size
6-70110	2	15.50W x 23.50L x 2.68T
Combo Unit # CU-70110	Tube Size	In Tank Cooler
	1.25"	Yes
	Outlets	Notes
	TR/BR	GM Early Outlets
Part Number	Rows	Core Size
6-70111	2	15.50W x 25.50L x 2.68T
Combo Unit # CU-70111	Tube Size	In Tank Cooler
	1.25"	Yes
	Outlets	Notes
	TR/BR	GM Early Outlets

Does an internal transmission cooler work better than an external transcooler?
 Both work fine if properly sized and properly installed.

18 DOMESTIC CARS

EXACT FIT

61-64 Impala See Drawings p.86-103		
Part Number	Rows	Core Size
6-00108	2	17.38W x 25.50L x 2.68T
Combo Unit # CU-00108	Tube Size	In Tank Cooler
	1.25"	No
	Outlets	Notes
	TR/BR	GM Early Outlets, Special (409)
Part Number	Rows	Core Size
6-70108	2	17.38W x 25.50L x 2.68T
Combo Unit # CU-70108	Tube Size	In Tank Cooler
	1.25"	Yes
	Outlets	Notes
	TR/BR	GM Early Outlets, Special (409)
65 Impala See Drawings p.86-103		
Part Number	Rows	Core Size
6-00107	2	17.00W x 25.50L x 2.68T
Combo Unit # CU-00107	Tube Size	In Tank Cooler
	1.25"	No
	Outlets	Notes
	TR/BR	GM Early Outlets
Part Number	Rows	Core Size
6-70107	2	17.00W x 25.50L x 2.68T
Combo Unit # CU-70107	Tube Size	In Tank Cooler
	1.25"	Yes
	Outlets	Notes
	TR/BR	GM Early Outlets
66-68 Impala See Drawings p.86-103		
Part Number	Rows	Core Size
6-00106	2	17.00W x 25.50L x 2.68T
Combo Unit # CU-00106	Tube Size	In Tank Cooler
	1.25"	No
	Outlets	Notes
	TL/BR	GM ALL (EXC. Latemod-el LT & LS)
Part Number	Rows	Core Size
6-70106	2	17.00W x 25.50L x 2.68T
Combo Unit # CU-70106	Tube Size	In Tank Cooler
	1.25"	Yes
	Outlets	Notes
	TL/BR	GM ALL (EXC. Latemod-el LT & LS)
69-70 Impala See Drawings p.86-103		
Part Number	Rows	Core Size
6-00112	2	17.38W x 25.50L x 2.68T
Combo Unit # CU-00112	Tube Size	In Tank Cooler
	1.25"	No
	Outlets	Notes
	TL/BR	GM ALL (EXC. Latemod-el LT & LS)

Part Number	Rows	Core Size
6-70112	2	17.38W x 25.50L x 2.68T
Combo Unit # CU-70112	Tube Size	In Tank Cooler
	1.25"	Yes
	Outlets	Notes
	TL/BR	GM ALL (EXC. Latemod-el LT & LS) TOC Mod Required
71-90 Impala See Drawings p.86-103		
Part Number	Rows	Core Size
6-00006	2	28.38W x 18.53L x 2.68T
Combo Unit # CU-00006	Tube Size	In Tank Cooler
	1.25"	No
	Outlets	Notes
	TL/BR	GM "A" & "G" Body +
Part Number	Rows	Core Size
6-00007	2	26.38W x 18.53L x 2.68T
Combo Unit # CU-00007	Tube Size	In Tank Cooler
	1.25"	No
	Outlets	Notes
	TL/BR	GM "A" & "G" Body +
Part Number	Rows	Core Size
6-70006	2	28.38W x 18.53L x 2.68T
Combo Unit # CU-70006	Tube Size	In Tank Cooler
	1.25"	Yes
	Outlets	Notes
	TL/BR	GM "A" & "G" Body +
Part Number	Rows	Core Size
6-70007	2	26.38W x 18.53L x 2.68T
Combo Unit # CU-70007	Tube Size	In Tank Cooler
	1.25"	Yes
	Outlets	Notes
	TL/BR	GM "A" & "G" Body +
69-70 Kingswood See Drawings p.86-103		
Part Number	Rows	Core Size
6-00112	2	17.38W x 25.50L x 2.68T
Combo Unit # CU-00112	Tube Size	In Tank Cooler
	1.25"	No
	Outlets	Notes
	TL/BR	GM ALL (EXC. Latemod-el LT & LS)
Part Number	Rows	Core Size
6-70112	2	17.38W x 25.50L x 2.68T
Combo Unit # CU-70112	Tube Size	In Tank Cooler
	1.25"	Yes
	Outlets	Notes
	TL/BR	GM ALL (EXC. Latemod-el LT & LS) TOC Mod Required

71-72 Kingswood			See Drawings p.86-103
Part Number	Rows	Core Size	
6-00006	2	28.38W x 18.53L x 2.68T	
Combo Unit # CU-00006	Tube Size	In Tank Cooler	
	1.25"	No	
	Outlets	Notes	
	TL/BR	GM "A" & "G" Body +	
Part Number	Rows	Core Size	
6-00007	2	26.38W x 18.53L x 2.68T	
Combo Unit # CU-00007	Tube Size	In Tank Cooler	
	1.25"	No	
	Outlets	Notes	
	TL/BR	GM "A" & "G" Body +	
Part Number	Rows	Core Size	
6-70006	2	28.38W x 18.53L x 2.68T	
Combo Unit # CU-70006	Tube Size	In Tank Cooler	
	1.25"	Yes	
	Outlets	Notes	
	TL/BR	GM "A" & "G" Body +	
Part Number	Rows	Core Size	
6-70007	2	26.38W x 18.53L x 2.68T	
Combo Unit # CU-70007	Tube Size	In Tank Cooler	
	1.25"	Yes	
	Outlets	Notes	
	TL/BR	GM "A" & "G" Body +	

75-76 Laguna			See Drawings p.86-103
Part Number	Rows	Core Size	
6-00006	2	28.38W x 18.53L x 2.68T	
Combo Unit # CU-00006	Tube Size	In Tank Cooler	
	1.25"	No	
	Outlets	Notes	
	TL/BR	GM "A" & "G" Body +	
Part Number	Rows	Core Size	
6-00007	2	26.38W x 18.53L x 2.68T	
Combo Unit # CU-00007	Tube Size	In Tank Cooler	
	1.25"	No	
	Outlets	Notes	
	TL/BR	GM "A" & "G" Body +	
Part Number	Rows	Core Size	
6-70006	2	28.38W x 18.53L x 2.68T	
Combo Unit # CU-70006	Tube Size	In Tank Cooler	
	1.25"	Yes	
	Outlets	Notes	
	TL/BR	GM "A" & "G" Body +	
Part Number	Rows	Core Size	
6-70007	2	26.38W x 18.53L x 2.68T	
Combo Unit # CU-70007	Tube Size	In Tank Cooler	
	1.25"	Yes	
	Outlets	Notes	
	TL/BR	GM "A" & "G" Body +	

68-80 Malibu			See Drawings p.86-103
Part Number	Rows	Core Size	
6-00006	2	28.38W x 18.53L x 2.68T	
Combo Unit # CU-00006	Tube Size	In Tank Cooler	
	1.25"	No	
	Outlets	Notes	
	TL/BR	GM "A" & "G" Body +	
Part Number	Rows	Core Size	
6-00007	2	26.38W x 18.53L x 2.68T	
Combo Unit # CU-00007	Tube Size	In Tank Cooler	
	1.25"	No	
	Outlets	Notes	
	TL/BR	GM "A" & "G" Body +	
Part Number	Rows	Core Size	
6-70006	2	28.38W x 18.53L x 2.68T	
Combo Unit # CU-70006	Tube Size	In Tank Cooler	
	1.25"	Yes	
	Outlets	Notes	
	TL/BR	GM "A" & "G" Body +	
Part Number	Rows	Core Size	
6-70007	2	26.38W x 18.53L x 2.68T	
Combo Unit # CU-70007	Tube Size	In Tank Cooler	
	1.25"	Yes	
	Outlets	Notes	
	TL/BR	GM "A" & "G" Body +	

68-83 Malibu			See Drawings p.86-103
Part Number	Rows	Core Size	
6-00006	2	28.38W x 18.53L x 2.68T	
Combo Unit # CU-00006	Tube Size	In Tank Cooler	
	1.25"	No	
	Outlets	Notes	
	TL/BR	GM "A" & "G" Body +	
Part Number	Rows	Core Size	
6-00007	2	26.38W x 18.53L x 2.68T	
Combo Unit # CU-00007	Tube Size	In Tank Cooler	
	1.25"	No	
	Outlets	Notes	
	TL/BR	GM "A" & "G" Body +	
Part Number	Rows	Core Size	
6-70006	2	28.38W x 18.53L x 2.68T	
Combo Unit # CU-70006	Tube Size	In Tank Cooler	
	1.25"	Yes	
	Outlets	Notes	
	TL/BR	GM "A" & "G" Body +	
Part Number	Rows	Core Size	
6-70007	2	26.38W x 18.53L x 2.68T	
Combo Unit # CU-70007	Tube Size	In Tank Cooler	
	1.25"	Yes	
	Outlets	Notes	
	TL/BR	GM "A" & "G" Body +	

70-88 Monte Carlo See Drawings p.86-103		
Part Number	Rows	Core Size
6-00006	2	28.38W x 18.53L x 2.68T
Combo Unit # CU-00006	Tube Size	In Tank Cooler
	1.25"	No
	Outlets	Notes
	TL/BR	GM "A" & "G" Body +
Part Number	Rows	Core Size
6-00007	2	26.38W x 18.53L x 2.68T
Combo Unit # CU-00007	Tube Size	In Tank Cooler
	1.25"	No
	Outlets	Notes
	TL/BR	GM "A" & "G" Body +
Part Number	Rows	Core Size
6-70006	2	28.38W x 18.53L x 2.68T
Combo Unit # CU-70006	Tube Size	In Tank Cooler
	1.25"	Yes
	Outlets	Notes
	TL/BR	GM "A" & "G" Body +
Part Number	Rows	Core Size
6-70007	2	26.38W x 18.53L x 2.68T
Combo Unit # CU-70007	Tube Size	In Tank Cooler
	1.25"	Yes
	Outlets	Notes
	TL/BR	GM "A" & "G" Body +
63-67 Nova / Chevy 2 See Drawings p.86-103		
Part Number	Rows	Core Size
6-00055	2	15.50W x 25.50L x 2.68T
Combo Unit # CU-00055	Tube Size	In Tank Cooler
	1.25"	No
	Outlets	Notes
	TL/BR	V8 GM (EXC. Late Model LT & LS Series), EXC. Factory Air
Part Number	Rows	Core Size
6-70055	2	15.50W x 25.50L x 2.68T
Combo Unit # CU-70055	Tube Size	In Tank Cooler
	1.25"	Yes
	Outlets	Notes
	TL/BR	V8 GM (EXC. Late Model LT & LS Series), EXC. Factory Air
68-79 Nova See Drawings p.86-103		
Part Number	Rows	Core Size
6-00006	2	28.38W x 18.53L x 2.68T
Combo Unit # CU-00006	Tube Size	In Tank Cooler
	1.25"	No
	Outlets	Notes
	TL/BR	GM "A" & "G" Body +

Part Number	Rows	Core Size
6-00007	2	26.38W x 18.53L x 2.68T
Combo Unit # CU-00007	Tube Size	In Tank Cooler
	1.25"	No
	Outlets	Notes
	TL/BR	GM "A" & "G" Body +
Part Number	Rows	Core Size
6-70006	2	28.38W x 18.53L x 2.68T
Combo Unit # CU-70006	Tube Size	In Tank Cooler
	1.25"	Yes
	Outlets	Notes
	TL/BR	GM "A" & "G" Body +
Part Number	Rows	Core Size
6-70007	2	26.38W x 18.53L x 2.68T
Combo Unit # CU-70007	Tube Size	In Tank Cooler
	1.25"	Yes
	Outlets	Notes
	TL/BR	GM "A" & "G" Body +
69-70 Townsman See Drawings p.86-103		
Part Number	Rows	Core Size
6-00112	2	17.38W x 25.50L x 2.68T
Combo Unit # CU-00112	Tube Size	In Tank Cooler
	1.25"	No
	Outlets	Notes
	TL/BR	GM ALL (EXC. Latemod-el LT & LS)
Part Number	Rows	Core Size
6-70112	2	17.38W x 25.50L x 2.68T
Combo Unit # CU-70112	Tube Size	In Tank Cooler
	1.25"	Yes
	Outlets	Notes
	TL/BR	GM ALL (EXC. Latemod-el LT & LS) TOC Mod Required

WHAT IS ELECTROLYSIS?

Electrolysis is the result of electricity flowing through your cooling system and causing an electrochemical charge across the aluminum. This results in rapid corrosion and severe damage to the components in your cooling system including discoloration, pitting, flaking, and pinholes. Most common in late model vehicles, hot rods and street rods, electrolysis will usually occur if there is a defective or missing ground on one of the numerous potential electrical sources.

CHRYSLER

66-70 300 See Drawings p.86-103

Part Number	Rows	Core Size
5-00012	2	17.38W x 25.50L x 2.68T
Combo Unit # CU-00012	Tube Size	In Tank Cooler
	1.25"	No
	Outlets	Notes
	TR/BL	Big Block Mopar "C" Body All
Part Number	Rows	Core Size
5-00026	2	17.38W x 25.50L x 2.68T
Combo Unit # CU-00026	Tube Size	In Tank Cooler
	1.25"	No
	Outlets	Notes
	TR/BL	Small Block Mopar "C" Body All
Part Number	Rows	Core Size
5-70012	2	17.38W x 25.50L x 2.68T
Combo Unit # CU-70012	Tube Size	In Tank Cooler
	1.25"	Yes
	Outlets	Notes
	TR/BL	Big Block Mopar "C" Body All
Part Number	Rows	Core Size
5-70026	2	17.38W x 25.50L x 2.68T
Combo Unit # CU-70026	Tube Size	In Tank Cooler
	1.25"	Yes
	Outlets	Notes
	TR/BL	Small Block Mopar "C" Body All
75-78 Cordoba See Drawings p.86-103		
Part Number	Rows	Core Size
5-00069	2	18.75W x 28.25L x 2.68T
Combo Unit # CU-00069	Tube Size	In Tank Cooler
	1.25"	No
	Outlets	Notes
	TL/BR	Small Block Mopar "B" Body All
Part Number	Rows	Core Size
5-00070	2	18.75W x 28.25L x 2.68T
Combo Unit # CU-00070	Tube Size	In Tank Cooler
	1.25"	No
	Outlets	Notes
	TR/BR	Big Block Mopar "B" Body All
Part Number	Rows	Core Size
5-70069	2	18.75W x 28.25L x 2.68T
Combo Unit # CU-70069	Tube Size	In Tank Cooler
	1.25"	Yes
	Outlets	Notes
	TL/BR	Small Block Mopar "B" Body All

Part Number	Rows	Core Size
5-70070	2	18.75W x 28.25L x 2.68T
Combo Unit # CU-70070	Tube Size	In Tank Cooler
	1.25"	Yes
	Outlets	Notes
	TR/BR	Small Block Mopar "B" Body All
80-83 Cordoba See Drawings p.86-103		
Part Number	Rows	Core Size
5-00033	1	18.00W x 26.38L x 1.50T
Combo Unit # CU-00033	Tube Size	In Tank Cooler
	1.5"	No
	Outlets	Notes
	TL/BR	Small Block Mopar "F" Body All
Part Number	Rows	Core Size
5-70033	1	18.00W x 26.38L x 1.50T
Combo Unit # CU-70033	Tube Size	In Tank Cooler
	1.5"	Yes
	Outlets	Notes
	TL/BR	Small Block Mopar "F" Body All
83-89 Fifth Avenue See Drawings p.86-103		
Part Number	Rows	Core Size
5-00033	1	18.00W x 26.38L x 1.50T
Combo Unit # CU-00033	Tube Size	In Tank Cooler
	1.5"	No
	Outlets	Notes
	TL/BR	Small Block Mopar "F" Body All
Part Number	Rows	Core Size
5-70033	1	18.00W x 26.38L x 1.50T
Combo Unit # CU-70033	Tube Size	In Tank Cooler
	1.5"	Yes
	Outlets	Notes
	TL/BR	Small Block Mopar "F" Body All
66-70 Imperial See Drawings p.86-103		
Part Number	Rows	Core Size
5-00012	2	17.38W x 25.50L x 2.68T
Combo Unit # CU-00012	Tube Size	In Tank Cooler
	1.25"	No
	Outlets	Notes
	TR/BL	Big Block Mopar "C" Body All
Part Number	Rows	Core Size
5-00026	2	17.38W x 25.50L x 2.68T
Combo Unit # CU-00026	Tube Size	In Tank Cooler
	1.25"	No
	Outlets	Notes
Continue to next page	TR/BL	Small Block Mopar "C" Body All

22 DOMESTIC CARS

EXACT FIT

Part Number	Rows	Core Size
5-70012	2	17.38W x 25.50L x 2.68T
Combo Unit # CU-70012	Tube Size	In Tank Cooler
	1.25"	Yes
	Outlets	Notes
	TR/BL	Big Block Mopar "C" Body All
Part Number	Rows	Core Size
5-70026	2	17.38W x 25.50L x 2.68T
Combo Unit # CU-70026	Tube Size	In Tank Cooler
	1.25"	Yes
	Outlets	Notes
	TR/BL	Small Block Mopar "C" Body All
74-75 Imperial See Drawings p.86-103		
Part Number	Rows	Core Size
5-00021	2	19.75W x 27.88L x 2.68T
Combo Unit # CU-00021	Tube Size	In Tank Cooler
	1.25"	No
	Outlets	Notes
	TL/BR	Mopar "B" Body Big Block
Part Number	Rows	Core Size
5-70021	2	19.75W x 27.88L x 2.68T
Combo Unit # CU-70021	Tube Size	In Tank Cooler
	1.25"	Yes
	Outlets	Notes
	TL/BR	Mopar "B" Body Big Block
81-83 Imperial See Drawings p.86-103		
Part Number	Rows	Core Size
5-00033	1	18.00W x 26.38L x 1.50T
Combo Unit # CU-00033	Tube Size	In Tank Cooler
	1.5"	No
	Outlets	Notes
	TL/BR	Small Block Mopar "F" Body All
Part Number	Rows	Core Size
5-70033	1	18.00W x 26.38L x 1.50T
Combo Unit # CU-70033	Tube Size	In Tank Cooler
	1.5"	Yes
	Outlets	Notes
	TL/BR	Small Block Mopar "F" Body All
77-81 Lebaron See Drawings p.86-103		
Part Number	Rows	Core Size
5-00033	1	18.00W x 26.38L x 1.50T
Combo Unit # CU-00033	Tube Size	In Tank Cooler
	1.5"	No
	Outlets	Notes
	TL/BR	Small Block Mopar "F" Body All

Part Number	Rows	Core Size
5-70033	1	18.00W x 26.38L x 1.50T
Combo Unit # CU-70033	Tube Size	In Tank Cooler
	1.5"	Yes
	Outlets	Notes
	TL/BR	Small Block Mopar "F" Body All
66-70 New Yorker See Drawings p.86-103		
Part Number	Rows	Core Size
5-00012	2	17.38W x 25.50L x 2.68T
Combo Unit # CU-00012	Tube Size	In Tank Cooler
	1.25"	No
	Outlets	Notes
	TR/BL	Big Block Mopar "C" Body All
Part Number	Rows	Core Size
5-00026	2	17.38W x 25.50L x 2.68T
Combo Unit # CU-00026	Tube Size	In Tank Cooler
	1.25"	No
	Outlets	Notes
	TR/BL	Small Block Mopar "C" Body All
Part Number	Rows	Core Size
5-70012	2	17.38W x 25.50L x 2.68T
Combo Unit # CU-70012	Tube Size	In Tank Cooler
	1.25"	Yes
	Outlets	Notes
	TR/BL	Big Block Mopar "C" Body All
Part Number	Rows	Core Size
5-70026	2	17.38W x 25.50L x 2.68T
Combo Unit # CU-70026	Tube Size	In Tank Cooler
	1.25"	Yes
	Outlets	Notes
	TR/BL	Small Block Mopar "C" Body All
74-78 New Yorker See Drawings p.86-103		
Part Number	Rows	Core Size
5-00021	2	19.75W x 27.88L x 2.68T
Combo Unit # CU-00021	Tube Size	In Tank Cooler
	1.25"	No
	Outlets	Notes
	TL/BR	Mopar "B" Body Big Block
Part Number	Rows	Core Size
5-70021	2	19.75W x 27.88L x 2.68T
Combo Unit # CU-70021	Tube Size	In Tank Cooler
	1.25"	Yes
	Outlets	Notes
	TL/BR	Mopar "B" Body Big Block

66-70 Newport			See Drawings p.86-103
Part Number	Rows	Core Size	
5-00012	2	17.38W x 25.50L x 2.68T	
Combo Unit # CU-00012	Tube Size	In Tank Cooler	
	1.25"	No	
	Outlets	Notes	
	TR/BL	Big Block Mopar "C" Body All	
Part Number	Rows	Core Size	
5-00026	2	17.38W x 25.50L x 2.68T	
Combo Unit # CU-00026	Tube Size	In Tank Cooler	
	1.25"	No	
	Outlets	Notes	
	TR/BL	Small Block Mopar "C" Body All	
Part Number	Rows	Core Size	
5-70012	2	17.38W x 25.50L x 2.68T	
Combo Unit # CU-70012	Tube Size	In Tank Cooler	
	1.25"	Yes	
	Outlets	Notes	
	TR/BL	Big Block Mopar "C" Body All	
Part Number	Rows	Core Size	
5-70026	2	17.38W x 25.50L x 2.68T	
Combo Unit # CU-70026	Tube Size	In Tank Cooler	
	1.25"	Yes	
	Outlets	Notes	
	TR/BL	Small Block Mopar "C" Body All	
74-78 Newport			See Drawings p.86-103
Part Number	Rows	Core Size	
5-00021	2	19.75W x 27.88L x 2.68T	
Combo Unit # CU-00021	Tube Size	In Tank Cooler	
	1.25"	No	
	Outlets	Notes	
	TL/BR	Mopar "B" Body Big Block	
Part Number	Rows	Core Size	
5-70021	2	19.75W x 27.88L x 2.68T	
Combo Unit # CU-70021	Tube Size	In Tank Cooler	
	1.25"	Yes	
	Outlets	Notes	
	TL/BR	Mopar "B" Body Big Block	
81- Newport			See Drawings p.86-103
Part Number	Rows	Core Size	
5-00033	1	18.00W x 26.38L x 1.50T	
Combo Unit # CU-00033	Tube Size	In Tank Cooler	
	1.5"	No	
	Outlets	Notes	
	TL/BR	Small Block Mopar "F" Body All	

Part Number	Rows	Core Size	
5-70033	1	18.00W x 26.38L x 1.50T	
Combo Unit # CU-70033	Tube Size	In Tank Cooler	
	1.5"	Yes	
	Outlets	Notes	
	TL/BR	Small Block Mopar "F" Body All	
66-70 Town & County			See Drawings p.86-103
Part Number	Rows	Core Size	
5-00012	2	17.38W x 25.50L x 2.68T	
Combo Unit # CU-00012	Tube Size	In Tank Cooler	
	1.25"	No	
	Outlets	Notes	
	TR/BL	Big Block Mopar "C" Body All	
Part Number	Rows	Core Size	
5-00026	2	17.38W x 25.50L x 2.68T	
Combo Unit # CU-00026	Tube Size	In Tank Cooler	
	1.25"	No	
	Outlets	Notes	
	TR/BL	Small Block Mopar "C" Body All	
Part Number	Rows	Core Size	
5-70012	2	17.38W x 25.50L x 2.68T	
Combo Unit # CU-70012	Tube Size	In Tank Cooler	
	1.25"	Yes	
	Outlets	Notes	
	TR/BL	Big Block Mopar "C" Body All	
Part Number	Rows	Core Size	
5-70026	2	17.38W x 25.50L x 2.68T	
Combo Unit # CU-70026	Tube Size	In Tank Cooler	
	1.25"	Yes	
	Outlets	Notes	
	TR/BL	Big Block Mopar "C" Body All	
Part Number	Rows	Core Size	
5-70012	2	17.38W x 25.50L x 2.68T	
Combo Unit # CU-70012	Tube Size	In Tank Cooler	
	1.25"	Yes	
	Outlets	Notes	
	TR/BL	Big Block Mopar "C" Body All	
Part Number	Rows	Core Size	
5-70026	2	17.38W x 25.50L x 2.68T	
Combo Unit # CU-70026	Tube Size	In Tank Cooler	
	1.25"	Yes	
	Outlets	Notes	
	TR/BL	Small Block Mopar "C" Body All	
74-78 Town & County			See Drawings p.86-103
Part Number	Rows	Core Size	
5-00021	2	19.75W x 27.88L x 2.68T	
Combo Unit # CU-00021	Tube Size	In Tank Cooler	
	1.25"	No	
	Outlets	Notes	
	TL/BR	Mopar "B" Body Big Block	
Part Number	Rows	Core Size	
5-70021	2	19.75W x 27.88L x 2.68T	
Combo Unit # CU-70021	Tube Size	In Tank Cooler	
	1.25"	Yes	
	Outlets	Notes	
	TL/BR	Mopar "B" Body Big Block	

70-73 Valiant See Drawings p.86-103

Part Number	Rows	Core Size
5-00023	2	17.00W x 18.57L x 2.68T
Combo Unit # CU-00023	Tube Size	In Tank Cooler
	1.25"	No
	Outlets	Notes
	TR/BR	Mopar "A" Body L6
Part Number	Rows	Core Size
5-70023	2	17.00W x 18.57L x 2.68T
Combo Unit # CU-70023	Tube Size	In Tank Cooler
	1.25"	Yes
	Outlets	Notes
	TR/BR	Mopar "A" Body L6

74-76 Valiant See Drawings p.86-103

Part Number	Rows	Core Size
5-00020	2	18.00W x 22.00L x 2.68T
Combo Unit # CU-00020	Tube Size	In Tank Cooler
	1.25"	No
	Outlets	Notes
	TL/BR	Mopar "A" & "F" Body large 6 cylinder HD
Part Number	Rows	Core Size
5-70020	2	18.00W x 22.00L x 2.68T
Combo Unit # CU-70020	Tube Size	In Tank Cooler
	1.25"	Yes
	Outlets	Notes
	TL/BR	Mopar "A" & "F" Body large 6 cylinder HD

DODGE

76-77 Aspen See Drawings p.86-103

Part Number	Rows	Core Size
5-00020	2	18.00W x 22.00L x 2.68T
Combo Unit # CU-00020	Tube Size	In Tank Cooler
	1.25"	No
	Outlets	Notes
	TL/BR	Mopar "A" & "F" Body large 6 cylinder HD
Part Number	Rows	Core Size
5-70020	2	18.00W x 22.00L x 2.68T
Combo Unit # CU-70020	Tube Size	In Tank Cooler
	1.25"	Yes
	Outlets	Notes
	TL/BR	Mopar "A" & "F" Body large 6 cylinder HD

76-80 Aspen See Drawings p.86-103

Part Number	Rows	Core Size
5-00033	1	18.00W x 26.38L x 1.50T
Combo Unit # CU-00033	Tube Size	In Tank Cooler
	1.5"	No
	Outlets	Notes
	TL/BR	Small Block Mopar "F" Body All
Part Number	Rows	Core Size
5-70033	1	18.00W x 26.38L x 1.50T
Combo Unit # CU-70033	Tube Size	In Tank Cooler
	1.5"	Yes
	Outlets	Notes
	TL/BR	Small Block Mopar "F" Body All

70-74 Challenger Rallye See Drawings p.86-103

Part Number	Rows	Core Size
5-00028	2	18.00W x 21.88L x 2.68T
Combo Unit # CU-00028	Tube Size	In Tank Cooler
	1.25"	No
	Outlets	Notes
	TL/BL	Mopar "B" & "E" Body Big Block
Part Number	Rows	Core Size
5-00043	2	18.00W x 21.88L x 2.68T
Combo Unit # CU-00043	Tube Size	In Tank Cooler
	1.25"	No
	Outlets	Notes
	TL/BR	Mopar "B" & "E" Late Model V8 & OEM L6
Part Number	Rows	Core Size
5-00044	2	18.00W x 21.88L x 2.68T
Combo Unit # CU-00044	Tube Size	In Tank Cooler
	1.25"	No
	Outlets	Notes
	TR/BR	Mopar "B" & "E" OEM L6
Part Number	Rows	Core Size
5-70028	2	18.00W x 21.88L x 2.68T
Combo Unit # CU-70028	Tube Size	In Tank Cooler
	1.25"	Yes
	Outlets	Notes
	TL/BL	Mopar "B" & "E" Body Big Block
Part Number	Rows	Core Size
5-70043	2	18.00W x 21.88L x 2.68T
Combo Unit # CU-70043	Tube Size	In Tank Cooler
	1.25"	Yes
	Outlets	Notes
	TL/BR	Mopar "B" & "E" Late Model V8 & OEM L6

Part Number	Rows	Core Size
5-70044	2	18.00W x 21.88L x 2.68T
Combo Unit # CU-70044	Tube Size	In Tank Cooler
	1.25"	Yes
	Outlets	Notes
	TR/BR	Mopar "B" & "E" OEM L6
70-74 Challenger & R/T & T/A		See Drawings p.86-103
Part Number	Rows	Core Size
5-00022	2	18.00W x 18.57L x 2.68T
Combo Unit # CU-00022	Tube Size	In Tank Cooler
	1.25"	No
	Outlets	Notes
	TL/BR	Mopar "B" & "E" Body Small Core Small Block
Part Number	Rows	Core Size
5-00028	2	18.00W x 21.88L x 2.68T
Combo Unit # CU-00028	Tube Size	In Tank Cooler
	1.25"	No
	Outlets	Notes
	TL/BL	Mopar "B" & "E" Body Big Block
Part Number	Rows	Core Size
5-00043	2	18.00W x 21.88L x 2.68T
Combo Unit # CU-00043	Tube Size	In Tank Cooler
	1.25"	No
	Outlets	Notes
	TL/BR	Mopar "B" & "E" Late Model V8 & OEM L6
Part Number	Rows	Core Size
5-00044	2	18.00W x 21.88L x 2.68T
Combo Unit # CU-00044	Tube Size	In Tank Cooler
	1.25"	No
	Outlets	Notes
	TR/BR	Mopar "B" & "E" OEM L6
Part Number	Rows	Core Size
5-00057	2	17.38W x 25.50L x 2.68T
Combo Unit # CU-00057	Tube Size	In Tank Cooler
	1.25"	No
	Outlets	Notes
	TL/BR	Small Block "E" Body Mopar with AC
Part Number	Rows	Core Size
5-00058	2	17.38W x 25.50L x 2.68T
Combo Unit # CU-00058	Tube Size	In Tank Cooler
	1.25"	No
	Outlets	Notes
	TR/BL	Big Block "E" Body Mopar with AC

Part Number	Rows	Core Size
5-70022	2	18.00W x 18.57L x 2.68T
Combo Unit # CU-70022	Tube Size	In Tank Cooler
	1.25"	Yes
	Outlets	Notes
	TL/BR	Mopar "B" & "E" Body Small Core Small Block
Part Number	Rows	Core Size
5-70028	2	18.00W x 21.88L x 2.68T
Combo Unit # CU-70028	Tube Size	In Tank Cooler
	1.25"	Yes
	Outlets	Notes
	TL/BL	Mopar "B" & "E" Body Big Block
Part Number	Rows	Core Size
5-70043	2	18.00W x 21.88L x 2.68T
Combo Unit # CU-70043	Tube Size	In Tank Cooler
	1.25"	Yes
	Outlets	Notes
	TL/BR	Mopar "B" & "E" Late Model V8 & OEM L6
Part Number	Rows	Core Size
5-70044	2	18.00W x 21.88L x 2.68T
Combo Unit # CU-70044	Tube Size	In Tank Cooler
	1.25"	Yes
	Outlets	Notes
	TR/BR	Mopar "B" & "E" OEM L6
Part Number	Rows	Core Size
5-70057	2	17.38W x 25.50L x 2.68T
Combo Unit # CU-70057	Tube Size	In Tank Cooler
	1.25"	Yes
	Outlets	Notes
	TL/BR	Small Block "E" Body Mopar with AC
Part Number	Rows	Core Size
5-70058	2	17.38W x 25.50L x 2.68T
Combo Unit # CU-70058	Tube Size	In Tank Cooler
	1.25"	Yes
	Outlets	Notes
	TR/BL	Big Block "E" Body Mopar with AC

Should I be using any kind of additive in the water to protect my aluminum radiator?

Griffin recommends a coolant that contains an aluminum protective additive.

66-69 Charger			See Drawings p.86-103
Part Number	Rows	Core Size	
5-00003	2	17.38W x 25.50L x 2.68T	
Combo Unit # CU-00003	Tube Size	In Tank Cooler	
	1.25"	No	
	Outlets	Notes	
	TL/BL	Small Block Mopar "B" Body All	
Part Number	Rows	Core Size	
5-00004	2	17.38W x 25.50L x 2.68T	
Combo Unit # CU-00004	Tube Size	In Tank Cooler	
	1.25"	No	
	Outlets	Notes	
	TR/BL	Big Block Mopar "B" Body All	
Part Number	Rows	Core Size	
5-00027	2	17.50W x 21.20L x 2.68T	
Combo Unit # CU-00027	Tube Size	In Tank Cooler	
	1.25"	No	
	Outlets	Notes	
	TL/BL	Small Block Mopar "B" Body All	
Part Number	Rows	Core Size	
5-70003	2	17.38W x 25.50L x 2.68T	
Combo Unit # CU-70003	Tube Size	In Tank Cooler	
	1.25"	No	
	Outlets	Notes	
	TL/BL	Small Block Mopar "B" Body All	
Part Number	Rows	Core Size	
5-70004	2	17.38W x 25.50L x 2.68T	
Combo Unit # CU-70004	Tube Size	In Tank Cooler	
	1.25"	No	
	Outlets	Notes	
	TR/BL	Big Block Mopar "B" Body All	
Part Number	Rows	Core Size	
5-70027	2	17.50W x 21.20L x 2.68T	
Combo Unit # CU-70027	Tube Size	In Tank Cooler	
	1.25"	No	
	Outlets	Notes	
	TL/BL	Small Block Mopar "B" Body All	
68-73 Charger			See Drawings p.86-103
Part Number	Rows	Core Size	
5-00028	2	18.00W x 21.88L x 2.68T	
Combo Unit # CU-00028	Tube Size	In Tank Cooler	
	1.25"	No	
	Outlets	Notes	
	TL/BL	Mopar "B" & "E" Body Big Block	

Part Number	Rows	Core Size	
5-00043	2	18.00W x 21.88L x 2.68T	
Combo Unit # CU-00043	Tube Size	In Tank Cooler	
	1.25"	No	
	Outlets	Notes	
	TL/BR	Mopar "B" & "E" Late Model V8 & OEM L6	
Part Number	Rows	Core Size	
5-00044	2	18.00W x 21.88L x 2.68T	
Combo Unit # CU-00044	Tube Size	In Tank Cooler	
	1.25"	No	
	Outlets	Notes	
	TR/BR	Mopar "B" & "E" OEM L6	
Part Number	Rows	Core Size	
5-70028	2	18.00W x 21.88L x 2.68T	
Combo Unit # CU-70028	Tube Size	In Tank Cooler	
	1.25"	Yes	
	Outlets	Notes	
	TL/BL	Mopar "B" & "E" Body Big Block	
Part Number	Rows	Core Size	
5-70043	2	18.00W x 21.88L x 2.68T	
Combo Unit # CU-70043	Tube Size	In Tank Cooler	
	1.25"	Yes	
	Outlets	Notes	
	TL/BR	Mopar "B" & "E" Late Model V8 & OEM L6	
Part Number	Rows	Core Size	
5-70044	2	18.00W x 21.88L x 2.68T	
Combo Unit # CU-70044	Tube Size	In Tank Cooler	
	1.25"	Yes	
	Outlets	Notes	
	TR/BR	Mopar "B" & "E" OEM L6	
70-73 Charger			See Drawings p.86-103
Part Number	Rows	Core Size	
5-00001	2	17.38W x 25.50L x 2.68T	
Combo Unit # CU-00001	Tube Size	In Tank Cooler	
	1.25"	No	
	Outlets	Notes	
	TL/BR	Small Block "B" Body Mopar with AC	
Part Number	Rows	Core Size	
5-00005	2	17.38W x 25.50L x 2.68T	
Combo Unit # CU-00005	Tube Size	In Tank Cooler	
	1.25"	No	
	Outlets	Notes	
	TR/BL	Big Block "B" Body Mopar	

Part Number	Rows	Core Size
5-00022	2	18.00W x 18.57L x 2.68T
Combo Unit # CU-00022	Tube Size	In Tank Cooler
	1.25"	No
	Outlets	Notes
	TL/BR	Mopar "B" & "E" Body Small Core Small Block
Part Number	Rows	Core Size
5-00045	2	17.38W x 25.50L x 2.68T
Combo Unit # CU-00045	Tube Size	In Tank Cooler
	1.25"	No
	Outlets	Notes
	TR/BR	Big Block "B" Body Mopar with AC
Part Number	Rows	Core Size
5-70001	2	17.38W x 25.50L x 2.68T
Combo Unit # CU-70001	Tube Size	In Tank Cooler
	1.25"	Yes
	Outlets	Notes
	TL/BR	Small Block "B" Body Mopar with AC
Part Number	Rows	Core Size
5-70005	2	17.38W x 25.50L x 2.68T
Combo Unit # CU-70005	Tube Size	In Tank Cooler
	1.25"	Yes
	Outlets	Notes
	TR/BL	Big Block "B" Body Mopar
Part Number	Rows	Core Size
5-70022	2	18.00W x 18.57L x 2.68T
Combo Unit # CU-70022	Tube Size	In Tank Cooler
	1.25"	Yes
	Outlets	Notes
	TL/BR	Mopar "B" & "E" Body Small Core Small Block
Part Number	Rows	Core Size
5-70045	2	17.38W x 25.50L x 2.68T
Combo Unit # CU-70045	Tube Size	In Tank Cooler
	1.25"	Yes
	Outlets	Notes
	TR/BR	Big Block "B" Body Mopar with AC
73-78 Charger See Drawings p.86-103		
Part Number	Rows	Core Size
5-00069	2	18.75W x 28.25L x 2.68T
Combo Unit # CU-00069	Tube Size	In Tank Cooler
	1.25"	No
	Outlets	Notes
	TL/BR	Small Block Mopar "B" Body All

Part Number	Rows	Core Size
5-00070	2	18.75W x 28.25L x 2.68T
Combo Unit # CU-00070	Tube Size	In Tank Cooler
	1.25"	No
	Outlets	Notes
	TR/BR	Big Block Mopar "B" Body All
Part Number	Rows	Core Size
5-70069	2	18.75W x 28.25L x 2.68T
Combo Unit # CU-70069	Tube Size	In Tank Cooler
	1.25"	Yes
	Outlets	Notes
	TL/BR	Small Block Mopar "B" Body All
Part Number	Rows	Core Size
5-70070	2	18.75W x 28.25L x 2.68T
Combo Unit # CU-70070	Tube Size	In Tank Cooler
	1.25"	Yes
	Outlets	Notes
	TR/BR	Small Block Mopar "B" Body All
66-69 Coronet See Drawings p.86-103		
Part Number	Rows	Core Size
5-00003	2	17.38W x 25.50L x 2.68T
Combo Unit # CU-00003	Tube Size	In Tank Cooler
	1.25"	No
	Outlets	Notes
	TL/BL	Small Block Mopar "B" Body All
Part Number	Rows	Core Size
5-00004	2	17.38W x 25.50L x 2.68T
Combo Unit # CU-00004	Tube Size	In Tank Cooler
	1.25"	No
	Outlets	Notes
	TR/BL	Big Block Mopar "B" Body All
Part Number	Rows	Core Size
5-00027	2	17.50W x 21.20L x 2.68T
Combo Unit # CU-00027	Tube Size	In Tank Cooler
	1.25"	No
	Outlets	Notes
	TL/BL	Small Block Mopar "B" Body All
Part Number	Rows	Core Size
5-70003	2	17.38W x 25.50L x 2.68T
Combo Unit # CU-70003	Tube Size	In Tank Cooler
	1.25"	No
	Outlets	Notes
Continue to next page	TL/BL	Small Block Mopar "B" Body All

Part Number	Rows	Core Size
5-70004	2	17.38W x 25.50L x 2.68T
Combo Unit # CU-70004	Tube Size	In Tank Cooler
	1.25"	No
	Outlets	Notes
	TR/BL	Big Block Mopar "B" Body All
Part Number	Rows	Core Size
5-70027	2	17.50W x 21.20L x 2.68T
Combo Unit # CU-70027	Tube Size	In Tank Cooler
	1.25"	No
	Outlets	Notes
	TL/BL	Small Block Mopar "B" Body All
69-72 Coronet See Drawings p.86-103		
Part Number	Rows	Core Size
5-00028	2	18.00W x 21.88L x 2.68T
Combo Unit # CU-00028	Tube Size	In Tank Cooler
	1.25"	No
	Outlets	Notes
	TL/BL	Mopar "B" & "E" Body Big Block
Part Number	Rows	Core Size
5-00043	2	18.00W x 21.88L x 2.68T
Combo Unit # CU-00043	Tube Size	In Tank Cooler
	1.25"	No
	Outlets	Notes
	TL/BR	Mopar "B" & "E" Late Model V8 & OEM L6
Part Number	Rows	Core Size
5-00044	2	18.00W x 21.88L x 2.68T
Combo Unit # CU-00044	Tube Size	In Tank Cooler
	1.25"	No
	Outlets	Notes
	TR/BR	Mopar "B" & "E" OEM L6
Part Number	Rows	Core Size
5-70028	2	18.00W x 21.88L x 2.68T
Combo Unit # CU-70028	Tube Size	In Tank Cooler
	1.25"	Yes
	Outlets	Notes
	TL/BL	Mopar "B" & "E" Body Big Block
Part Number	Rows	Core Size
5-70043	2	18.00W x 21.88L x 2.68T
Combo Unit # CU-70043	Tube Size	In Tank Cooler
	1.25"	Yes
	Outlets	Notes
	TL/BR	Mopar "B" & "E" Late Model V8 & OEM L6

Part Number	Rows	Core Size
5-70044	2	18.00W x 21.88L x 2.68T
Combo Unit # CU-70044	Tube Size	In Tank Cooler
	1.25"	Yes
	Outlets	Notes
	TR/BR	Mopar "B" & "E" OEM L6
70-73 Coronet See Drawings p.86-103		
Part Number	Rows	Core Size
5-00001	2	17.38W x 25.50L x 2.68T
Combo Unit # CU-00001	Tube Size	In Tank Cooler
	1.25"	No
	Outlets	Notes
	TL/BR	Small Block "B" Body Mopar with AC
Part Number	Rows	Core Size
5-00005	2	17.38W x 25.50L x 2.68T
Combo Unit # CU-00005	Tube Size	In Tank Cooler
	1.25"	No
	Outlets	Notes
	TR/BL	Big Block "B" Body Mopar
Part Number	Rows	Core Size
5-00022	2	18.00W x 18.57L x 2.68T
Combo Unit # CU-00022	Tube Size	In Tank Cooler
	1.25"	No
	Outlets	Notes
	TL/BR	Mopar "B" & "E" Body Small Core Small Block
Part Number	Rows	Core Size
5-00045	2	17.38W x 25.50L x 2.68T
Combo Unit # CU-00045	Tube Size	In Tank Cooler
	1.25"	No
	Outlets	Notes
	TR/BR	Big Block "B" Body Mopar with AC
Part Number	Rows	Core Size
5-70001	2	17.38W x 25.50L x 2.68T
Combo Unit # CU-70001	Tube Size	In Tank Cooler
	1.25"	Yes
	Outlets	Notes
	TL/BR	Small Block "B" Body Mopar with AC
Part Number	Rows	Core Size
5-70005	2	17.38W x 25.50L x 2.68T
Combo Unit # CU-70005	Tube Size	In Tank Cooler
	1.25"	Yes
	Outlets	Notes
	TR/BL	Big Block "B" Body Mopar

Part Number	Rows	Core Size
5-70022	2	18.00W x 18.57L x 2.68T
Combo Unit # CU-70022	Tube Size	In Tank Cooler
	1.25"	Yes
	Outlets	Notes
	TL/BR	Mopar "B" & "E" Body Small Core Small Block
Part Number	Rows	Core Size
5-70045	2	17.38W x 25.50L x 2.68T
Combo Unit # CU-70045	Tube Size	In Tank Cooler
	1.25"	Yes
	Outlets	Notes
	TR/BR	Big Block "B" Body Mopar with AC
74-76 Coronet See Drawings p.86-103		
Part Number	Rows	Core Size
5-00069	2	18.75W x 28.25L x 2.68T
Combo Unit # CU-00069	Tube Size	In Tank Cooler
	1.25"	No
	Outlets	Notes
	TL/BR	Small Block Mopar "B" Body All
Part Number	Rows	Core Size
5-00070	2	18.75W x 28.25L x 2.68T
Combo Unit # CU-00070	Tube Size	In Tank Cooler
	1.25"	No
	Outlets	Notes
	TR/BR	Big Block Mopar "B" Body All
Part Number	Rows	Core Size
5-70069	2	18.75W x 28.25L x 2.68T
Combo Unit # CU-70069	Tube Size	In Tank Cooler
	1.25"	Yes
	Outlets	Notes
	TL/BR	Small Block Mopar "B" Body All
Part Number	Rows	Core Size
5-70070	2	18.75W x 28.25L x 2.68T
Combo Unit # CU-70070	Tube Size	In Tank Cooler
	1.25"	Yes
	Outlets	Notes
	TR/BR	Small Block Mopar "B" Body All
67-73 Dart See Drawings p.86-103		
Part Number	Rows	Core Size
5-00023	2	17.00W x 18.57L x 2.68T
Combo Unit # CU-00023	Tube Size	In Tank Cooler
	1.25"	No
	Outlets	Notes
	TR/BR	Mopar "A" Body L6

Part Number	Rows	Core Size
5-70023	2	17.00W x 18.57L x 2.68T
Combo Unit # CU-70023	Tube Size	In Tank Cooler
	1.25"	Yes
	Outlets	Notes
	TR/BR	Mopar "A" Body L6
74-76 Dart See Drawings p.86-103		
Part Number	Rows	Core Size
5-00020	2	18.00W x 22.00L x 2.68T
Combo Unit # CU-00020	Tube Size	In Tank Cooler
	1.25"	No
	Outlets	Notes
	TL/BR	Mopar "A" & "F" Body large 6 cylinder HD
Part Number	Rows	Core Size
5-70020	2	18.00W x 22.00L x 2.68T
Combo Unit # CU-70020	Tube Size	In Tank Cooler
	1.25"	Yes
	Outlets	Notes
	TL/BR	Mopar "A" & "F" Body large 6 cylinder HD
77-89 Diplomat See Drawings p.86-103		
Part Number	Rows	Core Size
5-00033	1	18.00W x 26.38L x 1.50T
Combo Unit # CU-00033	Tube Size	In Tank Cooler
	1.5"	No
	Outlets	Notes
	TL/BR	Small Block Mopar "F" Body All
Part Number	Rows	Core Size
5-70033	1	18.00W x 26.38L x 1.50T
Combo Unit # CU-70033	Tube Size	In Tank Cooler
	1.5"	Yes
	Outlets	Notes
	TL/BR	Small Block Mopar "F" Body All
70-73 Duster See Drawings p.86-103		
Part Number	Rows	Core Size
5-00023	2	17.00W x 18.57L x 2.68T
Combo Unit # CU-00023	Tube Size	In Tank Cooler
	1.25"	No
	Outlets	Notes
	TR/BR	Mopar "A" Body L6
Part Number	Rows	Core Size
5-70023	2	17.00W x 18.57L x 2.68T
Combo Unit # CU-70023	Tube Size	In Tank Cooler
	1.25"	Yes
	Outlets	Notes
	TR/BR	Mopar "A" Body L6

30 DOMESTIC CARS

EXACT FIT

78 Magnum See Drawings p.86-103		
Part Number	Rows	Core Size
5-00069	2	18.75W x 28.25L x 2.68T
Combo Unit # CU-00069	Tube Size	In Tank Cooler
	1.25"	No
	Outlets	Notes
	TL/BR	Small Block Mopar "B" Body All
Part Number	Rows	Core Size
5-00070	2	18.75W x 28.25L x 2.68T
Combo Unit # CU-00070	Tube Size	In Tank Cooler
	1.25"	No
	Outlets	Notes
	TR/BR	Big Block Mopar "B" Body All
Part Number	Rows	Core Size
5-70069	2	18.75W x 28.25L x 2.68T
Combo Unit # CU-70069	Tube Size	In Tank Cooler
	1.25"	Yes
	Outlets	Notes
	TL/BR	Small Block Mopar "B" Body All
Part Number	Rows	Core Size
5-70070	2	18.75W x 28.25L x 2.68T
Combo Unit # CU-70070	Tube Size	In Tank Cooler
	1.25"	Yes
	Outlets	Notes
	TR/BR	Small Block Mopar "B" Body All
66-70 Monaco & 500 & Royal See Drawings p.86-103		
Part Number	Rows	Core Size
5-00012	2	17.38W x 25.50L x 2.68T
Combo Unit # CU-00012	Tube Size	In Tank Cooler
	1.25"	No
	Outlets	Notes
	TR/BL	Big Block Mopar "C" Body All
Part Number	Rows	Core Size
5-00026	2	17.38W x 25.50L x 2.68T
Combo Unit # CU-00026	Tube Size	In Tank Cooler
	1.25"	No
	Outlets	Notes
	TR/BL	Small Block Mopar "C" Body All
Part Number	Rows	Core Size
5-70012	2	17.38W x 25.50L x 2.68T
Combo Unit # CU-70012	Tube Size	In Tank Cooler
	1.25"	Yes
	Outlets	Notes
	TR/BL	Big Block Mopar "C" Body All

Part Number	Rows	Core Size
5-70026	2	17.38W x 25.50L x 2.68T
Combo Unit # CU-70026	Tube Size	In Tank Cooler
	1.25"	Yes
	Outlets	Notes
	TR/BL	Small Block Mopar "C" Body All
74-76 Monaco See Drawings p.86-103		
Part Number	Rows	Core Size
5-00021	2	19.75W x 27.88L x 2.68T
Combo Unit # CU-00021	Tube Size	In Tank Cooler
	1.25"	No
	Outlets	Notes
	TL/BR	Mopar "B" Body Big Block
Part Number	Rows	Core Size
5-70021	2	19.75W x 27.88L x 2.68T
Combo Unit # CU-70021	Tube Size	In Tank Cooler
	1.25"	Yes
	Outlets	Notes
	TL/BR	Mopar "B" Body Big Block
75-77 Monaco (Royal) See Drawings p.86-103		
Part Number	Rows	Core Size
5-00021	2	19.75W x 27.88L x 2.68T
Combo Unit # CU-00021	Tube Size	In Tank Cooler
	1.25"	No
	Outlets	Notes
	TL/BR	Mopar "B" Body Big Block
Part Number	Rows	Core Size
5-70021	2	19.75W x 27.88L x 2.68T
Combo Unit # CU-70021	Tube Size	In Tank Cooler
	1.25"	Yes
	Outlets	Notes
	TL/BR	Mopar "B" Body Big Block
77-78 Monaco See Drawings p.86-103		
Part Number	Rows	Core Size
5-00069	2	18.75W x 28.25L x 2.68T
Combo Unit # CU-00069	Tube Size	In Tank Cooler
	1.25"	No
	Outlets	Notes
	TL/BR	Small Block Mopar "B" Body All
Part Number	Rows	Core Size
5-00070	2	18.75W x 28.25L x 2.68T
Combo Unit # CU-00070	Tube Size	In Tank Cooler
	1.25"	No
	Outlets	Notes
	TR/BR	Big Block Mopar "B" Body All

Part Number	Rows	Core Size
5-70069	2	18.75W x 28.25L x 2.68T
Combo Unit # CU-70069	Tube Size	In Tank Cooler
	1.25"	Yes
	Outlets	Notes
	TL/BR	Small Block Mopar "B" Body All
Part Number	Rows	Core Size
5-70070	2	18.75W x 28.25L x 2.68T
Combo Unit # CU-70070	Tube Size	In Tank Cooler
	1.25"	Yes
	Outlets	Notes
	TR/BR	Small Block Mopar "B" Body All
66-70 Polara		See Drawings p.86-103
Part Number	Rows	Core Size
5-00012	2	17.38W x 25.50L x 2.68T
Combo Unit # CU-00012	Tube Size	In Tank Cooler
	1.25"	No
	Outlets	Notes
	TR/BL	Big Block Mopar "C" Body All
Part Number	Rows	Core Size
5-00026	2	17.38W x 25.50L x 2.68T
Combo Unit # CU-00026	Tube Size	In Tank Cooler
	1.25"	No
	Outlets	Notes
	TR/BL	Small Block Mopar "C" Body All
Part Number	Rows	Core Size
5-70012	2	17.38W x 25.50L x 2.68T
Combo Unit # CU-70012	Tube Size	In Tank Cooler
	1.25"	Yes
	Outlets	Notes
	TR/BL	Big Block Mopar "C" Body All
Part Number	Rows	Core Size
5-70026	2	17.38W x 25.50L x 2.68T
Combo Unit # CU-70026	Tube Size	In Tank Cooler
	1.25"	Yes
	Outlets	Notes
	TR/BL	Small Block Mopar "C" Body All
71-74 Rallye Challenger		See Drawings p.86-103
Part Number	Rows	Core Size
5-00022	2	18.00W x 18.57L x 2.68T
Combo Unit # CU-00022	Tube Size	In Tank Cooler
	1.25"	No
	Outlets	Notes
	TL/BR	Mopar "B" & "E" Body Small Core Small Block

Part Number	Rows	Core Size
5-00057	2	17.38W x 25.50L x 2.68T
Combo Unit # CU-00057	Tube Size	In Tank Cooler
	1.25"	No
	Outlets	Notes
	TL/BR	Small Block "E" Body Mopar with AC
Part Number	Rows	Core Size
5-00058	2	17.38W x 25.50L x 2.68T
Combo Unit # CU-00058	Tube Size	In Tank Cooler
	1.25"	No
	Outlets	Notes
	TR/BL	Big Block "E" Body Mopar with AC
Part Number	Rows	Core Size
5-70022	2	18.00W x 18.57L x 2.68T
Combo Unit # CU-70022	Tube Size	In Tank Cooler
	1.25"	Yes
	Outlets	Notes
	TL/BR	Mopar "B" & "E" Body Small Core Small Block
Part Number	Rows	Core Size
5-70057	2	17.38W x 25.50L x 2.68T
Combo Unit # CU-70057	Tube Size	In Tank Cooler
	1.25"	Yes
	Outlets	Notes
	TL/BR	Small Block "E" Body Mopar with AC
Part Number	Rows	Core Size
5-70058	2	17.38W x 25.50L x 2.68T
Combo Unit # CU-70058	Tube Size	In Tank Cooler
	1.25"	Yes
	Outlets	Notes
	TR/BL	Big Block "E" Body Mopar with AC
81 St. Regis		See Drawings p.86-103
Part Number	Rows	Core Size
5-00033	1	18.00W x 26.38L x 1.50T
Combo Unit # CU-00033	Tube Size	In Tank Cooler
	1.5"	No
	Outlets	Notes
	TL/BR	Small Block Mopar "F" Body All
Part Number	Rows	Core Size
5-70033	1	18.00W x 26.38L x 1.50T
Combo Unit # CU-70033	Tube Size	In Tank Cooler
	1.5"	Yes
	Outlets	Notes
	TL/BR	Small Block Mopar "F" Body All

70-71 Super Bee		See Drawings p.86-103
Part Number	Rows	Core Size
5-00028	2	18.00W x 21.88L x 2.68T
Combo Unit # CU-00028	Tube Size	In Tank Cooler
	1.25"	No
	Outlets	Notes
	TL/BL	Mopar "B" & "E" Body Big Block
Part Number	Rows	Core Size
5-00043	2	18.00W x 21.88L x 2.68T
Combo Unit # CU-00043	Tube Size	In Tank Cooler
	1.25"	No
	Outlets	Notes
	TL/BR	Mopar "B" & "E" Late Model V8 & OEM L6
Part Number	Rows	Core Size
5-00044	2	18.00W x 21.88L x 2.68T
Combo Unit # CU-00044	Tube Size	In Tank Cooler
	1.25"	No
	Outlets	Notes
	TR/BR	Mopar "B" & "E" OEM L6
Part Number	Rows	Core Size
5-70028	2	18.00W x 21.88L x 2.68T
Combo Unit # CU-70028	Tube Size	In Tank Cooler
	1.25"	Yes
	Outlets	Notes
	TL/BL	Mopar "B" & "E" Body Big Block
Part Number	Rows	Core Size
5-70043	2	18.00W x 21.88L x 2.68T
Combo Unit # CU-70043	Tube Size	In Tank Cooler
	1.25"	Yes
	Outlets	Notes
	TL/BR	Mopar "B" & "E" Late Model V8 & OEM L6
Part Number	Rows	Core Size
5-70044	2	18.00W x 21.88L x 2.68T
Combo Unit # CU-70044	Tube Size	In Tank Cooler
	1.25"	Yes
	Outlets	Notes
	TR/BR	Mopar "B" & "E" OEM L6

Is it ok to run without a thermostat?

Answer: Griffin does not recommend running without a thermostat. Typically, engines operate optimally at 185 to 195 degrees F coolant temperature. The thermostat ensures this. Without the thermostat, the coolant will go below these temperatures causing higher wear due to differential thermal expansion.

FORD		
67 Custom 500		See Drawings p.86-103
Part Number	Rows	Core Size
7-00134	2	17.00W x 20.25L x 2.68T
Combo Unit # CU-00134	Tube Size	In Tank Cooler
	1.25"	No
	Outlets	Notes
	TR/BL	OEM L6 Ford "LATE MODEL" & OEM Big Block (EXC. MODULAR)
Part Number	Rows	Core Size
7-70134	2	17.00W x 20.25L x 2.68T
Combo Unit # CU-70134	Tube Size	In Tank Cooler
	1.25"	Yes
	Outlets	Notes
	TR/BL	OEM L6 Ford "LATE MODEL" & OEM Big Block (EXC. MODULAR)
67-68 Custom 500		See Drawings p.86-103
Part Number	Rows	Core Size
7-00133	2	17.00W x 20.25L x 2.68T
Combo Unit # CU-00133	Tube Size	In Tank Cooler
	1.25"	No
	Outlets	Notes
	TR/BR	Early Small Block Ford
Part Number	Rows	Core Size
7-70133	2	17.00W x 20.25L x 2.68T
Combo Unit # CU-70133	Tube Size	In Tank Cooler
	1.25"	Yes
	Outlets	Notes
	TR/BR	Early Small Block Ford
Part Number	Rows	Core Size
7-00134	2	17.00W x 20.25L x 2.68T
Combo Unit # CU-00134	Tube Size	In Tank Cooler
	1.25"	No
	Outlets	Notes
	TR/BL	OEM L6 Ford "LATE MODEL" & OEM Big Block (EXC. MODULAR)
Part Number	Rows	Core Size
7-70134	2	17.00W x 20.25L x 2.68T
Combo Unit # CU-70134	Tube Size	In Tank Cooler
	1.25"	Yes
	Outlets	Notes
	TR/BL	OEM L6 Ford "LATE MODEL" & OEM Big Block (EXC. MODULAR)

68 Custom		See Drawings p.86-103
Part Number	Rows	Core Size
7-00134	2	17.00W x 20.25L x 2.68T
Combo Unit # CU-00134	Tube Size	In Tank Cooler
	1.25"	No
	Outlets	Notes
	TR/BL	OEM L6 Ford "LATE MODEL" & OEM Big Block (EXC. MODULAR)
Part Number	Rows	Core Size
7-70134	2	17.00W x 20.25L x 2.68T
Combo Unit # CU-70134	Tube Size	In Tank Cooler
	1.25"	Yes
	Outlets	Notes
	TR/BL	OEM L6 Ford "LATE MODEL" & OEM Big Block (EXC. MODULAR)
73-76 Custom 500		See Drawings p.86-103
Part Number	Rows	Core Size
7-00130	2	29.50W x 19.11L x 2.68T
Combo Unit # CU-00130	Tube Size	In Tank Cooler
	1.25"	No
	Outlets	Notes
	TR/BL	V8 Ford "LATE MODEL" & OEM Big Block (EXC. MODULAR)
Part Number	Rows	Core Size
7-70130	2	29.50W x 19.11L x 2.68T
Combo Unit # CU-70130	Tube Size	In Tank Cooler
	1.25"	Yes
	Outlets	Notes
	TR/BL	V8 Ford "LATE MODEL" & OEM Big Block (EXC. MODULAR)
57-59 Fairlane		See Drawings p.86-103
Part Number	Rows	Core Size
7-00101	2	18.00W x 24.00L x 2.68T
Combo Unit # CU-00101	Tube Size	In Tank Cooler
	1.25"	No
	Outlets	Notes
	TR/BL	V8 Ford "LATE MODEL" & OEM Big Block (EXC. MODULAR)
Part Number	Rows	Core Size
7-00131	2	16.50W x 22.88L x 2.68T
Combo Unit # CU-00131	Tube Size	In Tank Cooler
	1.25"	No
	Outlets	Notes
	TR/BL	V8 Ford "LATE MODEL" & OEM Big Block (EXC. MODULAR), OEM 6 Cylinder Design

Part Number	Rows	Core Size
7-70101	2	18.00W x 24.00L x 2.68T
Combo Unit # CU-70101	Tube Size	In Tank Cooler
	1.25"	Yes
	Outlets	Notes
	TR/BL	V8 Ford "LATE MODEL" & OEM Big Block (EXC. MODULAR)
Part Number	Rows	Core Size
7-70131	2	16.50W x 22.88L x 2.68T
Combo Unit # CU-70131	Tube Size	In Tank Cooler
	1.25"	Yes
	Outlets	Notes
	TR/BL	V8 Ford "LATE MODEL" & OEM Big Block (EXC. MODULAR), OEM 6 Cylinder Design
62-65 Fairlane		See Drawings p.86-103
Part Number	Rows	Core Size
7-00036	2	16.38W x 20.25L x 2.68T
Combo Unit # CU-00036	Tube Size	In Tank Cooler
	1.25"	No
	Outlets	Notes
	TR/BL	V8 Ford "LATE MODEL" & OEM L6 (EXC. MODULAR)
Part Number	Rows	Core Size
7-00037	2	16.38W x 20.25L x 2.68T
Combo Unit # CU-00037	Tube Size	In Tank Cooler
	1.25"	No
	Outlets	Notes
	TR/BR	Small Block Ford "Early" (EXC. MODULAR)
Part Number	Rows	Core Size
7-70036	2	16.38W x 20.25L x 2.68T
Combo Unit # CU-70036	Tube Size	In Tank Cooler
	1.25"	Yes
	Outlets	Notes
	TR/BL	V8 Ford "LATE MODEL" & OEM L6 (EXC. MODULAR)
Part Number	Rows	Core Size
7-70037	2	16.38W x 20.25L x 2.68T
Combo Unit # CU-70037	Tube Size	In Tank Cooler
	1.25"	Yes
	Outlets	Notes
	TR/BR	Small Block Ford "Early" (EXC. MODULAR)

Why would I use a surge tank?

You would use a surge tank when a radiator is mounted lower than the intake manifold. Air will tend to collect in the highest part of the system and will need to be purged at the manifold.

62-69 Fairlane See Drawings p.86-103

Part Number	Rows	Core Size
7-00134	2	17.00W x 20.25L x 2.68T
Combo Unit # CU-00134	Tube Size	In Tank Cooler
	1.25"	No
	Outlets	Notes
	TR/BL	OEM L6 Ford "LATE MODEL" & OEM Big Block (EXC. MODULAR)
Part Number	Rows	Core Size
7-70134	2	17.00W x 20.25L x 2.68T
Combo Unit # CU-70134	Tube Size	In Tank Cooler
	1.25"	Yes
	Outlets	Notes
	TR/BL	OEM L6 Ford "LATE MODEL" & OEM Big Block (EXC. MODULAR)

67 Fairlane See Drawings p.86-103

Part Number	Rows	Core Size
7-00132	2	17.00W x 23.00L x 2.68T
Combo Unit # CU-00132	Tube Size	In Tank Cooler
	1.25"	No
	Outlets	Notes
	TR/BL	V8 Ford "LATE MODEL" & OEM Big Block (EXC. MODULAR), Crossflow No Filler
Part Number	Rows	Core Size
7-70132	2	17.00W x 23.00L x 2.68T
Combo Unit # CU-70132	Tube Size	In Tank Cooler
	1.25"	Yes
	Outlets	Notes
	TR/BL	V8 Ford "LATE MODEL" & OEM Big Block (EXC. MODULAR), Crossflow No Filler

67-69 Fairlane See Drawings p.86-103

Part Number	Rows	Core Size
7-00133	2	17.00W x 20.25L x 2.68T
Combo Unit # CU-00133	Tube Size	In Tank Cooler
	1.25"	No
	Outlets	Notes
	TR/BR	Early Small Block Ford
Part Number	Rows	Core Size
7-70133	2	17.00W x 20.25L x 2.68T
Combo Unit # CU-70133	Tube Size	In Tank Cooler
	1.25"	Yes
	Outlets	Notes
	TR/BR	Early Small Block Ford

63-65 Falcon See Drawings p.86-103

Part Number	Rows	Core Size
7-00034	2	16.50L x 17.00T x 2.68"
Combo Unit # CU-00034	Tube Size	In Tank Cooler
	1.25"	No
	Outlets	Notes
	TR/BR	Small Block Ford "Early" (EXC. MODULAR)
Part Number	Rows	Core Size
7-00035	2	16.50L x 17.00T x 2.68"
Combo Unit # CU-00035	Tube Size	In Tank Cooler
	1.25"	No
	Outlets	Notes
	TR/BL	V8 Ford "LATE MODEL" & OEM L6 (EXC. MODULAR)

67-70 Falcon See Drawings p.86-103

Part Number	Rows	Core Size
7-70034	2	16.50L x 17.00T x 2.68"
Combo Unit # CU-70034	Tube Size	In Tank Cooler
	1.25"	Yes
	Outlets	Notes
	TR/BR	Small Block Ford "Early" (EXC. MODULAR)
Part Number	Rows	Core Size
7-70035	2	16.50L x 17.00T x 2.68"
Combo Unit # CU-70035	Tube Size	In Tank Cooler
	1.25"	Yes
	Outlets	Notes
	TR/BL	V8 Ford "LATE MODEL" & OEM L6 (EXC. MODULAR)

67-70 Falcon See Drawings p.86-103

Part Number	Rows	Core Size
7-00133	2	17.00W x 20.25L x 2.68T
Combo Unit # CU-00133	Tube Size	In Tank Cooler
	1.25"	No
	Outlets	Notes
	TR/BR	Early Small Block Ford
Part Number	Rows	Core Size
7-70133	2	17.00W x 20.25L x 2.68T
Combo Unit # CU-70133	Tube Size	In Tank Cooler
	1.25"	Yes
	Outlets	Notes
	TR/BR	Early Small Block Ford
Part Number	Rows	Core Size
7-00134	2	17.00W x 20.25L x 2.68T
Combo Unit # CU-00134	Tube Size	In Tank Cooler
	1.25"	No
	Outlets	Notes
	TR/BL	OEM L6 Ford "LATE MODEL" & OEM Big Block (EXC. MODULAR)

Part Number	Rows	Core Size
7-70134	2	17.00W x 20.25L x 2.68T
Combo Unit # CU-70134	Tube Size	In Tank Cooler
	1.25"	Yes
	Outlets	Notes
	TR/BL	OEM L6 Ford "LATE MODEL" & OEM Big Block (EXC. MODULAR)
33-34 Ford (All)		See Drawings p.86-103
Part Number	Rows	Core Size
7-00082	2	22.00W x 17.38L x 2.68T
Combo Unit # CU-00082	Tube Size	In Tank Cooler
	1.25"	No
	Outlets	Notes
	TC/BR	GM Early Outlets
Part Number	Rows	Core Size
7-70082	2	22.00W x 17.38L x 2.68T
Combo Unit # CU-70082	Tube Size	In Tank Cooler
	1.25"	Yes
	Outlets	Notes
	TC/BR	GM Early Outlets
Part Number	Rows	Core Size
7-70094	2	22.00W x 17.38L x 2.68T
Combo Unit # CU-70094	Tube Size	In Tank Cooler
	1.25"	Yes
	Outlets	Notes
	FLAT HEAD	Early Flat Head 1.75 (4)
37-38 Ford (All)		See Drawings p.86-103
Part Number	Rows	Core Size
7-00121	2	23.00W x 15.75L x 2.68T
Combo Unit # CU-00121	Tube Size	In Tank Cooler
	1.25"	No
	Outlets	Notes
	TR/BL	V8 Ford "LATE MODEL" & OEM Big Block (EXC. MODULAR), Hood Rod Bracket
Part Number	Rows	Core Size
7-00122	2	23.00W x 15.75L x 2.68T
Combo Unit # CU-00122	Tube Size	In Tank Cooler
	1.25"	No
	Outlets	Notes
	Flat Head	Ford Flat Head, Hood Rod Bracket
37-39 Ford (All)		See Drawings p.86-103
Part Number	Rows	Core Size
7-00086	2	23.00W x 15.75L x 2.68T
Combo Unit # CU-00086	Tube Size	In Tank Cooler
	1.25"	No
	Outlets	Notes
	TC/BR	GM Early Outlets

Part Number	Rows	Core Size
7-70086	2	23.00W x 15.75L x 2.68T
Combo Unit # CU-70086	Tube Size	In Tank Cooler
	1.25"	Yes
	Outlets	Notes
	TC/BR	GM Early Outlets
Part Number	Rows	Core Size
7-70121	2	23.00W x 15.75L x 2.68T
Combo Unit # CU-70121	Tube Size	In Tank Cooler
	1.25"	Yes
	Outlets	Notes
	TR/BL	V8 Ford "LATE MODEL" & OEM Big Block (EXC. MODULAR), Hood Rod Bracket
Part Number	Rows	Core Size
7-70122	2	23.00W x 15.75L x 2.68T
Combo Unit # CU-70122	Tube Size	In Tank Cooler
	1.25"	Yes
	Outlets	Notes
	Flat Head	Ford Flat Head, Hood Rod Bracket
39 Ford (Standard)		See Drawings p.86-103
Part Number	Rows	Core Size
7-00121	2	23.00W x 15.75L x 2.68T
Combo Unit # CU-00121	Tube Size	In Tank Cooler
	1.25"	No
	Outlets	Notes
	TR/BL	V8 Ford "LATE MODEL" & OEM Big Block (EXC. MODULAR)
Part Number	Rows	Core Size
7-00122	2	23.00W x 15.75L x 2.68T
Combo Unit # CU-00122	Tube Size	In Tank Cooler
	1.25"	No
	Outlets	Notes
	Flat Head	Ford Flat Head

How much space should there be between the A/C condenser and the radiator?

There should be 1/4" – 3/8" (no more than 1/2") between the A/C condenser and the radiator. If there is too much space the air will go around the condenser. The condenser cannot go on the backside of radiator. Temperature of the air leaving the radiator is too high for a condenser to reject the heat required for proper A/C operation.

39-40 Deluxe (Ford) See Drawings p.86-103		
Part Number	Rows	Core Size
7-00097	2	19.25W x 21.00L x 2.68T
Combo Unit # CU-00097	Tube Size	In Tank Cooler
	1.25"	No
	Outlets	Notes
	TR/BL	V8 Ford "LATE MODEL" & OEM Big Block (EXC. MODULAR)
Part Number	Rows	Core Size
7-00102	2	19.25W x 21.00L x 2.68T
Combo Unit # CU-00102	Tube Size	In Tank Cooler
	1.25"	No
	Outlets	Notes
	TC/BR	V8 Ford "LATE MODEL" & OEM Big Block (EXC. MODULAR)
Part Number	Rows	Core Size
7-70097	2	19.25W x 21.00L x 2.68T
Combo Unit # CU-70097	Tube Size	In Tank Cooler
	1.25"	Yes
	Outlets	Notes
	TR/BL	V8 Ford "LATE MODEL" & OEM Big Block (EXC. MODULAR)
Part Number	Rows	Core Size
7-70102	2	19.25W x 21.00L x 2.68T
Combo Unit # CU-70102	Tube Size	In Tank Cooler
	1.25"	Yes
	Outlets	Notes
	TC/BR	V8 Ford "LATE MODEL" & OEM Big Block (EXC. MODULAR)
40 Standard (Ford) See Drawings p.86-103		
Part Number	Rows	Core Size
7-00097	2	19.25W x 21.00L x 2.68T
Combo Unit # CU-00097	Tube Size	In Tank Cooler
	1.25"	No
	Outlets	Notes
	TR/BL	V8 Ford "LATE MODEL" & OEM Big Block (EXC. MODULAR)
Part Number	Rows	Core Size
7-00102	2	19.25W x 21.00L x 2.68T
Combo Unit # CU-00102	Tube Size	In Tank Cooler
	1.25"	No
	Outlets	Notes
	TC/BR	V8 Ford "LATE MODEL" & OEM Big Block (EXC. MODULAR)

Part Number	Rows	Core Size
7-70097	2	19.25W x 21.00L x 2.68T
Combo Unit # CU-70097	Tube Size	In Tank Cooler
	1.25"	Yes
	Outlets	Notes
	TR/BL	V8 Ford "LATE MODEL" & OEM Big Block (EXC. MODULAR)
Part Number	Rows	Core Size
7-70102	2	19.25W x 21.00L x 2.68T
Combo Unit # CU-70102	Tube Size	In Tank Cooler
	1.25"	Yes
	Outlets	Notes
	TC/BR	V8 Ford "LATE MODEL" & OEM Big Block (EXC. MODULAR)
42-48 Ford (V8) See Drawings p.86-103		
Part Number	Rows	Core Size
7-00099	2	19.00W x 20.25L x 2.68T
Combo Unit # CU-00099	Tube Size	In Tank Cooler
	1.25"	No
	Outlets	Notes
	TC/BR	Early Model First Generation GM V8 (NOT FACTORY)
Part Number	Rows	Core Size
7-70099	2	19.00W x 20.25L x 2.68T
Combo Unit # CU-70099	Tube Size	In Tank Cooler
	1.25"	Yes
	Outlets	Notes
	TC/BR	Early Model First Generation GM V8 (NOT FACTORY)
49-53 Ford (Car) See Drawings p.86-103		
Part Number	Rows	Core Size
7-00136	2	19.00W x 20.13L x 2.68T
Combo Unit # CU-00136	Tube Size	In Tank Cooler
	1.25"	No
	Outlets	Notes
	FLAT HEAD	Late Model Flat Head 1.25" Top & 1.75" Bottom
Part Number	Rows	Core Size
7-70136	2	19.00W x 20.13L x 2.68T
Combo Unit # CU-70136	Tube Size	In Tank Cooler
	1.25"	Yes
	Outlets	Notes
	FLAT HEAD	Late Model Flat Head 1.25" Top & 1.75" Bottom

60-63 Galaxie		See Drawings p.86-103	
Part Number	Rows	Core Size	
7-00040	2	22.50W x 18.50L x 2.68T	
Combo Unit # CU-00040	Tube Size	In Tank Cooler	
	1.25"	No	
	Outlets	Notes	
	TR/BR	V8 Ford "All" (EXC. MODULAR)	
Part Number	Rows	Core Size	
7-70040	2	22.50W x 18.50L x 2.68T	
Combo Unit # CU-70040	Tube Size	In Tank Cooler	
	1.25"	Yes	
	Outlets	Notes	
	TR/BR	V8 Ford "All" (EXC. MODULAR)	
64 Galaxie		See Drawings p.86-103	
Part Number	Rows	Core Size	
7-00103	2	22.50W x 18.50L x 2.68T	
Combo Unit # CU-00103	Tube Size	In Tank Cooler	
	1.25"	No	
	Outlets	Notes	
	TR/BL	V8 Ford "LATE MODEL" & OEM Big Block (EXC. MODULAR)	
Part Number	Rows	Core Size	
7-70103	2	22.50W x 18.50L x 2.68T	
Combo Unit # CU-70103	Tube Size	In Tank Cooler	
	1.25"	Yes	
	Outlets	Notes	
	TR/BL	V8 Ford "LATE MODEL" & OEM Big Block (EXC. MODULAR)	
65-66 Galaxie		See Drawings p.86-103	
Part Number	Rows	Core Size	
7-00050	2	17.00W x 23.00L x 2.68T	
Combo Unit # CU-00050	Tube Size	In Tank Cooler	
	1.25"	No	
	Outlets	Notes	
	TR/BL	FE Big Block or Late Model V8 "EXC. MODULAR"	
Part Number	Rows	Core Size	
7-70050	2	17.00W x 23.00L x 2.68T	
Combo Unit # CU-70050	Tube Size	In Tank Cooler	
	1.25"	Yes	
	Outlets	Notes	
	TR/BL	FE Big Block or Late Model V8 "EXC. MODULAR"	

67-68 Galaxie & 500		See Drawings p.86-103	
Part Number	Rows	Core Size	
7-00133	2	17.00W x 20.25L x 2.68T	
Combo Unit # CU-00133	Tube Size	In Tank Cooler	
	1.25"	No	
	Outlets	Notes	
	TR/BR	Early Small Block Ford	
Part Number	Rows	Core Size	
7-70133	2	17.00W x 20.25L x 2.68T	
Combo Unit # CU-70133	Tube Size	In Tank Cooler	
	1.25"	Yes	
	Outlets	Notes	
	TR/BR	Early Small Block Ford	
Part Number	Rows	Core Size	
7-00134	2	17.00W x 20.25L x 2.68T	
Combo Unit # CU-00134	Tube Size	In Tank Cooler	
	1.25"	No	
	Outlets	Notes	
	TR/BL	OEM L6 Ford "LATE MODEL" & OEM Big Block (EXC. MODULAR)	
Part Number	Rows	Core Size	
7-70134	2	17.00W x 20.25L x 2.68T	
Combo Unit # CU-70134	Tube Size	In Tank Cooler	
	1.25"	Yes	
	Outlets	Notes	
	TR/BL	OEM L6 Ford "LATE MODEL" & OEM Big Block (EXC. MODULAR)	
73-74 Galaxie		See Drawings p.86-103	
Part Number	Rows	Core Size	
7-00130	2	29.50W x 19.11L x 2.68T	
Combo Unit # CU-00130	Tube Size	In Tank Cooler	
	1.25"	No	
	Outlets	Notes	
	TR/BL	V8 Ford "LATE MODEL" & OEM Big Block (EXC. MODULAR)	
Part Number	Rows	Core Size	
7-70130	2	29.50W x 19.11L x 2.68T	
Combo Unit # CU-70130	Tube Size	In Tank Cooler	
	1.25"	Yes	
	Outlets	Notes	
	TR/BL	V8 Ford "LATE MODEL" & OEM Big Block (EXC. MODULAR)	

67-68 LTD See Drawings p.86-103		
Part Number	Rows	Core Size
7-00133	2	17.00W x 20.25L x 2.68T
Combo Unit # CU-00133	Tube Size	In Tank Cooler
	1.25"	No
	Outlets	Notes
	TR/BR	Early Small Block Ford
Part Number	Rows	Core Size
7-70133	2	17.00W x 20.25L x 2.68T
Combo Unit # CU-70133	Tube Size	In Tank Cooler
	1.25"	Yes
	Outlets	Notes
	TR/BR	Early Small Block Ford
Part Number	Rows	Core Size
7-00134	2	17.00W x 20.25L x 2.68T
Combo Unit # CU-00134	Tube Size	In Tank Cooler
	1.25"	No
	Outlets	Notes
	TR/BL	OEM L6 Ford "LATE MODEL" & OEM Big Block (EXC. MODULAR)
Part Number	Rows	Core Size
7-70134	2	17.00W x 20.25L x 2.68T
Combo Unit # CU-70134	Tube Size	In Tank Cooler
	1.25"	Yes
	Outlets	Notes
	TR/BL	OEM L6 Ford "LATE MODEL" & OEM Big Block (EXC. MODULAR)
73-78 LTD See Drawings p.86-103		
Part Number	Rows	Core Size
7-00130	2	29.50W x 19.11L x 2.68T
Combo Unit # CU-00130	Tube Size	In Tank Cooler
	1.25"	No
	Outlets	Notes
	TR/BL	V8 Ford "LATE MODEL" & OEM Big Block (EXC. MODULAR)
Part Number	Rows	Core Size
7-70130	2	29.50W x 19.11L x 2.68T
Combo Unit # CU-70130	Tube Size	In Tank Cooler
	1.25"	Yes
	Outlets	Notes
	TR/BL	V8 Ford "LATE MODEL" & OEM Big Block (EXC. MODULAR)

Why doesn't Griffin use the same transcooler fittings that the car had originally?
 Some of the original transcooler fittings are not available anymore.

70-73 Maverick See Drawings p.86-103		
Part Number	Rows	Core Size
7-00036	2	16.38W x 20.25L x 2.68T
Combo Unit # CU-00036	Tube Size	In Tank Cooler
	1.25"	No
	Outlets	Notes
	TR/BL	V8 Ford "LATE MODEL" & OEM L6 (EXC. MODULAR)
Part Number	Rows	Core Size
7-00037	2	16.38W x 20.25L x 2.68T
Combo Unit # CU-00037	Tube Size	In Tank Cooler
	1.25"	No
	Outlets	Notes
	TR/BR	Small Block Ford "Early" (EXC. MODULAR)
Part Number	Rows	Core Size
7-70036	2	16.38W x 20.25L x 2.68T
Combo Unit # CU-70036	Tube Size	In Tank Cooler
	1.25"	Yes
	Outlets	Notes
	TR/BL	V8 Ford "LATE MODEL" & OEM L6 (EXC. MODULAR)
Part Number	Rows	Core Size
7-70037	2	16.38W x 20.25L x 2.68T
Combo Unit # CU-70037	Tube Size	In Tank Cooler
	1.25"	Yes
	Outlets	Notes
	TR/BR	Small Block Ford "Early" (EXC. MODULAR)
28-29 Model A See Drawings p.86-103		
Part Number	Rows	Core Size
7-00077	2	20.00W x 20.00L x 2.68T
Combo Unit # CU-00077	Tube Size	In Tank Cooler
	1.25"	No
	Outlets	Notes
	FLAT HEAD	Early Flat Head 1.75 (4)
Part Number	Rows	Core Size
7-00078	2	20.00W x 20.00L x 2.68T
Combo Unit # CU-00078	Tube Size	In Tank Cooler
	1.25"	No
	Outlets	Notes
	TC/BR	GM Early Outlets, Hood Rod Bracket
Part Number	Rows	Core Size
7-00116	2	20.00W x 20.00L x 2.68T
Combo Unit # CU-00116	Tube Size	In Tank Cooler
	1.25"	No
	Outlets	Notes
	TC/BR	GM Early Outlets

Part Number	Rows	Core Size
7-00117	2	20.00W x 20.00L x 2.68T
Combo Unit # CU-00117	Tube Size	In Tank Cooler
	1.25"	No
	Outlets	Notes
	TC/BR	GM Early Outlets, Dummy Neck
Part Number	Rows	Core Size
7-00118	2	20.00W x 20.00L x 2.68T
Combo Unit # CU-00118	Tube Size	In Tank Cooler
	1.25"	No
	Outlets	Notes
	TC/BR	GM Early Outlets, Hood Rod & Dummy Neck
Part Number	Rows	Core Size
7-00119	2	20.00W x 20.00L x 2.68T
Combo Unit # CU-00119	Tube Size	In Tank Cooler
	1.25"	No
	Outlets	Notes
	TR/BL	V8 Ford "LATE MODEL" & OEM Big Block (EXC. MODULAR), Hood Rod
Part Number	Rows	Core Size
7-70077	2	20.00W x 20.00L x 2.68T
Combo Unit # CU-70077	Tube Size	In Tank Cooler
	1.25"	Yes
	Outlets	Notes
	FLAT HEAD	Early Flat Head 1.75 (4)
Part Number	Rows	Core Size
7-70078	2	20.00W x 20.00L x 2.68T
Combo Unit # CU-70078	Tube Size	In Tank Cooler
	1.25"	Yes
	Outlets	Notes
	TC/BR	GM Early Outlets, Hood Rod Bracket
Part Number	Rows	Core Size
7-70116	2	20.00W x 20.00L x 2.68T
Combo Unit # CU-70116	Tube Size	In Tank Cooler
	1.25"	Yes
	Outlets	Notes
	TC/BR	GM Early Outlets
Part Number	Rows	Core Size
7-70117	2	20.00W x 20.00L x 2.68T
Combo Unit # CU-70117	Tube Size	In Tank Cooler
	1.25"	Yes
	Outlets	Notes
	TC/BR	GM Early Outlets, Dummy Neck

Part Number	Rows	Core Size
7-70118	2	20.00W x 20.00L x 2.68T
Combo Unit # CU-70118	Tube Size	In Tank Cooler
	1.25"	Yes
	Outlets	Notes
	TC/BR	GM Early Outlets, Hood Rod & Dummy Neck
Part Number	Rows	Core Size
7-70119	2	20.00W x 20.00L x 2.68T
Combo Unit # CU-70119	Tube Size	In Tank Cooler
	1.25"	Yes
	Outlets	Notes
	TR/BL	V8 Ford "LATE MODEL" & OEM Big Block (EXC. MODULAR), Hood Rod
30-31 Model A		See Drawings p.86-103
Part Number	Rows	Core Size
7-00084	2	22.50W x 18.50L x 2.68T
Combo Unit # CU-00084	Tube Size	In Tank Cooler
	1.25"	No
	Outlets	Notes
	TC/BR	GM Early Outlets, Early Flat Head 1.75 (4)
Part Number	Rows	Core Size
7-00085	2	22.50W x 18.50L x 2.68T
Combo Unit # CU-00085	Tube Size	In Tank Cooler
	1.25"	No
	Outlets	Notes
	FLAT HEAD	Ford Flat Head,
Part Number	Rows	Core Size
7-00104	2	22.50W x 18.50L x 2.68T
Combo Unit # CU-00104	Tube Size	In Tank Cooler
	1.25"	No
	Outlets	Notes
	TC/BR	GM Early Outlets, Hood Rod Bracket, Dummy Neck
Part Number	Rows	Core Size
7-00120	2	22.50W x 18.50L x 2.68T
Combo Unit # CU-00120	Tube Size	In Tank Cooler
	1.25"	No
	Outlets	Notes
	TR/BL	V8 Ford "LATE MODEL" & OEM Big Block (EXC. MODULAR) Hood Rod Bracket
Part Number	Rows	Core Size
7-70084	2	22.50W x 18.50L x 2.68T
Combo Unit # CU-70084	Tube Size	In Tank Cooler
	1.25"	Yes
	Outlets	Notes
	TC/BR	GM Early Outlets

Continue to next page

Part Number	Rows	Core Size
7-70085	2	22.50W x 18.50L x 2.68T
Combo Unit # CU-70085	Tube Size	In Tank Cooler
	1.25"	Yes
	Outlets	Notes
	FLAT HEAD	Early Flat Head 1.75 (4)
Part Number	Rows	Core Size
7-70104	2	22.50W x 18.50L x 2.68T
Combo Unit # CU-70104	Tube Size	In Tank Cooler
	1.25"	Yes
	Outlets	Notes
	TC/BR	GM Early Outlets, Hood Rod Bracket & Dummy Neck
Part Number	Rows	Core Size
7-70120	2	22.50W x 18.50L x 2.68T
Combo Unit # CU-70120	Tube Size	In Tank Cooler
	1.25"	Yes
	Outlets	Notes
	TR/BL	V8 Ford "LATE MODEL" & OEM Big Block (EXC. MODULAR), Hood Rod Bracket

32 Model B See Drawings p.86-103

Part Number	Rows	Core Size
7-00083	2	22.00W x 17.38L x 2.68T
Combo Unit # CU-00083	Tube Size	In Tank Cooler
	1.25"	No
	Outlets	Notes
	Flat Head	Ford Flat Head
Part Number	Rows	Core Size
7-00088	2	22.00W x 17.38L x 2.68T
Combo Unit # CU-00088	Tube Size	In Tank Cooler
	1.25"	No
	Outlets	Notes
	TC/BR	GM Early Outlets, Hood Rod Brackets
Part Number	Rows	Core Size
7-70083	2	22.00W x 17.38L x 2.68T
Combo Unit # CU-70083	Tube Size	In Tank Cooler
	1.25"	Yes
	Outlets	Notes
	Flat Head	Ford Flat Head
Part Number	Rows	Core Size
7-70088	2	22.00W x 17.38L x 2.68T
Combo Unit # CU-70088	Tube Size	In Tank Cooler
	1.25"	Yes
	Outlets	Notes
	TC/BR	GM Early Outlets

27 Model T			See Drawings p.86-103
Part Number	Rows	Core Size	
7-00127	2	17.00W x 19.00L x 2.68T	
Combo Unit # CU-00127	Tube Size	In Tank Cooler	
	1.25"	No	
	Outlets	Notes	
	TC/BR	Early chevy outlets	
Part Number	Rows	Core Size	
7-00128	2	17.00W x 19.00L x 2.68T	
Combo Unit # CU-00128	Tube Size	In Tank Cooler	
	1.25"	No	
	Outlets	Notes	
	Flat Head	Early Ford Flat head	
Part Number	Rows	Core Size	
7-00129	2	17.00W x 19.00L x 2.68T	
Combo Unit # CU-00129	Tube Size	In Tank Cooler	
	1.25"	No	
	Outlets	Notes	
	TR/BL	V8 Ford "LATE MODEL" & OEM Big Block (EXC. MODULAR)	
Part Number	Rows	Core Size	
7-70127	2	17.00W x 19.00L x 2.68T	
Combo Unit # CU-70127	Tube Size	In Tank Cooler	
	1.25"	Yes	
	Outlets	Notes	
	TC/BR	Early chevy outlets	
Part Number	Rows	Core Size	
7-70128	2	17.00W x 19.00L x 2.68T	
Combo Unit # CU-70128	Tube Size	In Tank Cooler	
	1.25"	Yes	
	Outlets	Notes	
	Flat Head	Early Ford Flat head	
Part Number	Rows	Core Size	
7-70129	2	17.00W x 19.00L x 2.68T	
Combo Unit # CU-70129	Tube Size	In Tank Cooler	
	1.25"	Yes	
	Outlets	Notes	
	TR/BL	V8 Ford "LATE MODEL" & OEM Big Block (EXC. MODULAR)	

Will an internal transcooler raise the water temperature?
 An internal transcooler may raise the water temperature by an insignificant amount of approximately 1 – 2 degrees.

65-66 Mustang			See Drawings p.86-103
Part Number	Rows	Core Size	
7-00034	2	16.50L X 17.00 x 2.68T	
Combo Unit # CU-00034	Tube Size	In Tank Cooler	
	1.25"	No	
	Outlets	Notes	
	TR/BR	Small Block Ford "Early" (EXC. MODULAR)	
Part Number	Rows	Core Size	
7-00035	2	16.50L X 17.00 x 2.68T	
Combo Unit # CU-00035	Tube Size	In Tank Cooler	
	1.25"	No	
	Outlets	Notes	
	TR/BL	V8 Ford "LATE MODEL" & OEM L6 (EXC. MODU- LAR)	
Part Number	Rows	Core Size	
7-70034	2	16.50L x 17.00T x 2.68"	
Combo Unit # CU-70034	Tube Size	In Tank Cooler	
	1.25"	Yes	
	Outlets	Notes	
	TR/BR	Small Block Ford "Early" (EXC. MODULAR)	
Part Number	Rows	Core Size	
7-70035	2	16.50L x 17.00T x 2.68"	
Combo Unit # CU-70035	Tube Size	In Tank Cooler	
	1.25"	Yes	
	Outlets	Notes	
	TR/BL	V8 Ford "LATE MODEL" & OEM L6 (EXC. MODU- LAR)	
67 Mustang			See Drawings p.86-103
Part Number	Rows	Core Size	
7-00042	2	15.50W x 23.00L x 2.68T	
Combo Unit # CU-00042	Tube Size	In Tank Cooler	
	1.25"	No	
	Outlets	Notes	
	TR/BL	V8 Ford "LATE MODEL" & OEM Big Block (EXC. MODULAR)	
Part Number	Rows	Core Size	
7-70042	2	15.50W x 23.00L x 2.68T	
Combo Unit # CU-70042	Tube Size	In Tank Cooler	
	1.25"	Yes	
	Outlets	Notes	
	TR/BL	V8 Ford "LATE MODEL" & OEM Big Block (EXC. MODULAR)	

67-70 Mustang			See Drawings p.86-103
Part Number	Rows	Core Size	
7-00036	2	16.38W x 20.25L x 2.68T	
Combo Unit # CU-00036	Tube Size	In Tank Cooler	
	1.25"	No	
	Outlets	Notes	
	TR/BL	V8 Ford "LATE MODEL" & OEM L6 (EXC. MODU- LAR)	
Part Number	Rows	Core Size	
7-00037	2	16.38W x 20.25L x 2.68T	
Combo Unit # CU-00037	Tube Size	In Tank Cooler	
	1.25"	No	
	Outlets	Notes	
	TR/BR	Small Block Ford "Early" (EXC. MODULAR)	
Part Number	Rows	Core Size	
7-70036	2	16.38W x 20.25L x 2.68T	
Combo Unit # CU-70036	Tube Size	In Tank Cooler	
	1.25"	Yes	
	Outlets	Notes	
	TR/BL	V8 Ford "LATE MODEL" & OEM L6 (EXC. MODU- LAR)	
Part Number	Rows	Core Size	
7-70037	2	16.38W x 20.25L x 2.68T	
Combo Unit # CU-70037	Tube Size	In Tank Cooler	
	1.25"	Yes	
	Outlets	Notes	
	TR/BR	Small Block Ford "Early" (EXC. MODULAR)	
76-78 Mustang			See Drawings p.86-103
Part Number	Rows	Core Size	
7-00113	2	16.50W x 23.00L x 2.68T	
Combo Unit # CU-00113	Tube Size	In Tank Cooler	
	1.25"	No	
	Outlets	Notes	
	TR/BL	V8 Ford "LATE MODEL" & OEM Big Block (EXC. MODULAR)	
Part Number	Rows	Core Size	
7-70113	2	16.50W x 23.00L x 2.68T	
Combo Unit # CU-70113	Tube Size	In Tank Cooler	
	1.25"	Yes	
	Outlets	Notes	
	TR/BL	V8 Ford "LATE MODEL" & OEM Big Block (EXC. MODULAR)	

73 Pinto See Drawings p.86-103		
Part Number	Rows	Core Size
7-00036	2	16.38W x 20.25L x 2.68T
Combo Unit # CU-00036	Tube Size	In Tank Cooler
	1.25"	No
	Outlets	Notes
	TR/BL	V8 Ford "LATE MODEL" & OEM L6 (EXC. MODULAR)
Part Number	Rows	Core Size
7-00037	2	16.38W x 20.25L x 2.68T
Combo Unit # CU-00037	Tube Size	In Tank Cooler
	1.25"	No
	Outlets	Notes
	TR/BR	Small Block Ford "Early" (EXC. MODULAR)
Part Number	Rows	Core Size
7-70036	2	16.38W x 20.25L x 2.68T
Combo Unit # CU-70036	Tube Size	In Tank Cooler
	1.25"	Yes
	Outlets	Notes
	TR/BL	V8 Ford "LATE MODEL" & OEM L6 (EXC. MODULAR)
Part Number	Rows	Core Size
7-70037	2	16.38W x 20.25L x 2.68T
Combo Unit # CU-70037	Tube Size	In Tank Cooler
	1.25"	Yes
	Outlets	Notes
	TR/BR	Small Block Ford "Early" (EXC. MODULAR)
74 Pinto See Drawings p.86-103		
Part Number	Rows	Core Size
7-00037	2	16.38W x 20.25L x 2.68T
Combo Unit # CU-00037	Tube Size	In Tank Cooler
	1.25"	No
	Outlets	Notes
	TR/BR	V8 Ford "LATE MODEL" & OEM L6 (EXC. MODULAR)
Part Number	Rows	Core Size
7-70037	2	16.38W x 20.25L x 2.68T
Combo Unit # CU-70037	Tube Size	In Tank Cooler
	1.25"	Yes
	Outlets	Notes
	TR/BR	Small Block Ford "Early" (EXC. MODULAR)
67-68 Ranch Wagon See Drawings p.86-103		
Part Number	Rows	Core Size
7-00133	2	17.00W x 20.25L x 2.68T
Combo Unit # CU-00133	Tube Size	In Tank Cooler
	1.25"	No
	Outlets	Notes
	TR/BR	Early Small Block Ford

Part Number	Rows	Core Size
7-70133	2	17.00W x 20.25L x 2.68T
Combo Unit # CU-70133	Tube Size	In Tank Cooler
	1.25"	Yes
	Outlets	Notes
	TR/BR	Early Small Block Ford
Part Number	Rows	Core Size
7-00134	2	17.00W x 20.25L x 2.68T
Combo Unit # CU-00134	Tube Size	In Tank Cooler
	1.25"	No
	Outlets	Notes
	TR/BL	OEM L6 Ford "LATE MODEL" & OEM Big Block (EXC. MODULAR)
Part Number	Rows	Core Size
7-70134	2	17.00W x 20.25L x 2.68T
Combo Unit # CU-70134	Tube Size	In Tank Cooler
	1.25"	Yes
	Outlets	Notes
	TR/BL	OEM L6 Ford "LATE MODEL" & OEM Big Block (EXC. MODULAR)
73-74 Ranch Wagon See Drawings p.86-103		
Part Number	Rows	Core Size
7-00130	2	29.50W x 19.11L x 2.68T
Combo Unit # CU-00130	Tube Size	In Tank Cooler
	1.25"	No
	Outlets	Notes
	TR/BL	V8 Ford "LATE MODEL" & OEM Big Block (EXC. MODULAR)
Part Number	Rows	Core Size
7-70130	2	29.50W x 19.11L x 2.68T
Combo Unit # CU-70130	Tube Size	In Tank Cooler
	1.25"	Yes
	Outlets	Notes
	TR/BL	V8 Ford "LATE MODEL" & OEM Big Block (EXC. MODULAR)
55-57 T-Bird See Drawings p.86-103		
Part Number	Rows	Core Size
7-00124	2	18.00W x 20.25L x 2.68T
Combo Unit # CU-00124	Tube Size	In Tank Cooler
	1.25"	No
	Outlets	Notes
	TR/BL	V8 Ford Early Model
Part Number	Rows	Core Size
7-70124	2	18.00W x 20.25L x 2.68T
Combo Unit # CU-70124	Tube Size	In Tank Cooler
	1.25"	Yes
	Outlets	Notes
	TR/BL	V8 Ford Early Model

66 Thunderbird See Drawings p.86-103		
Part Number	Rows	Core Size
7-00135	2	22.50W x 17.50L x 2.68T
Combo Unit # CU-00135	Tube Size	In Tank Cooler
	1.25"	No
	Outlets	Notes
	TR/BL	V8 Ford "LATE MODEL" & OEM Big Block (EXC. MODULAR), Crossflow No Filler
Part Number	Rows	Core Size
7-70135	2	22.50W x 17.50L x 2.68T
Combo Unit # CU-70135	Tube Size	In Tank Cooler
	1.25"	Yes
	Outlets	Notes
	TR/BL	V8 Ford "LATE MODEL" & OEM Big Block (EXC. MODULAR), Crossflow No Filler
64 Thunderbolt See Drawings p.86-103		
Part Number	Rows	Core Size
7-00103	2	22.50W x 18.50L x 2.68T
Combo Unit # CU-00103	Tube Size	In Tank Cooler
	1.25"	No
	Outlets	Notes
	TR/BL	V8 Ford "LATE MODEL" & OEM Big Block (EXC. MODULAR)
Part Number	Rows	Core Size
7-70103	2	22.50W x 18.50L x 2.68T
Combo Unit # CU-70103	Tube Size	In Tank Cooler
	1.25"	Yes
	Outlets	Notes
	TR/BL	V8 Ford "LATE MODEL" & OEM Big Block (EXC. MODULAR)
68 Torino See Drawings p.86-103		
Part Number	Rows	Core Size
7-00114	2	17.38W x 23.75L x 2.68T
Combo Unit # CU-00114	Tube Size	In Tank Cooler
	1.25"	No
	Outlets	Notes
	TR/BL	V8 Ford "LATE MODEL" & OEM Big Block (EXC. MODULAR)
Part Number	Rows	Core Size
7-70114	2	17.38W x 23.75L x 2.68T
Combo Unit # CU-70114	Tube Size	In Tank Cooler
	1.25"	Yes
	Outlets	Notes
	TR/BL	V8 Ford "LATE MODEL" & OEM Big Block (EXC. MODULAR)

68-69 Torino See Drawings p.86-103		
Part Number	Rows	Core Size
7-00133	2	17.00W x 20.25L x 2.68T
Combo Unit # CU-00133	Tube Size	In Tank Cooler
	1.25"	No
	Outlets	Notes
	TR/BR	Early Small Block Ford
Part Number	Rows	Core Size
7-70133	2	17.00W x 20.25L x 2.68T
Combo Unit # CU-70133	Tube Size	In Tank Cooler
	1.25"	Yes
	Outlets	Notes
	TR/BR	Early Small Block Ford
Part Number	Rows	Core Size
7-00134	2	17.00W x 20.25L x 2.68T
Combo Unit # CU-00134	Tube Size	In Tank Cooler
	1.25"	No
	Outlets	Notes
	TR/BL	OEM L6 Ford "LATE MODEL" & OEM Big Block (EXC. MODULAR)
Part Number	Rows	Core Size
7-70134	2	17.00W x 20.25L x 2.68T
Combo Unit # CU-70134	Tube Size	In Tank Cooler
	1.25"	Yes
	Outlets	Notes
	TR/BL	OEM L6 Ford "LATE MODEL" & OEM Big Block (EXC. MODULAR)

LINCOLN

74-79 Continental See Drawings p.86-103		
Part Number	Rows	Core Size
7-00130	2	29.50W x 19.11L x 2.68T
Combo Unit # CU-00130	Tube Size	In Tank Cooler
	1.25"	No
	Outlets	Notes
	TR/BL	V8 Ford "LATE MODEL" & OEM Big Block (EXC. MODULAR)
Part Number	Rows	Core Size
7-70130	2	29.50W x 19.11L x 2.68T
Combo Unit # CU-70130	Tube Size	In Tank Cooler
	1.25"	Yes
	Outlets	Notes
	TR/BL	V8 Ford "LATE MODEL" & OEM Big Block (EXC. MODULAR)

78-79 Mark V See Drawings p.86-103		
Part Number	Rows	Core Size
7-00130	2	29.50W x 19.11L x 2.68T
Combo Unit # CU-00130	Tube Size	In Tank Cooler
	1.25"	No
	Outlets	Notes
	TR/BL	V8 Ford "LATE MODEL" & OEM Big Block (EXC. MODULAR)
Part Number	Rows	Core Size
7-70130	2	29.50W x 19.11L x 2.68T
Combo Unit # CU-70130	Tube Size	In Tank Cooler
	1.25"	Yes
	Outlets	Notes
	TR/BL	V8 Ford "LATE MODEL" & OEM Big Block (EXC. MODULAR)

MERCURY

63-65 Comet See Drawings p.86-103		
Part Number	Rows	Core Size
7-70034	2	16.50W x 17.00L x 2.68T
Combo Unit # CU-70034	Tube Size	In Tank Cooler
	1.25"	Yes
	Outlets	Notes
	TR/BR	Small Block Ford "Early" (EXC. MODULAR)
Part Number	Rows	Core Size
7-70035	2	16.50W x 17.00L x 2.68T
Combo Unit # CU-70035	Tube Size	In Tank Cooler
	1.25"	Yes
	Outlets	Notes
	TR/BL	V8 Ford "LATE MODEL" & OEM L6 (EXC. MODULAR)

67-69 Comet See Drawings p.86-103		
Part Number	Rows	Core Size
7-00133	2	17.00W x 20.25L x 2.68T
Combo Unit # CU-00133	Tube Size	In Tank Cooler
	1.25"	No
	Outlets	Notes
	TR/BR	Early Small Block Ford
Part Number	Rows	Core Size
7-70133	2	17.00W x 20.25L x 2.68T
Combo Unit # CU-70133	Tube Size	In Tank Cooler
	1.25"	Yes
	Outlets	Notes
	TR/BR	Early Small Block Ford

Part Number	Rows	Core Size
7-00134	2	17.00W x 20.25L x 2.68T
Combo Unit # CU-00134	Tube Size	In Tank Cooler
	1.25"	No
	Outlets	Notes
	TR/BL	OEM L6 Ford "LATE MODEL" & OEM Big Block (EXC. MODULAR)
Part Number	Rows	Core Size
7-70134	2	17.00W x 20.25L x 2.68T
Combo Unit # CU-70134	Tube Size	In Tank Cooler
	1.25"	Yes
	Outlets	Notes
	TR/BL	OEM L6 Ford "LATE MODEL" & OEM Big Block (EXC. MODULAR)

71-73 Comet See Drawings p.86-103		
Part Number	Rows	Core Size
7-00036	2	16.38W x 20.25L x 2.68T
Combo Unit # CU-00036	Tube Size	In Tank Cooler
	1.25"	No
	Outlets	Notes
	TR/BL	V8 Ford "LATE MODEL" & OEM L6 (EXC. MODULAR)
Part Number	Rows	Core Size
7-00037	2	16.38W x 20.25L x 2.68T
Combo Unit # CU-00037	Tube Size	In Tank Cooler
	1.25"	No
	Outlets	Notes
	TR/BR	Small Block Ford "Early" (EXC. MODULAR)
Part Number	Rows	Core Size
7-70036	2	16.38W x 20.25L x 2.68T
Combo Unit # CU-70036	Tube Size	In Tank Cooler
	1.25"	Yes
	Outlets	Notes
	TR/BL	V8 Ford "LATE MODEL" & OEM L6 (EXC. MODULAR)
Part Number	Rows	Core Size
7-70037	2	16.38W x 20.25L x 2.68T
Combo Unit # CU-70037	Tube Size	In Tank Cooler
	1.25"	Yes
	Outlets	Notes
	TR/BR	Small Block Ford "Early" (EXC. MODULAR)

67-70 Cougar			See Drawings p.86-103
Part Number	Rows	Core Size	
7-00036	2	16.38W x 20.25L x 2.68T	
Combo Unit # CU-00036	Tube Size	In Tank Cooler	
	1.25"	No	
	Outlets	Notes	
	TR/BL	V8 Ford "LATE MODEL" & OEM L6 (EXC. MODULAR)	
Part Number	Rows	Core Size	
7-00037	2	16.38W x 20.25L x 2.68T	
Combo Unit # CU-00037	Tube Size	In Tank Cooler	
	1.25"	No	
	Outlets	Notes	
	TR/BR	Small Block Ford "Early" (EXC. MODULAR)	
Part Number	Rows	Core Size	
7-70036	2	16.38W x 20.25L x 2.68T	
Combo Unit # CU-70036	Tube Size	In Tank Cooler	
	1.25"	Yes	
	Outlets	Notes	
	TR/BL	V8 Ford "LATE MODEL" & OEM L6 (EXC. MODULAR)	
Part Number	Rows	Core Size	
7-70037	2	16.38W x 20.25L x 2.68T	
Combo Unit # CU-70037	Tube Size	In Tank Cooler	
	1.25"	Yes	
	Outlets	Notes	
	TR/BR	Small Block Ford "Early" (EXC. MODULAR)	
68-70 Cougar			See Drawings p.86-103
Part Number	Rows	Core Size	
7-00039	2	15.50W x 24.00L x 2.68T	
Combo Unit # CU-00039	Tube Size	In Tank Cooler	
	1.25"	No	
	Outlets	Notes	
	TR/BL	V8 Ford "LATE MODEL" & OEM Big Block (EXC. MODULAR)	
Part Number	Rows	Core Size	
7-70039	2	15.50W x 24.00L x 2.68T	
Combo Unit # CU-70039	Tube Size	In Tank Cooler	
	1.25"	Yes	
	Outlets	Notes	
	TR/BL	V8 Ford "LATE MODEL" & OEM Big Block (EXC. MODULAR)	

73-78 Marquis			See Drawings p.86-103
Part Number	Rows	Core Size	
7-00130	2	29.50W x 19.11L x 2.68T	
Combo Unit # CU-00130	Tube Size	In Tank Cooler	
	1.25"	No	
	Outlets	Notes	
	TR/BL	V8 Ford "LATE MODEL" & OEM Big Block (EXC. MODULAR)	
Part Number	Rows	Core Size	
7-70130	2	29.50W x 19.11L x 2.68T	
Combo Unit # CU-70130	Tube Size	In Tank Cooler	
	1.25"	Yes	
	Outlets	Notes	
	TR/BL	V8 Ford "LATE MODEL" & OEM Big Block (EXC. MODULAR)	
39-40 Mercury			See Drawings p.86-103
Part Number	Rows	Core Size	
7-00097	2	19.25W x 21.00L x 2.68T	
Combo Unit # CU-00097	Tube Size	In Tank Cooler	
	1.25"	No	
	Outlets	Notes	
	TR/BL	V8 Ford "LATE MODEL" & OEM Big Block (EXC. MODULAR)	
Part Number	Rows	Core Size	
7-00102	2	19.25W x 21.00L x 2.68T	
Combo Unit # CU-00102	Tube Size	In Tank Cooler	
	1.25"	No	
	Outlets	Notes	
	TC/BR	V8 Ford "LATE MODEL" & OEM Big Block (EXC. MODULAR)	
Part Number	Rows	Core Size	
7-70097	2	19.25W x 21.00L x 2.68T	
Combo Unit # CU-70097	Tube Size	In Tank Cooler	
	1.25"	Yes	
	Outlets	Notes	
	TR/BL	V8 Ford "LATE MODEL" & OEM Big Block (EXC. MODULAR)	
Part Number	Rows	Core Size	
7-70102	2	19.25W x 21.00L x 2.68T	
Combo Unit # CU-70102	Tube Size	In Tank Cooler	
	1.25"	Yes	
	Outlets	Notes	
	TC/BR	V8 Ford "LATE MODEL" & OEM Big Block (EXC. MODULAR)	

42-48 Mercury (V8) See Drawings p.86-103

Part Number	Rows	Core Size
7-00099	2	19.00W x 20.25L x 2.68T
Combo Unit # CU-00099	Tube Size	In Tank Cooler
	1.25"	No
	Outlets	Notes
	TC/BR	Early Model First Generation GM V8 (NOT FACTORY)

Part Number	Rows	Core Size
7-70099	2	19.00W x 20.25L x 2.68T
Combo Unit # CU-70099	Tube Size	In Tank Cooler
	1.25"	Yes
	Outlets	Notes
	TC/BR	Early Model First Generation GM V8 (NOT FACTORY)

49-53 Mercury (Car) See Drawings p.86-103

Part Number	Rows	Core Size
7-00136	2	19.00W x 20.13L x 2.68T
Combo Unit # CU-00136	Tube Size	In Tank Cooler
	1.25"	No
	Outlets	Notes
	FLAT HEAD	Late Model Flat Head 1.25" Top & 1.75" Bottom

Part Number	Rows	Core Size
7-70136	2	19.00W x 20.13L x 2.68T
Combo Unit # CU-70136	Tube Size	In Tank Cooler
	1.25"	Yes
	Outlets	Notes
	FLAT HEAD	Late Model Flat Head 1.25" Top & 1.75" Bottom

73 Monterey See Drawings p.86-103

Part Number	Rows	Core Size
7-00130	2	29.50W x 19.11L x 2.68T
Combo Unit # CU-00130	Tube Size	In Tank Cooler
	1.25"	No
	Outlets	Notes
	TR/BL	V8 Ford "LATE MODEL" & OEM Big Block (EXC. MODULAR)

Part Number	Rows	Core Size
7-70130	2	29.50W x 19.11L x 2.68T
Combo Unit # CU-70130	Tube Size	In Tank Cooler
	1.25"	Yes
	Outlets	Notes
	TR/BL	V8 Ford "LATE MODEL" & OEM Big Block (EXC. MODULAR)

OLDSMOBILE

85-88 442 See Drawings p.86-103

Part Number	Rows	Core Size
6-00006	2	28.38W x 18.53L x 2.68T
Combo Unit # CU-00006	Tube Size	In Tank Cooler
	1.25"	No
	Outlets	Notes
	TL/BR	GM "A" & "G" Body +

Part Number	Rows	Core Size
6-00007	2	26.38W x 18.53L x 2.68T
Combo Unit # CU-00007	Tube Size	In Tank Cooler
	1.25"	No
	Outlets	Notes
	TL/BR	GM "A" & "G" Body +

Part Number	Rows	Core Size
6-70006	2	28.38W x 18.53L x 2.68T
Combo Unit # CU-70006	Tube Size	In Tank Cooler
	1.25"	Yes
	Outlets	Notes
	TL/BR	GM "A" & "G" Body +

Part Number	Rows	Core Size
6-70007	2	26.38W x 18.53L x 2.68T
Combo Unit # CU-70007	Tube Size	In Tank Cooler
	1.25"	Yes
	Outlets	Notes
	TL/BR	GM "A" & "G" Body +

66-81 Cutlass See Drawings p.86-103

Part Number	Rows	Core Size
6-00006	2	28.38W x 18.53L x 2.68T
Combo Unit # CU-00006	Tube Size	In Tank Cooler
	1.25"	No
	Outlets	Notes
	TL/BR	GM "A" & "G" Body +

Part Number	Rows	Core Size
6-00007	2	26.38W x 18.53L x 2.68T
Combo Unit # CU-00007	Tube Size	In Tank Cooler
	1.25"	No
	Outlets	Notes
	TL/BR	GM "A" & "G" Body +

Part Number	Rows	Core Size
6-70006	2	28.38W x 18.53L x 2.68T
Combo Unit # CU-70006	Tube Size	In Tank Cooler
	1.25"	Yes
	Outlets	Notes
	TL/BR	GM "A" & "G" Body +

Part Number	Rows	Core Size
6-70007	2	26.38W x 18.53L x 2.68T
Combo Unit # CU-70007	Tube Size	In Tank Cooler
	1.25"	Yes
	Outlets	Notes
	TL/BR	GM "A" & "G" Body +
82-88 Cutlass Supreme		See Drawings p.86-103
Part Number	Rows	Core Size
6-00006	2	28.38W x 18.53L x 2.68T
Combo Unit # CU-00006	Tube Size	In Tank Cooler
	1.25"	No
	Outlets	Notes
	TL/BR	GM "A" & "G" Body +
Part Number	Rows	Core Size
6-00007	2	26.38W x 18.53L x 2.68T
Combo Unit # CU-00007	Tube Size	In Tank Cooler
	1.25"	No
	Outlets	Notes
	TL/BR	GM "A" & "G" Body +
Part Number	Rows	Core Size
6-70006	2	28.38W x 18.53L x 2.68T
Combo Unit # CU-70006	Tube Size	In Tank Cooler
	1.25"	Yes
	Outlets	Notes
	TL/BR	GM "A" & "G" Body +
Part Number	Rows	Core Size
6-70007	2	26.38W x 18.53L x 2.68T
Combo Unit # CU-70007	Tube Size	In Tank Cooler
	1.25"	Yes
	Outlets	Notes
	TL/BR	GM "A" & "G" Body +
71-90 Custom Cruiser		See Drawings p.86-103
Part Number	Rows	Core Size
6-00006	2	28.38W x 18.53L x 2.68T
Combo Unit # CU-00006	Tube Size	In Tank Cooler
	1.25"	No
	Outlets	Notes
	TL/BR	GM "A" & "G" Body +
Part Number	Rows	Core Size
6-00007	2	26.38W x 18.53L x 2.68T
Combo Unit # CU-00007	Tube Size	In Tank Cooler
	1.25"	No
	Outlets	Notes
	TL/BR	GM "A" & "G" Body +

Part Number	Rows	Core Size
6-70006	2	28.38W x 18.53L x 2.68T
Combo Unit # CU-70006	Tube Size	In Tank Cooler
	1.25"	Yes
	Outlets	Notes
	TL/BR	GM "A" & "G" Body +
Part Number	Rows	Core Size
6-70007	2	26.38W x 18.53L x 2.68T
Combo Unit # CU-70007	Tube Size	In Tank Cooler
	1.25"	Yes
	Outlets	Notes
	TL/BR	GM "A" & "G" Body +
65-85 Delta 88		See Drawings p.86-103
Part Number	Rows	Core Size
6-00006	2	28.38W x 18.53L x 2.68T
Combo Unit # CU-00006	Tube Size	In Tank Cooler
	1.25"	No
	Outlets	Notes
	TL/BR	GM "A" & "G" Body +
Part Number	Rows	Core Size
6-00007	2	26.38W x 18.53L x 2.68T
Combo Unit # CU-00007	Tube Size	In Tank Cooler
	1.25"	No
	Outlets	Notes
	TL/BR	GM "A" & "G" Body +
Part Number	Rows	Core Size
6-70006	2	28.38W x 18.53L x 2.68T
Combo Unit # CU-70006	Tube Size	In Tank Cooler
	1.25"	Yes
	Outlets	Notes
	TL/BR	GM "A" & "G" Body +
Part Number	Rows	Core Size
6-70007	2	26.38W x 18.53L x 2.68T
Combo Unit # CU-70007	Tube Size	In Tank Cooler
	1.25"	Yes
	Outlets	Notes
	TL/BR	GM "A" & "G" Body +

WAYS TO PREVENT ELECTROLYSIS?

Unfortunately, only the careful monitoring and proper maintenance of your cooling and electrical system can really prevent electrolysis from destroying your system. ALWAYS make sure the radiator is not used as a ground and that all components are functioning properly. Periodically test your system and check for any discoloration or pinholes – especially around the tube-to-header joints and tubes near the center of the core by the electric fan mounts.

83-84 Hurst Olds			See Drawings p.86-103
Part Number	Rows	Core Size	
6-00006	2	28.38W x 18.53L x 2.68T	
Combo Unit # CU-00006	Tube Size	In Tank Cooler	
	1.25"	No	
	Outlets	Notes	
	TL/BR	GM "A" & "G" Body +	
Part Number	Rows	Core Size	
6-00007	2	26.38W x 18.53L x 2.68T	
Combo Unit # CU-00007	Tube Size	In Tank Cooler	
	1.25"	No	
	Outlets	Notes	
	TL/BR	GM "A" & "G" Body +	
Part Number	Rows	Core Size	
6-70006	2	28.38W x 18.53L x 2.68T	
Combo Unit # CU-70006	Tube Size	In Tank Cooler	
	1.25"	Yes	
	Outlets	Notes	
	TL/BR	GM "A" & "G" Body +	
Part Number	Rows	Core Size	
6-70007	2	26.38W x 18.53L x 2.68T	
Combo Unit # CU-70007	Tube Size	In Tank Cooler	
	1.25"	Yes	
	Outlets	Notes	
	TL/BR	GM "A" & "G" Body +	

65-85 Ninety Eight			See Drawings p.86-103
Part Number	Rows	Core Size	
6-00006	2	28.38W x 18.53L x 2.68T	
Combo Unit # CU-00006	Tube Size	In Tank Cooler	
	1.25"	No	
	Outlets	Notes	
	TL/BR	GM "A" & "G" Body +	
Part Number	Rows	Core Size	
6-00007	2	26.38W x 18.53L x 2.68T	
Combo Unit # CU-00007	Tube Size	In Tank Cooler	
	1.25"	No	
	Outlets	Notes	
	TL/BR	GM "A" & "G" Body +	
Part Number	Rows	Core Size	
6-70006	2	28.38W x 18.53L x 2.68T	
Combo Unit # CU-70006	Tube Size	In Tank Cooler	
	1.25"	Yes	
	Outlets	Notes	
	TL/BR	GM "A" & "G" Body +	
Part Number	Rows	Core Size	
6-70007	2	26.38W x 18.53L x 2.68T	
Combo Unit # CU-70007	Tube Size	In Tank Cooler	
	1.25"	Yes	
	Outlets	Notes	
	TL/BR	GM "A" & "G" Body +	

73-79 Omega			See Drawings p.86-103
Part Number	Rows	Core Size	
6-00006	2	28.38W x 18.53L x 2.68T	
Combo Unit # CU-00006	Tube Size	In Tank Cooler	
	1.25"	No	
	Outlets	Notes	
	TL/BR	GM "A" & "G" Body +	
Part Number	Rows	Core Size	
6-00007	2	26.38W x 18.53L x 2.68T	
Combo Unit # CU-00007	Tube Size	In Tank Cooler	
	1.25"	No	
	Outlets	Notes	
	TL/BR	GM "A" & "G" Body +	
Part Number	Rows	Core Size	
6-70006	2	28.38W x 18.53L x 2.68T	
Combo Unit # CU-70006	Tube Size	In Tank Cooler	
	1.25"	Yes	
	Outlets	Notes	
	TL/BR	GM "A" & "G" Body +	
Part Number	Rows	Core Size	
6-70007	2	26.38W x 18.53L x 2.68T	
Combo Unit # CU-70007	Tube Size	In Tank Cooler	
	1.25"	Yes	
	Outlets	Notes	
	TL/BR	GM "A" & "G" Body +	

84-85 Regency 98			See Drawings p.86-103
Part Number	Rows	Core Size	
6-00006	2	28.38W x 18.53L x 2.68T	
Combo Unit # CU-00006	Tube Size	In Tank Cooler	
	1.25"	No	
	Outlets	Notes	
	TL/BR	GM "A" & "G" Body +	
Part Number	Rows	Core Size	
6-00007	2	26.38W x 18.53L x 2.68T	
Combo Unit # CU-00007	Tube Size	In Tank Cooler	
	1.25"	No	
	Outlets	Notes	
	TL/BR	GM "A" & "G" Body +	
Part Number	Rows	Core Size	
6-70006	2	28.38W x 18.53L x 2.68T	
Combo Unit # CU-70006	Tube Size	In Tank Cooler	
	1.25"	Yes	
	Outlets	Notes	
	TL/BR	GM "A" & "G" Body +	
Part Number	Rows	Core Size	
6-70007	2	26.38W x 18.53L x 2.68T	
Combo Unit # CU-70007	Tube Size	In Tank Cooler	
	1.25"	Yes	
	Outlets	Notes	
	TL/BR	GM "A" & "G" Body +	

66-85 Toronado See Drawings p.86-103		
Part Number	Rows	Core Size
6-00006	2	28.38W x 18.53L x 2.68T
Combo Unit # CU-00006	Tube Size	In Tank Cooler
	1.25"	No
	Outlets	Notes
	TL/BR	GM "A" & "G" Body +
Part Number	Rows	Core Size
6-00007	2	26.38W x 18.53L x 2.68T
Combo Unit # CU-00007	Tube Size	In Tank Cooler
	1.25"	No
	Outlets	Notes
	TL/BR	GM "A" & "G" Body +
Part Number	Rows	Core Size
6-70006	2	28.38W x 18.53L x 2.68T
Combo Unit # CU-70006	Tube Size	In Tank Cooler
	1.25"	Yes
	Outlets	Notes
	TL/BR	GM "A" & "G" Body +
Part Number	Rows	Core Size
6-70007	2	26.38W x 18.53L x 2.68T
Combo Unit # CU-70007	Tube Size	In Tank Cooler
	1.25"	Yes
	Outlets	Notes
	TL/BR	GM "A" & "G" Body +

PLYMOUTH

70-74 AAR See Drawings p.86-103		
Part Number	Rows	Core Size
5-00028	2	18.00W x 21.88L x 2.68T
Combo Unit # CU-00028	Tube Size	In Tank Cooler
	1.25"	No
	Outlets	Notes
	TL/BL	Mopar "B" & "E" Body Big Block
Part Number	Rows	Core Size
5-00043	2	18.00W x 21.88L x 2.68T
Combo Unit # CU-00043	Tube Size	In Tank Cooler
	1.25"	No
	Outlets	Notes
	TL/BR	Mopar "B" & "E" Late Model V8 & OEM L6
Part Number	Rows	Core Size
5-00044	2	18.00W x 21.88L x 2.68T
Combo Unit # CU-00044	Tube Size	In Tank Cooler
	1.25"	No
	Outlets	Notes
	TR/BR	Mopar "B" & "E" OEM L6

Part Number	Rows	Core Size
5-70028	2	18.00W x 21.88L x 2.68T
Combo Unit # CU-70028	Tube Size	In Tank Cooler
	1.25"	Yes
	Outlets	Notes
	TL/BL	Mopar "B" & "E" Body Big Block
Part Number	Rows	Core Size
5-70043	2	18.00W x 21.88L x 2.68T
Combo Unit # CU-70043	Tube Size	In Tank Cooler
	1.25"	Yes
	Outlets	Notes
	TL/BR	Mopar "B" & "E" Late Model V8 & OEM L6
Part Number	Rows	Core Size
5-70044	2	18.00W x 21.88L x 2.68T
Combo Unit # CU-70044	Tube Size	In Tank Cooler
	1.25"	Yes
	Outlets	Notes
	TR/BR	Mopar "B" & "E" OEM L6
68-69 Barracuda See Drawings p.86-103		
Part Number	Rows	Core Size
5-00023	2	17.00W x 18.57L x 2.68T
Combo Unit # CU-00023	Tube Size	In Tank Cooler
	1.25"	No
	Outlets	Notes
	TR/BR	Mopar "A" Body L6
Part Number	Rows	Core Size
5-70023	2	17.00W x 18.57L x 2.68T
Combo Unit # CU-70023	Tube Size	In Tank Cooler
	1.25"	Yes
	Outlets	Notes
	TR/BR	Mopar "A" Body L6
70-74 Barracuda See Drawings p.86-103		
Part Number	Rows	Core Size
5-00022	2	18.00W x 18.57L x 2.68T
Combo Unit # CU-00022	Tube Size	In Tank Cooler
	1.25"	No
	Outlets	Notes
	TL/BR	Mopar "B" & "E" Body Small Core Small Block
Part Number	Rows	Core Size
5-00028	2	18.00W x 21.88L x 2.68T
Combo Unit # CU-00028	Tube Size	In Tank Cooler
	1.25"	No
	Outlets	Notes
Continue to next page	TL/BL	Mopar "B" & "E" Body Big Block

Part Number	Rows	Core Size
5-00043	2	18.00W x 21.88L x 2.68T
Combo Unit # CU-00043	Tube Size	In Tank Cooler
	1.25"	No
	Outlets	Notes
	TL/BR	Mopar "B" & "E" Late Model V8 & OEM L6
Part Number	Rows	Core Size
5-00044	2	18.00W x 21.88L x 2.68T
Combo Unit # CU-00044	Tube Size	In Tank Cooler
	1.25"	No
	Outlets	Notes
	TR/BR	Mopar "B" & "E" OEM L6
Part Number	Rows	Core Size
5-00057	2	17.38W x 25.50L x 2.68T
Combo Unit # CU-00057	Tube Size	In Tank Cooler
	1.25"	No
	Outlets	Notes
	TL/BR	Small Block "E" Body Mopar with AC
Part Number	Rows	Core Size
5-00058	2	17.38W x 25.50L x 2.68T
Combo Unit # CU-00058	Tube Size	In Tank Cooler
	1.25"	No
	Outlets	Notes
	TR/BL	Big Block "E" Body Mopar with AC
Part Number	Rows	Core Size
5-70022	2	18.00W x 18.57L x 2.68T
Combo Unit # CU-70022	Tube Size	In Tank Cooler
	1.25"	Yes
	Outlets	Notes
	TL/BR	Mopar "B" & "E" Body Small Core Small Block
Part Number	Rows	Core Size
5-70028	2	18.00W x 21.88L x 2.68T
Combo Unit # CU-70028	Tube Size	In Tank Cooler
	1.25"	Yes
	Outlets	Notes
	TL/BL	Mopar "B" & "E" Body Big Block
Part Number	Rows	Core Size
5-70043	2	18.00W x 21.88L x 2.68T
Combo Unit # CU-70043	Tube Size	In Tank Cooler
	1.25"	Yes
	Outlets	Notes
	TL/BR	Mopar "B" & "E" Late Model V8 & OEM L6

Part Number	Rows	Core Size
5-70044	2	18.00W x 21.88L x 2.68T
Combo Unit # CU-70044	Tube Size	In Tank Cooler
	1.25"	Yes
	Outlets	Notes
	TR/BR	Mopar "B" & "E" OEM L6
Part Number	Rows	Core Size
5-70057	2	17.38W x 25.50L x 2.68T
Combo Unit # CU-70057	Tube Size	In Tank Cooler
	1.25"	Yes
	Outlets	Notes
	TL/BR	Small Block "E" Body Mopar with AC
Part Number	Rows	Core Size
5-70058	2	17.38W x 25.50L x 2.68T
Combo Unit # CU-70058	Tube Size	In Tank Cooler
	1.25"	Yes
	Outlets	Notes
	TR/BL	Big Block "E" Body Mopar with AC
62-65 Belvedere		See Drawings p.86-103
Part Number	Rows	Core Size
5-00024	2	18.00W x 21.88L x 2.68T
Combo Unit # CU-00024	Tube Size	In Tank Cooler
	1.25"	No
	Outlets	Notes
	TR/BL	Mopar "B" Body Big Block
Part Number	Rows	Core Size
5-00025	2	18.00W x 21.88L x 2.68T
Combo Unit # CU-00025	Tube Size	In Tank Cooler
	1.25"	No
	Outlets	Notes
	TL/BL	Mopar "B" Body Small Block
Part Number	Rows	Core Size
5-70024	2	18.00W x 21.88L x 2.68T
Combo Unit # CU-70024	Tube Size	In Tank Cooler
	1.25"	Yes
	Outlets	Notes
	TR/BL	Mopar "B" Body Big Block
Part Number	Rows	Core Size
5-70025	2	18.00W x 21.88L x 2.68T
Combo Unit # CU-70025	Tube Size	In Tank Cooler
	1.25"	Yes
	Outlets	Notes
	TL/BL	Mopar "B" Body Small Block

66-69 Belvedere		See Drawings p.86-103
Part Number	Rows	Core Size
5-00003	2	17.38W x 25.50L x 2.68T
Combo Unit # CU-00003	Tube Size	In Tank Cooler
	1.25"	No
	Outlets	Notes
	TL/BL	Small Block Mopar "B" Body All
Part Number	Rows	Core Size
5-00004	2	17.38W x 25.50L x 2.68T
Combo Unit # CU-00004	Tube Size	In Tank Cooler
	1.25"	No
	Outlets	Notes
	TR/BL	Big Block Mopar "B" Body All
Part Number	Rows	Core Size
5-00027	2	17.50W x 21.20L x 2.68T
Combo Unit # CU-00027	Tube Size	In Tank Cooler
	1.25"	No
	Outlets	Notes
	TL/BL	Small Block Mopar "B" Body All
Part Number	Rows	Core Size
5-70003	2	17.38W x 25.50L x 2.68T
Combo Unit # CU-70003	Tube Size	In Tank Cooler
	1.25"	Yes
	Outlets	Notes
	TL/BL	Small Block Mopar "B" Body All
Part Number	Rows	Core Size
5-70004	2	17.38W x 25.50L x 2.68T
Combo Unit # CU-70004	Tube Size	In Tank Cooler
	1.25"	Yes
	Outlets	Notes
	TR/BL	Big Block Mopar "B" Body All
Part Number	Rows	Core Size
5-70027	2	17.50W x 21.20L x 2.68T
Combo Unit # CU-70027	Tube Size	In Tank Cooler
	1.25"	Yes
	Outlets	Notes
	TL/BL	Small Block Mopar "B" Body All
69-72 Belvedere		See Drawings p.86-103
Part Number	Rows	Core Size
5-00028	2	18.00W x 21.88L x 2.68T
Combo Unit # CU-00028	Tube Size	In Tank Cooler
	1.25"	No
	Outlets	Notes
	TL/BL	Mopar "B" & "E" Body Big Block

Part Number	Rows	Core Size
5-00043	2	18.00W x 21.88L x 2.68T
Combo Unit # CU-00043	Tube Size	In Tank Cooler
	1.25"	No
	Outlets	Notes
	TL/BR	Mopar "B" & "E" Late Model V8 & OEM L6
Part Number	Rows	Core Size
5-00044	2	18.00W x 21.88L x 2.68T
Combo Unit # CU-00044	Tube Size	In Tank Cooler
	1.25"	No
	Outlets	Notes
	TR/BR	Mopar "B" & "E" OEM L6
Part Number	Rows	Core Size
5-70028	2	18.00W x 21.88L x 2.68T
Combo Unit # CU-70028	Tube Size	In Tank Cooler
	1.25"	Yes
	Outlets	Notes
	TL/BL	Mopar "B" & "E" Body Big Block
Part Number	Rows	Core Size
5-70043	2	18.00W x 21.88L x 2.68T
Combo Unit # CU-70043	Tube Size	In Tank Cooler
	1.25"	Yes
	Outlets	Notes
	TL/BR	Mopar "B" & "E" Late Model V8 & OEM L6
Part Number	Rows	Core Size
5-70044	2	18.00W x 21.88L x 2.68T
Combo Unit # CU-70044	Tube Size	In Tank Cooler
	1.25"	Yes
	Outlets	Notes
	TR/BR	Mopar "B" & "E" OEM L6

How many fins per inch do you use?
 It depends on the application. More fins per inch generally increases the heat rejection capability of the radiator, but also increases the pressure drop through the radiator. The radiator needs to be properly designed to meet your specific engine cooling requirements.

70-74 Cuda AAR		See Drawings p.86-103
Part Number	Rows	Core Size
5-00022	2	18.00W x 18.57L x 2.68T
Combo Unit # CU-00022	Tube Size	In Tank Cooler
	1.25"	No
	Outlets	Notes
	TL/BR	Mopar "B" & "E" Body Small Core Small Block
Part Number	Rows	Core Size
5-00057	2	17.38W x 25.50L x 2.68T
Combo Unit # CU-00057	Tube Size	In Tank Cooler
	1.25"	No
	Outlets	Notes
	TL/BR	Small Block "E" Body Mopar with AC
Part Number	Rows	Core Size
5-00058	2	17.38W x 25.50L x 2.68T
Combo Unit # CU-00058	Tube Size	In Tank Cooler
	1.25"	No
	Outlets	Notes
	TR/BL	Big Block "E" Body Mopar with AC
Part Number	Rows	Core Size
5-70022	2	18.00W x 18.57L x 2.68T
Combo Unit # CU-70022	Tube Size	In Tank Cooler
	1.25"	Yes
	Outlets	Notes
	TL/BR	Mopar "B" & "E" Body Small Core Small Block
Part Number	Rows	Core Size
5-70057	2	17.38W x 25.50L x 2.68T
Combo Unit # CU-70057	Tube Size	In Tank Cooler
	1.25"	Yes
	Outlets	Notes
	TL/BR	Small Block "E" Body Mopar with AC
Part Number	Rows	Core Size
5-70058	2	17.38W x 25.50L x 2.68T
Combo Unit # CU-70058	Tube Size	In Tank Cooler
	1.25"	Yes
	Outlets	Notes
	TR/BL	Big Block "E" Body Mopar with AC
70-74 Cuda		See Drawings p.86-103
Part Number	Rows	Core Size
5-00022	2	18.00W x 18.57L x 2.68T
Combo Unit # CU-00022	Tube Size	In Tank Cooler
	1.25"	No
	Outlets	Notes
	TL/BR	Mopar "B" & "E" Body Small Core Small Block

Part Number	Rows	Core Size
5-00028	2	18.00W x 21.88L x 2.68T
Combo Unit # CU-00028	Tube Size	In Tank Cooler
	1.25"	No
	Outlets	Notes
	TL/BL	Mopar "B" & "E" Body Big Block
Part Number	Rows	Core Size
5-00043	2	18.00W x 21.88L x 2.68T
Combo Unit # CU-00043	Tube Size	In Tank Cooler
	1.25"	No
	Outlets	Notes
	TL/BR	Mopar "B" & "E" Late Model V8 & OEM L6
Part Number	Rows	Core Size
5-00044	2	18.00W x 21.88L x 2.68T
Combo Unit # CU-00044	Tube Size	In Tank Cooler
	1.25"	No
	Outlets	Notes
	TR/BR	Mopar "B" & "E" OEM L6
Part Number	Rows	Core Size
5-00057	2	17.38W x 25.50L x 2.68T
Combo Unit # CU-00057	Tube Size	In Tank Cooler
	1.25"	No
	Outlets	Notes
	TL/BR	Small Block "E" Body Mopar with AC
Part Number	Rows	Core Size
5-00058	2	17.38W x 25.50L x 2.68T
Combo Unit # CU-00058	Tube Size	In Tank Cooler
	1.25"	No
	Outlets	Notes
	TR/BL	Big Block "E" Body Mopar with AC
Part Number	Rows	Core Size
5-70022	2	18.00W x 18.57L x 2.68T
Combo Unit # CU-70022	Tube Size	In Tank Cooler
	1.25"	Yes
	Outlets	Notes
	TL/BR	Mopar "B" & "E" Body Small Core Small Block
Part Number	Rows	Core Size
5-70028	2	18.00W x 21.88L x 2.68T
Combo Unit # CU-70028	Tube Size	In Tank Cooler
	1.25"	Yes
	Outlets	Notes
	TL/BL	Mopar "B" & "E" Body Big Block

Part Number	Rows	Core Size
5-70043	2	18.00W x 21.88L x 2.68T
Combo Unit # CU-70043	Tube Size	In Tank Cooler
	1.25"	Yes
	Outlets	Notes
	TL/BR	Mopar "B" & "E" Late Model V8 & OEM L6
Part Number	Rows	Core Size
5-70044	2	18.00W x 21.88L x 2.68T
Combo Unit # CU-70044	Tube Size	In Tank Cooler
	1.25"	Yes
	Outlets	Notes
	TR/BR	Mopar "B" & "E" OEM L6
Part Number	Rows	Core Size
5-70057	2	17.38W x 25.50L x 2.68T
Combo Unit # CU-70057	Tube Size	In Tank Cooler
	1.25"	Yes
	Outlets	Notes
	TL/BR	Small Block "E" Body Mopar with AC
Part Number	Rows	Core Size
5-70058	2	17.38W x 25.50L x 2.68T
Combo Unit # CU-70058	Tube Size	In Tank Cooler
	1.25"	Yes
	Outlets	Notes
	TR/BL	Big Block "E" Body Mopar with AC
74-76 Duster See Drawings p.86-103		
Part Number	Rows	Core Size
5-00020	2	18.00W x 22.00L x 2.68T
Combo Unit # CU-00020	Tube Size	In Tank Cooler
	1.25"	No
	Outlets	Notes
	TL/BR	Mopar "A" & "F" Body large 6 cylinder HD
Part Number	Rows	Core Size
5-70020	2	18.00W x 22.00L x 2.68T
Combo Unit # CU-70020	Tube Size	In Tank Cooler
	1.25"	Yes
	Outlets	Notes
	TL/BR	Mopar "A" & "F" Body large 6 cylinder HD
66-70 Fury (All) See Drawings p.86-103		
Part Number	Rows	Core Size
5-00012	2	17.38W x 25.50L x 2.68T
Combo Unit # CU-00012	Tube Size	In Tank Cooler
	1.25"	No
	Outlets	Notes
	TR/BL	Big Block Mopar "C" Body All

Part Number	Rows	Core Size
5-00026	2	17.38W x 25.50L x 2.68T
Combo Unit # CU-00026	Tube Size	In Tank Cooler
	1.25"	No
	Outlets	Notes
	TR/BL	Small Block Mopar "C" Body All
Part Number	Rows	Core Size
5-70012	2	17.38W x 25.50L x 2.68T
Combo Unit # CU-70012	Tube Size	In Tank Cooler
	1.25"	Yes
	Outlets	Notes
	TR/BL	Big Block Mopar "C" Body All
Part Number	Rows	Core Size
5-70026	2	17.38W x 25.50L x 2.68T
Combo Unit # CU-70026	Tube Size	In Tank Cooler
	1.25"	Yes
	Outlets	Notes
	TR/BL	Small Block Mopar "C" Body All
74-77 Fury See Drawings p.86-103		
Part Number	Rows	Core Size
5-00021	2	19.75W x 27.88L x 2.68T
Combo Unit # CU-00021	Tube Size	In Tank Cooler
	1.25"	No
	Outlets	Notes
	TL/BR	Mopar "B" Body Big Block
Part Number	Rows	Core Size
5-70021	2	19.75W x 27.88L x 2.68T
Combo Unit # CU-70021	Tube Size	In Tank Cooler
	1.25"	Yes
	Outlets	Notes
	TL/BR	Mopar "B" Body Big Block
75-78 Fury See Drawings p.86-103		
Part Number	Rows	Core Size
5-00069	2	18.75W x 28.25L x 2.68T
Combo Unit # CU-00069	Tube Size	In Tank Cooler
	1.25"	No
	Outlets	Notes
	TL/BR	Small Block Mopar "B" Body All
Part Number	Rows	Core Size
5-00070	2	18.75W x 28.25L x 2.68T
Combo Unit # CU-00070	Tube Size	In Tank Cooler
	1.25"	No
	Outlets	Notes
Continue to next page	TR/BR	Big Block Mopar "B" Body All

Part Number	Rows	Core Size
5-70069	2	18.75W x 28.25L x 2.68T
Combo Unit # CU-70069	Tube Size	In Tank Cooler
	1.25"	Yes
	Outlets	Notes
	TL/BR	Small Block Mopar "B" Body All
Part Number	Rows	Core Size
5-70070	2	18.75W x 28.25L x 2.68T
Combo Unit # CU-70070	Tube Size	In Tank Cooler
	1.25"	Yes
	Outlets	Notes
	TR/BR	Big Block Mopar "B" Body All
74-77 Gran Fury		See Drawings p.86-103
Part Number	Rows	Core Size
5-00021	2	19.75W x 27.88L x 2.68T
Combo Unit # CU-00021	Tube Size	In Tank Cooler
	1.25"	No
	Outlets	Notes
	TL/BR	Mopar "B" Body Big
Part Number	Rows	Core Size
5-70021	2	19.75W x 27.88L x 2.68T
Combo Unit # CU-70021	Tube Size	In Tank Cooler
	1.25"	Yes
	Outlets	Notes
	TL/BR	Mopar "B" Body Big Block
81-89 Gran Fury		See Drawings p.86-103
Part Number	Rows	Core Size
5-00033	1	18.00W x 26.38L x 1.50T
Combo Unit # CU-00033	Tube Size	In Tank Cooler
	1.5"	No
	Outlets	Notes
	TL/BR	Small Block Mopar "F" Body All
Part Number	Rows	Core Size
5-70033	1	18.00W x 26.38L x 1.50T
Combo Unit # CU-70033	Tube Size	In Tank Cooler
	1.5"	Yes
	Outlets	Notes
	TL/BR	Small Block Mopar "F" Body All
66-69 GTX		See Drawings p.86-103
Part Number	Rows	Core Size
5-00027	2	17.50W x 21.20L x 2.68T
Combo Unit # CU-00027	Tube Size	In Tank Cooler
	1.25"	No
	Outlets	Notes
	TL/BL	Small Block Mopar "B" Body All

Part Number	Rows	Core Size
5-70027	2	17.50W x 21.20L x 2.68T
Combo Unit # CU-70027	Tube Size	In Tank Cooler
	1.25"	No
	Outlets	Notes
	TL/BL	Small Block Mopar "B" Body All
67-69 GTX		See Drawings p.86-103
Part Number	Rows	Core Size
5-00003	2	17.38W x 25.50L x 2.68T
Combo Unit # CU-00003	Tube Size	In Tank Cooler
	1.25"	No
	Outlets	Notes
	TL/BL	Small Block Mopar "B" Body All
Part Number	Rows	Core Size
5-00004	2	17.38W x 25.50L x 2.68T
Combo Unit # CU-00004	Tube Size	In Tank Cooler
	1.25"	No
	Outlets	Notes
	TR/BL	Big Block Mopar "B" Body All
Part Number	Rows	Core Size
5-70003	2	17.38W x 25.50L x 2.68T
Combo Unit # CU-70003	Tube Size	In Tank Cooler
	1.25"	Yes
	Outlets	Notes
	TL/BL	Small Block Mopar "B" Body All
Part Number	Rows	Core Size
5-70004	2	17.38W x 25.50L x 2.68T
Combo Unit # CU-70004	Tube Size	In Tank Cooler
	1.25"	Yes
	Outlets	Notes
	TR/BL	Big Block Mopar "B" Body All
70-72 GTX		See Drawings p.86-103
Part Number	Rows	Core Size
5-00028	2	18.00W x 21.88L x 2.68T
Combo Unit # CU-00028	Tube Size	In Tank Cooler
	1.25"	No
	Outlets	Notes
	TL/BL	Mopar "B" & "E" Body Big Block
Part Number	Rows	Core Size
5-00043	2	18.00W x 21.88L x 2.68T
Combo Unit # CU-00043	Tube Size	In Tank Cooler
	1.25"	No
	Outlets	Notes
	TL/BR	Mopar "B" & "E" Late Model V8 & OEM L6

Part Number	Rows	Core Size
5-00044	2	18.00W x 21.88L x 2.68T
Combo Unit # CU-00044	Tube Size	In Tank Cooler
	1.25"	No
	Outlets	Notes
	TR/BR	Mopar "B" & "E" OEM L6
Part Number	Rows	Core Size
5-70028	2	18.00W x 21.88L x 2.68T
Combo Unit # CU-70028	Tube Size	In Tank Cooler
	1.25"	Yes
	Outlets	Notes
	TL/BL	Mopar "B" & "E" Body Big Block
Part Number	Rows	Core Size
5-70043	2	18.00W x 21.88L x 2.68T
Combo Unit # CU-70043	Tube Size	In Tank Cooler
	1.25"	Yes
	Outlets	Notes
	TL/BR	Mopar "B" & "E" Late Model V8 & OEM L6
Part Number	Rows	Core Size
5-70044	2	18.00W x 21.88L x 2.68T
Combo Unit # CU-70044	Tube Size	In Tank Cooler
	1.25"	Yes
	Outlets	Notes
	TR/BR	Mopar "B" & "E" OEM L6
70-74 Hemicuda See Drawings p.86-103		
Part Number	Rows	Core Size
5-00022	2	18.00W x 18.57L x 2.68T
Combo Unit # CU-00022	Tube Size	In Tank Cooler
	1.25"	No
	Outlets	Notes
	TL/BR	Mopar "B" & "E" Body Small Core Small Block
Part Number	Rows	Core Size
5-00028	2	18.00W x 21.88L x 2.68T
Combo Unit # CU-00028	Tube Size	In Tank Cooler
	1.25"	No
	Outlets	Notes
	TL/BL	Mopar "B" & "E" Body Big Block
Part Number	Rows	Core Size
5-00043	2	18.00W x 21.88L x 2.68T
Combo Unit # CU-00043	Tube Size	In Tank Cooler
	1.25"	No
	Outlets	Notes
	TL/BR	Mopar "B" & "E" Late Model V8 & OEM L6

Part Number	Rows	Core Size
5-00044	2	18.00W x 21.88L x 2.68T
Combo Unit # CU-00044	Tube Size	In Tank Cooler
	1.25"	No
	Outlets	Notes
	TR/BR	Mopar "B" & "E" OEM L6
Part Number	Rows	Core Size
5-00057	2	17.38W x 25.50L x 2.68T
Combo Unit # CU-00057	Tube Size	In Tank Cooler
	1.25"	No
	Outlets	Notes
	TL/BR	Small Block "E" Body Mopar with AC
Part Number	Rows	Core Size
5-00058	2	17.38W x 25.50L x 2.68T
Combo Unit # CU-00058	Tube Size	In Tank Cooler
	1.25"	No
	Outlets	Notes
	TR/BL	Big Block "E" Body Mopar with AC
Part Number	Rows	Core Size
5-70022	2	18.00W x 18.57L x 2.68T
Combo Unit # CU-70022	Tube Size	In Tank Cooler
	1.25"	Yes
	Outlets	Notes
	TL/BR	Mopar "B" & "E" Body Small Core Small Block
Part Number	Rows	Core Size
5-70028	2	18.00W x 21.88L x 2.68T
Combo Unit # CU-70028	Tube Size	In Tank Cooler
	1.25"	Yes
	Outlets	Notes
	TL/BL	Mopar "B" & "E" Body Big Block
Part Number	Rows	Core Size
5-70043	2	18.00W x 21.88L x 2.68T
Combo Unit # CU-70043	Tube Size	In Tank Cooler
	1.25"	Yes
	Outlets	Notes
	TL/BR	Mopar "B" & "E" Late Model V8 & OEM L6
Part Number	Rows	Core Size
5-70044	2	18.00W x 21.88L x 2.68T
Combo Unit # CU-70044	Tube Size	In Tank Cooler
	1.25"	Yes
	Outlets	Notes
Continue to next page	TR/BR	Mopar "B" & "E" OEM L6

Part Number	Rows	Core Size
5-70057	2	17.38W x 25.50L x 2.68T
Combo Unit # CU-70057	Tube Size	In Tank Cooler
	1.25"	Yes
	Outlets	Notes
	TL/BR	Small Block "E" Body Mopar with AC
Part Number	Rows	Core Size
5-70058	2	17.38W x 25.50L x 2.68T
Combo Unit # CU-70058	Tube Size	In Tank Cooler
	1.25"	Yes
	Outlets	Notes
	TR/BL	Big Block "E" Body Mopar with AC
68-69 Road Runner See Drawings p.86-103		
Part Number	Rows	Core Size
5-00069	2	18.75W x 28.25L x 2.68T
Combo Unit # CU-00069	Tube Size	In Tank Cooler
	1.25"	No
	Outlets	Notes
	TL/BR	Small Block Mopar "B" Body All
Part Number	Rows	Core Size
5-00070	2	18.75W x 28.25L x 2.68T
Combo Unit # CU-00070	Tube Size	In Tank Cooler
	1.25"	No
	Outlets	Notes
	TR/BR	Big Block Mopar "B" Body All
Part Number	Rows	Core Size
5-70069	2	18.75W x 28.25L x 2.68T
Combo Unit # CU-70069	Tube Size	In Tank Cooler
	1.25"	Yes
	Outlets	Notes
	TL/BR	Small Block Mopar "B" Body All
Part Number	Rows	Core Size
5-70070	2	18.75W x 28.25L x 2.68T
Combo Unit # CU-70070	Tube Size	In Tank Cooler
	1.25"	Yes
	Outlets	Notes
	TR/BR	Big Block Mopar "B" Body All
70-73 Road Runner See Drawings p.86-103		
Part Number	Rows	Core Size
5-00001	2	17.38W x 25.50L x 2.68T
Combo Unit # CU-00001	Tube Size	In Tank Cooler
	1.25"	No
	Outlets	Notes
	TL/BR	Small Block "B" Body Mopar with AC

Part Number	Rows	Core Size
5-00005	2	17.38W x 25.50L x 2.68T
Combo Unit # CU-00005	Tube Size	In Tank Cooler
	1.25"	No
	Outlets	Notes
	TR/BL	Big Block "B" Body Mopar
Part Number	Rows	Core Size
5-00022	2	18.00W x 18.57L x 2.68T
Combo Unit # CU-00022	Tube Size	In Tank Cooler
	1.25"	No
	Outlets	Notes
	TL/BR	Mopar "B" & "E" Body Small Core Small Block
Part Number	Rows	Core Size
5-00045	2	17.38W x 25.50L x 2.68T
Combo Unit # CU-00045	Tube Size	In Tank Cooler
	1.25"	No
	Outlets	Notes
	TR/BR	Big Block "B" Body Mopar with AC
Part Number	Rows	Core Size
5-70001	2	17.38W x 25.50L x 2.68T
Combo Unit # CU-70001	Tube Size	In Tank Cooler
	1.25"	Yes
	Outlets	Notes
	TL/BR	Small Block "B" Body Mopar with AC
Part Number	Rows	Core Size
5-70005	2	17.38W x 25.50L x 2.68T
Combo Unit # CU-70005	Tube Size	In Tank Cooler
	1.25"	Yes
	Outlets	Notes
	TR/BL	Big Block "B" Body Mopar
Part Number	Rows	Core Size
5-70022	2	18.00W x 18.57L x 2.68T
Combo Unit # CU-70022	Tube Size	In Tank Cooler
	1.25"	Yes
	Outlets	Notes
	TL/BR	Mopar "B" & "E" Body Small Core Small Block
Part Number	Rows	Core Size
5-70045	2	17.38W x 25.50L x 2.68T
Combo Unit # CU-70045	Tube Size	In Tank Cooler
	1.25"	Yes
	Outlets	Notes
	TR/BR	Big Block "B" Body Mopar with AC

73-74 Road Runner		See Drawings p.86-103
Part Number	Rows	Core Size
5-00069	2	18.75W x 28.25L x 2.68T
Combo Unit # CU-00069	Tube Size	In Tank Cooler
	1.25"	No
	Outlets	Notes
	TL/BR	Small Block Mopar "B" Body All
Part Number	Rows	Core Size
5-00070	2	18.75W x 28.25L x 2.68T
Combo Unit # CU-00070	Tube Size	In Tank Cooler
	1.25"	No
	Outlets	Notes
	TR/BR	Big Block Mopar "B" Body All
Part Number	Rows	Core Size
5-70069	2	18.75W x 28.25L x 2.68T
Combo Unit # CU-70069	Tube Size	In Tank Cooler
	1.25"	Yes
	Outlets	Notes
	TL/BR	Small Block Mopar "B" Body All
Part Number	Rows	Core Size
5-70070	2	18.75W x 28.25L x 2.68T
Combo Unit # CU-70070	Tube Size	In Tank Cooler
	1.25"	Yes
	Outlets	Notes
	TR/BR	Big Block Mopar "B" Body All
69-72 Satellite		See Drawings p.86-103
Part Number	Rows	Core Size
5-00028	2	18.00W x 21.88L x 2.68T
Combo Unit # CU-00028	Tube Size	In Tank Cooler
	1.25"	No
	Outlets	Notes
	TL/BL	Mopar "B" & "E" Body Big Block
Part Number	Rows	Core Size
5-00043	2	18.00W x 21.88L x 2.68T
Combo Unit # CU-00043	Tube Size	In Tank Cooler
	1.25"	No
	Outlets	Notes
	TL/BR	Mopar "B" & "E" Late Model V8 & OEM L6
Part Number	Rows	Core Size
5-00044	2	18.00W x 21.88L x 2.68T
Combo Unit # CU-00044	Tube Size	In Tank Cooler
	1.25"	No
	Outlets	Notes
	TR/BR	Mopar "B" & "E" OEM L6

Part Number	Rows	Core Size
5-70028	2	18.00W x 21.88L x 2.68T
Combo Unit # CU-70028	Tube Size	In Tank Cooler
	1.25"	Yes
	Outlets	Notes
	TL/BL	Mopar "B" & "E" Body Big Block
Part Number	Rows	Core Size
5-70043	2	18.00W x 21.88L x 2.68T
Combo Unit # CU-70043	Tube Size	In Tank Cooler
	1.25"	Yes
	Outlets	Notes
	TL/BR	Mopar "B" & "E" Late Model V8 & OEM L6
Part Number	Rows	Core Size
5-70044	2	18.00W x 21.88L x 2.68T
Combo Unit # CU-70044	Tube Size	In Tank Cooler
	1.25"	Yes
	Outlets	Notes
	TR/BR	Mopar "B" & "E" OEM L6
70-73 Satellite		See Drawings p.86-103
Part Number	Rows	Core Size
5-00001	2	17.38W x 25.50L x 2.68T
Combo Unit # CU-00001	Tube Size	In Tank Cooler
	1.25"	No
	Outlets	Notes
	TL/BR	Small Block "B" Body Mopar with AC
Part Number	Rows	Core Size
5-00005	2	17.38W x 25.50L x 2.68T
Combo Unit # CU-00005	Tube Size	In Tank Cooler
	1.25"	No
	Outlets	Notes
	TR/BL	Big Block "B" Body Mopar
Part Number	Rows	Core Size
5-00022	2	18.00W x 18.57L x 2.68T
Combo Unit # CU-00022	Tube Size	In Tank Cooler
	1.25"	No
	Outlets	Notes
	TL/BR	Mopar "B" & "E" Body Small Core Small Block
Part Number	Rows	Core Size
5-00045	2	17.38W x 25.50L x 2.68T
Combo Unit # CU-00045	Tube Size	In Tank Cooler
	1.25"	No
	Outlets	Notes
Continue to next page	TR/BR	Big Block "B" Body Mopar with AC

Part Number	Rows	Core Size
5-70001	2	17.38W x 25.50L x 2.68T
Combo Unit # CU-70001	Tube Size	In Tank Cooler
	1.25"	Yes
	Outlets	Notes
	TL/BR	Small Block "B" Body Mopar with AC
Part Number	Rows	Core Size
5-70005	2	17.38W x 25.50L x 2.68T
Combo Unit # CU-70005	Tube Size	In Tank Cooler
	1.25"	Yes
	Outlets	Notes
	TR/BL	Big Block "B" Body Mopar
Part Number	Rows	Core Size
5-70022	2	18.00W x 18.57L x 2.68T
Combo Unit # CU-70022	Tube Size	In Tank Cooler
	1.25"	Yes
	Outlets	Notes
	TL/BR	Mopar "B" & "E" Body Small Core Small Block
Part Number	Rows	Core Size
5-70045	2	17.38W x 25.50L x 2.68T
Combo Unit # CU-70045	Tube Size	In Tank Cooler
	1.25"	Yes
	Outlets	Notes
	TR/BR	Big Block "B" Body Mopar with AC
73-74 Satellite See Drawings p.86-103		
Part Number	Rows	Core Size
5-00069	2	18.75W x 28.25L x 2.68T
Combo Unit # CU-00069	Tube Size	In Tank Cooler
	1.25"	No
	Outlets	Notes
	TL/BR	Small Block Mopar "B" Body All
Part Number	Rows	Core Size
5-00070	2	18.75W x 28.25L x 2.68T
Combo Unit # CU-00070	Tube Size	In Tank Cooler
	1.25"	No
	Outlets	Notes
	TR/BR	Big Block Mopar "B" Body All
Part Number	Rows	Core Size
5-70069	2	18.75W x 28.25L x 2.68T
Combo Unit # CU-70069	Tube Size	In Tank Cooler
	1.25"	Yes
	Outlets	Notes
	TL/BR	Small Block Mopar "B" Body All

Part Number	Rows	Core Size
5-70070	2	18.75W x 28.25L x 2.68T
Combo Unit # CU-70070	Tube Size	In Tank Cooler
	1.25"	Yes
	Outlets	Notes
	TR/BR	Big Block Mopar "B" Body All
70-73 Scamp See Drawings p.86-103		
Part Number	Rows	Core Size
5-00023	2	17.00W x 18.57L x 2.68T
Combo Unit # CU-00023	Tube Size	In Tank Cooler
	1.25"	No
	Outlets	Notes
	TR/BR	Mopar "A" Body L6
Part Number	Rows	Core Size
5-70023	2	17.00W x 18.57L x 2.68T
Combo Unit # CU-70023	Tube Size	In Tank Cooler
	1.25"	Yes
	Outlets	Notes
	TR/BR	Mopar "A" Body L6
74-76 Scamp See Drawings p.86-103		
Part Number	Rows	Core Size
5-00020	2	18.00W x 22.00L x 2.68T
Combo Unit # CU-00020	Tube Size	In Tank Cooler
	1.25"	No
	Outlets	Notes
	TL/BR	Mopar "A" & "F" Body large 6 cylinder HD
Part Number	Rows	Core Size
5-70020	2	18.00W x 22.00L x 2.68T
Combo Unit # CU-70020	Tube Size	In Tank Cooler
	1.25"	Yes
	Outlets	Notes
	TL/BR	Mopar "A" & "F" Body large 6 cylinder HD
70 Superbird See Drawings p.86-103		
Part Number	Rows	Core Size
5-00028	2	18.00W x 21.88L x 2.68T
Combo Unit # CU-00028	Tube Size	In Tank Cooler
	1.25"	No
	Outlets	Notes
	TL/BL	Mopar "B" & "E" Body Big Block
Part Number	Rows	Core Size
5-00043	2	18.00W x 21.88L x 2.68T
Combo Unit # CU-00043	Tube Size	In Tank Cooler
	1.25"	No
	Outlets	Notes
	TL/BR	Mopar "B" & "E" Late Model V8 & OEM L6

Part Number	Rows	Core Size
5-00044	2	18.00W x 21.88L x 2.68T
Combo Unit # CU-00044	Tube Size	In Tank Cooler
	1.25"	No
	Outlets	Notes
	TR/BR	Mopar "B" & "E" OEM L6
Part Number	Rows	Core Size
5-70028	2	18.00W x 21.88L x 2.68T
Combo Unit # CU-70028	Tube Size	In Tank Cooler
	1.25"	Yes
	Outlets	Notes
	TL/BL	Mopar "B" & "E" Body Big Block
Part Number	Rows	Core Size
5-70043	2	18.00W x 21.88L x 2.68T
Combo Unit # CU-70043	Tube Size	In Tank Cooler
	1.25"	Yes
	Outlets	Notes
	TL/BR	Mopar "B" & "E" Late Model V8 & OEM L6
Part Number	Rows	Core Size
5-70044	2	18.00W x 21.88L x 2.68T
Combo Unit # CU-70044	Tube Size	In Tank Cooler
	1.25"	Yes
	Outlets	Notes
	TR/BR	Mopar "B" & "E" OEM L6
70-74 Superbird See Drawings p.86-103		
Part Number	Rows	Core Size
5-00028	2	18.00W x 21.88L x 2.68T
Combo Unit # CU-00028	Tube Size	In Tank Cooler
	1.25"	No
	Outlets	Notes
	TL/BL	Mopar "B" & "E" Body Big Block
Part Number	Rows	Core Size
5-70028	2	18.00W x 21.88L x 2.68T
Combo Unit # CU-70028	Tube Size	In Tank Cooler
	1.25"	Yes
	Outlets	Notes
	TL/BL	Mopar "B" & "E" Body Big Block
66-70 VIP See Drawings p.86-103		
Part Number	Rows	Core Size
5-00012	2	17.38W x 25.50L x 2.68T
Combo Unit # CU-00012	Tube Size	In Tank Cooler
	1.25"	No
	Outlets	Notes
	TR/BL	Big Block Mopar "C" Body All

Part Number	Rows	Core Size
5-00026	2	17.38W x 25.50L x 2.68T
Combo Unit # CU-00026	Tube Size	In Tank Cooler
	1.25"	No
	Outlets	Notes
	TR/BL	Small Block Mopar "C" Body All
Part Number	Rows	Core Size
5-70012	2	17.38W x 25.50L x 2.68T
Combo Unit # CU-70012	Tube Size	In Tank Cooler
	1.25"	Yes
	Outlets	Notes
	TR/BL	Big Block Mopar "C" Body All
Part Number	Rows	Core Size
5-70026	2	17.38W x 25.50L x 2.68T
Combo Unit # CU-70026	Tube Size	In Tank Cooler
	1.25"	Yes
	Outlets	Notes
	TR/BL	Small Block Mopar "C" Body All
76-77 Volare See Drawings p.86-103		
Part Number	Rows	Core Size
5-00020	2	18.00W x 22.00L x 2.68T
Combo Unit # CU-00020	Tube Size	In Tank Cooler
	1.25"	No
	Outlets	Notes
	TL/BR	Mopar "A" & "F" Body large 6 cylinder HD
Part Number	Rows	Core Size
5-70020	2	18.00W x 22.00L x 2.68T
Combo Unit # CU-00020	Tube Size	In Tank Cooler
	1.25"	Yes
	Outlets	Notes
	TL/BR	Mopar "A" & "F" Body large 6 cylinder HD
76-80 Volare See Drawings p.86-103		
Part Number	Rows	Core Size
5-00033	1	18.00W x 26.38L x 1.50T
Combo Unit # CU-00033	Tube Size	In Tank Cooler
	1.5"	No
	Outlets	Notes
	TL/BR	Small Block Mopar "F" Body All
Part Number	Rows	Core Size
5-70033	1	18.00W x 26.38L x 1.50T
Combo Unit # CU-00033	Tube Size	In Tank Cooler
	1.5"	Yes
	Outlets	Notes
	TL/BR	Small Block Mopar "F" Body All

PONTIAC**68-89 Bonneville / Catalina** See Drawings p.86-103

Part Number	Rows	Core Size
6-00006	2	28.38W x 18.53L x 2.68T
Combo Unit # CU-00006	Tube Size	In Tank Cooler
	1.25"	No
	Outlets	Notes
	TL/BR	GM "A" & "G" Body +
Part Number	Rows	Core Size
6-00007	2	26.38W x 18.53L x 2.68T
Combo Unit # CU-00007	Tube Size	In Tank Cooler
	1.25"	No
	Outlets	Notes
	TL/BR	GM "A" & "G" Body +
Part Number	Rows	Core Size
6-70006	2	28.38W x 18.53L x 2.68T
Combo Unit # CU-70006	Tube Size	In Tank Cooler
	1.25"	Yes
	Outlets	Notes
	TL/BR	GM "A" & "G" Body +
Part Number	Rows	Core Size
6-70007	2	26.38W x 18.53L x 2.68T
Combo Unit # CU-70007	Tube Size	In Tank Cooler
	1.25"	Yes
	Outlets	Notes
	TL/BR	GM "A" & "G" Body +
67-69 Firebird See Drawings p.86-103		
Part Number	Rows	Core Size
6-00048	2	23.00W x 18.47L x 2.68T
Combo Unit # CU-00048	Tube Size	In Tank Cooler
	1.25"	No
	Outlets	Notes
	TL/BR	First Gen F-Body
Part Number	Rows	Core Size
6-00049	2	20.75W x 18.47L x 2.68T
Combo Unit # CU-00049	Tube Size	In Tank Cooler
	1.25"	No
	Outlets	Notes
	TL/BR	First Gen F-Body
Part Number	Rows	Core Size
6-70048	2	23.00W x 18.47L x 2.68T
Combo Unit # CU-70048	Tube Size	In Tank Cooler
	1.25"	Yes
	Outlets	Notes
	TL/BR	First Gen F-Body

Part Number	Rows	Core Size
6-70049	2	20.75W x 18.47L x 2.68T
Combo Unit # CU-70049	Tube Size	In Tank Cooler
	1.25"	Yes
	Outlets	Notes
	TL/BR	First Gen F-Body
70-81 Firebird/TA See Drawings p.86-103		
Part Number	Rows	Core Size
6-00006	2	28.38W x 18.53L x 2.68T
Combo Unit # CU-00006	Tube Size	In Tank Cooler
	1.25"	No
	Outlets	Notes
	TL/BR	GM "A" & "G" Body +
Part Number	Rows	Core Size
6-00007	2	26.38W x 18.53L x 2.68T
Combo Unit # CU-00007	Tube Size	In Tank Cooler
	1.25"	No
	Outlets	Notes
	TL/BR	GM "A" & "G" Body +
Part Number	Rows	Core Size
6-70006	2	28.38W x 18.53L x 2.68T
Combo Unit # CU-70006	Tube Size	In Tank Cooler
	1.25"	Yes
	Outlets	Notes
	TL/BR	GM "A" & "G" Body +
Part Number	Rows	Core Size
6-70007	2	26.38W x 18.53L x 2.68T
Combo Unit # CU-70007	Tube Size	In Tank Cooler
	1.25"	Yes
	Outlets	Notes
	TL/BR	GM "A" & "G" Body +
Part Number	Rows	Core Size
6-70007	2	26.38W x 18.53L x 2.68T
Combo Unit # CU-70007	Tube Size	In Tank Cooler
	1.25"	Yes
	Outlets	Notes
	TL/BR	GM "A" & "G" Body +
73-81 Grand Am See Drawings p.86-103		
Part Number	Rows	Core Size
6-00006	2	28.38W x 18.53L x 2.68T
Combo Unit # CU-00006	Tube Size	In Tank Cooler
	1.25"	No
	Outlets	Notes
	TL/BR	GM "A" & "G" Body +
Part Number	Rows	Core Size
6-00007	2	26.38W x 18.53L x 2.68T
Combo Unit # CU-00007	Tube Size	In Tank Cooler
	1.25"	No
	Outlets	Notes
	TL/BR	GM "A" & "G" Body +
Part Number	Rows	Core Size
6-70006	2	28.38W x 18.53L x 2.68T
Combo Unit # CU-70006	Tube Size	In Tank Cooler
	1.25"	Yes
	Outlets	Notes
	TL/BR	GM "A" & "G" Body +

Part Number	Rows	Core Size
6-70007	2	26.38W x 18.53L x 2.68T
Combo Unit # CU-70007	Tube Size	In Tank Cooler
	1.25"	Yes
	Outlets	Notes
	TL/BR	GM "A" & "G" Body +
65-87 Grand Prix		See Drawings p.86-103
Part Number	Rows	Core Size
6-00006	2	28.38W x 18.53L x 2.68T
Combo Unit # CU-00006	Tube Size	In Tank Cooler
	1.25"	No
	Outlets	Notes
	TL/BR	GM "A" & "G" Body +
Part Number	Rows	Core Size
6-00007	2	26.38W x 18.53L x 2.68T
Combo Unit # CU-00007	Tube Size	In Tank Cooler
	1.25"	No
	Outlets	Notes
	TL/BR	GM "A" & "G" Body +
Part Number	Rows	Core Size
6-70006	2	28.38W x 18.53L x 2.68T
Combo Unit # CU-70006	Tube Size	In Tank Cooler
	1.25"	Yes
	Outlets	Notes
	TL/BR	GM "A" & "G" Body +
Part Number	Rows	Core Size
6-70007	2	26.38W x 18.53L x 2.68T
Combo Unit # CU-70007	Tube Size	In Tank Cooler
	1.25"	Yes
	Outlets	Notes
	TL/BR	GM "A" & "G" Body +
71-76 Grandville		See Drawings p.86-103
Part Number	Rows	Core Size
6-00006	2	28.38W x 18.53L x 2.68T
Combo Unit # CU-00006	Tube Size	In Tank Cooler
	1.25"	No
	Outlets	Notes
	TL/BR	GM "A" & "G" Body +
Part Number	Rows	Core Size
6-00007	2	26.38W x 18.53L x 2.68T
Combo Unit # CU-00007	Tube Size	In Tank Cooler
	1.25"	No
	Outlets	Notes
	TL/BR	GM "A" & "G" Body +
Part Number	Rows	Core Size
6-70006	2	28.38W x 18.53L x 2.68T
Combo Unit # CU-70006	Tube Size	In Tank Cooler
	1.25"	Yes
	Outlets	Notes
	TL/BR	GM "A" & "G" Body +

Part Number	Rows	Core Size
6-70007	2	26.38W x 18.53L x 2.68T
Combo Unit # CU-70007	Tube Size	In Tank Cooler
	1.25"	Yes
	Outlets	Notes
	TL/BR	GM "A" & "G" Body +
65-67 GTO		See Drawings p.86-103
Part Number	Rows	Core Size
6-00060	2	17.00W x 25.50L x 2.68T
Combo Unit # CU-00060	Tube Size	In Tank Cooler
	1.25"	No
	Outlets	Notes
	TL/BR	GM V8 (EXC. Latemodel LT & LS)
Part Number	Rows	Core Size
6-00062	2	15.50W x 25.50L x 2.68T x 1.25"
Combo Unit # CU-00062	Tube Size	In Tank Cooler
	1.25"	No
	Outlets	Notes
	TL/BR	GM V8 (EXC. Latemodel LT & LS)
Part Number	Rows	Core Size
6-70060	2	17.00W x 25.50L x 2.68T
Combo Unit # CU-70060	Tube Size	In Tank Cooler
	1.25"	Yes
	Outlets	Notes
	TL/BR	GM V8 (EXC. Latemodel LT & LS)
Part Number	Rows	Core Size
6-70062	2	15.50W x 25.50L x 2.68T x 1.25"
Combo Unit # CU-70062	Tube Size	In Tank Cooler
	1.25"	Yes
	Outlets	Notes
	TL/BR	GM V8 (EXC. Latemodel LT & LS)

How many fins per inch do you use?
It depends on the application. More fins per inch generally increases the heat rejection capability of the radiator, but also increases the pressure drop through the radiator. The radiator needs to be properly designed to meet your specific engine cooling requirements.

68-81 GTO See Drawings p.86-103		
Part Number	Rows	Core Size
6-00006	2	28.38W x 18.53L x 2.68T
Combo Unit # CU-00006	Tube Size	In Tank Cooler
	1.25"	No
	Outlets	Notes
	TL/BR	GM "A" & "G" Body +
Part Number	Rows	Core Size
6-00007	2	26.38W x 18.53L x 2.68T
Combo Unit # CU-00007	Tube Size	In Tank Cooler
	1.25"	No
	Outlets	Notes
	TL/BR	GM "A" & "G" Body +
Part Number	Rows	Core Size
6-70006	2	28.38W x 18.53L x 2.68T
Combo Unit # CU-70006	Tube Size	In Tank Cooler
	1.25"	Yes
	Outlets	Notes
	TL/BR	GM "A" & "G" Body +
Part Number	Rows	Core Size
6-70007	2	26.38W x 18.53L x 2.68T
Combo Unit # CU-70007	Tube Size	In Tank Cooler
	1.25"	Yes
	Outlets	Notes
	TL/BR	GM "A" & "G" Body +
65-67 Lemans See Drawings p.86-103		
Part Number	Rows	Core Size
6-00060	2	17.00W x 25.50L x 2.68T
Combo Unit # CU-00060	Tube Size	In Tank Cooler
	1.25"	No
	Outlets	Notes
	TL/BR	GM V8 (EXC. Latemodel LT & LS)
Part Number	Rows	Core Size
6-00062	2	15.50W x 25.50L x 2.68T
Combo Unit # CU-00062	Tube Size	In Tank Cooler
	1.25"	No
	Outlets	Notes
	TL/BR	GM V8 (EXC. Latemodel LT & LS)
Part Number	Rows	Core Size
6-70060	2	17.00W x 25.50L x 2.68T
Combo Unit # CU-70060	Tube Size	In Tank Cooler
	1.25"	Yes
	Outlets	Notes
	TL/BR	GM V8 (EXC. Latemodel LT & LS)

Part Number	Rows	Core Size
6-70062	2	15.50W x 25.50L x 2.68T
Combo Unit # CU-70062	Tube Size	In Tank Cooler
	1.25"	Yes
	Outlets	Notes
	TL/BR	GM V8 (EXC. Latemodel LT & LS)
68-81 Lemans See Drawings p.86-103		
Part Number	Rows	Core Size
6-00006	2	28.38W x 18.53L x 2.68T
Combo Unit # CU-00006	Tube Size	In Tank Cooler
	1.25"	No
	Outlets	Notes
	TL/BR	GM "A" & "G" Body +
Part Number	Rows	Core Size
6-00007	2	26.38W x 18.53L x 2.68T
Combo Unit # CU-00007	Tube Size	In Tank Cooler
	1.25"	No
	Outlets	Notes
	TL/BR	GM "A" & "G" Body +
Part Number	Rows	Core Size
6-70006	2	28.38W x 18.53L x 2.68T
Combo Unit # CU-70006	Tube Size	In Tank Cooler
	1.25"	Yes
	Outlets	Notes
	TL/BR	GM "A" & "G" Body +
Part Number	Rows	Core Size
6-70007	2	26.38W x 18.53L x 2.68T
Combo Unit # CU-70007	Tube Size	In Tank Cooler
	1.25"	Yes
	Outlets	Notes
	TL/BR	GM "A" & "G" Body +
84-86 Parisienne See Drawings p.86-103		
Part Number	Rows	Core Size
6-00006	2	28.38W x 18.53L x 2.68T
Combo Unit # CU-00006	Tube Size	In Tank Cooler
	1.25"	No
	Outlets	Notes
	TL/BR	GM "A" & "G" Body +
Part Number	Rows	Core Size
6-00007	2	26.38W x 18.53L x 2.68T
Combo Unit # CU-00007	Tube Size	In Tank Cooler
	1.25"	No
	Outlets	Notes
	TL/BR	GM "A" & "G" Body +

Part Number	Rows	Core Size
6-70006	2	28.38W x 18.53L x 2.68T
Combo Unit # CU-70006	Tube Size	In Tank Cooler
	1.25"	Yes
	Outlets	Notes
	TL/BR	GM "A" & "G" Body +
Part Number	Rows	Core Size
6-70007	2	26.38W x 18.53L x 2.68T
Combo Unit # CU-70007	Tube Size	In Tank Cooler
	1.25"	Yes
	Outlets	Notes
	TL/BR	GM "A" & "G" Body +
78-79 Phoenix		See Drawings p.86-103
Part Number	Rows	Core Size
6-00006	2	28.38W x 18.53L x 2.68T
Combo Unit # CU-00006	Tube Size	In Tank Cooler
	1.25"	No
	Outlets	Notes
	TL/BR	GM "A" & "G" Body +
Part Number	Rows	Core Size
6-00007	2	26.38W x 18.53L x 2.68T
Combo Unit # CU-00007	Tube Size	In Tank Cooler
	1.25"	No
	Outlets	Notes
	TL/BR	GM "A" & "G" Body +
Part Number	Rows	Core Size
6-70006	2	28.38W x 18.53L x 2.68T
Combo Unit # CU-70006	Tube Size	In Tank Cooler
	1.25"	Yes
	Outlets	Notes
	TL/BR	GM "A" & "G" Body +
Part Number	Rows	Core Size
6-70007	2	26.38W x 18.53L x 2.68T
Combo Unit # CU-70007	Tube Size	In Tank Cooler
	1.25"	Yes
	Outlets	Notes
	TL/BR	GM "A" & "G" Body +
71-77 Safari Wagon		See Drawings p.86-103
Part Number	Rows	Core Size
6-00006	2	28.38W x 18.53L x 2.68T
Combo Unit # CU-00006	Tube Size	In Tank Cooler
	1.25"	No
	Outlets	Notes
	TL/BR	GM "A" & "G" Body +
Part Number	Rows	Core Size
6-00007	2	26.38W x 18.53L x 2.68T
Combo Unit # CU-00007	Tube Size	In Tank Cooler
	1.25"	No
	Outlets	Notes
	TL/BR	GM "A" & "G" Body +

Part Number	Rows	Core Size
6-70006	2	28.38W x 18.53L x 2.68T
Combo Unit # CU-70006	Tube Size	In Tank Cooler
	1.25"	Yes
	Outlets	Notes
	TL/BR	GM "A" & "G" Body +
Part Number	Rows	Core Size
6-70007	2	26.38W x 18.53L x 2.68T
Combo Unit # CU-70007	Tube Size	In Tank Cooler
	1.25"	Yes
	Outlets	Notes
	TL/BR	GM "A" & "G" Body +
65-67 Tempest		See Drawings p.86-103
Part Number	Rows	Core Size
6-00060	2	17.00W x 25.50L x 2.68T
Combo Unit # CU-00060	Tube Size	In Tank Cooler
	1.25"	No
	Outlets	Notes
	TL/BR	GM V8 (EXC. Latemodel LT & LS)
Part Number	Rows	Core Size
6-00062	2	15.50W x 25.50L x 2.68T x 1.25"
Combo Unit # CU-00062	Tube Size	In Tank Cooler
	1.25"	No
	Outlets	Notes
	TL/BR	GM V8 (EXC. Latemodel LT & LS)
Part Number	Rows	Core Size
6-70060	2	17.00W x 25.50L x 2.68T
Combo Unit # CU-70060	Tube Size	In Tank Cooler
	1.25"	Yes
	Outlets	Notes
	TL/BR	GM V8 (EXC. Latemodel LT & LS)
Part Number	Rows	Core Size
6-70062	2	15.50W x 25.50L x 2.68T
Combo Unit # CU-70062	Tube Size	In Tank Cooler
	1.25"	Yes
	Outlets	Notes
	TL/BR	GM V8 (EXC. Latemodel LT & LS)

How tall is your filler neck?
Approximately 7/8" tall.

DODGE

70-78 B-Series See Drawings p.86-103

Part Number	Rows	Core Size
5-00028	2	18.00W x 21.88L x 2.68T
Combo Unit # CU-00028	Tube Size	In Tank Cooler
	1.25"	No
	Outlets	Notes
	TL/BL	Mopar "B" & "E" Body Big Block
Part Number	Rows	Core Size
5-00043	2	18.00W x 21.88L x 2.68T
Combo Unit # CU-00043	Tube Size	In Tank Cooler
	1.25"	No
	Outlets	Notes
	TL/BR	Mopar "B" & "E" Late Model V8 & OEM L6
Part Number	Rows	Core Size
5-00044	2	18.00W x 21.88L x 2.68T
Combo Unit # CU-00044	Tube Size	In Tank Cooler
	1.25"	No
	Outlets	Notes
	TR/BR	Mopar "B" & "E" OEM L6
Part Number	Rows	Core Size
5-00051	2	18.00W x 26.25L x 2.68T
Combo Unit # CU-00051	Tube Size	In Tank Cooler
	1.25"	No
	Outlets	Notes
	TL/BR	Late Model OEM Big Block Mopar Truck / Late Model V8 (EXC. LATE MODEL HEMI)
Part Number	Rows	Core Size
5-70028	2	18.00W x 21.88L x 2.68T
Combo Unit # CU-70028	Tube Size	In Tank Cooler
	1.25"	Yes
	Outlets	Notes
	TL/BL	Mopar "B" & "E" Body Big Block
Part Number	Rows	Core Size
5-70043	2	18.00W x 21.88L x 2.68T
Combo Unit # CU-70043	Tube Size	In Tank Cooler
	1.25"	Yes
	Outlets	Notes
	TL/BR	Mopar "B" & "E" Late Model V8 & OEM L6
Part Number	Rows	Core Size
5-70044	2	18.00W x 21.88L x 2.68T
Combo Unit # CU-70044	Tube Size	In Tank Cooler
	1.25"	Yes
	Outlets	Notes
	TR/BR	Mopar "B" & "E" OEM L6

Part Number	Rows	Core Size
5-70051	2	18.00W x 26.25L x 2.68T
Combo Unit # CU-70051	Tube Size	In Tank Cooler
	1.25"	Yes
	Outlets	Notes
	TL/BR	Late Model OEM Big Block Mopar Truck / Late Model V8 (EXC. LATE MODEL HEMI)
72-78 D/W Series See Drawings p.86-103		
Part Number	Rows	Core Size
5-00051	2	18.00W x 26.25L x 2.68T
Combo Unit # CU-00051	Tube Size	In Tank Cooler
	1.25"	No
	Outlets	Notes
	TL/BR	Late Model OEM Big Block Mopar Truck / Late Model V8 (EXC. LATE MODEL HEMI)
Part Number	Rows	Core Size
5-70051	2	18.00W x 26.25L x 2.68T
Combo Unit # CU-70051	Tube Size	In Tank Cooler
	1.25"	Yes
	Outlets	Notes
	TL/BR	Late Model OEM Big Block Mopar Truck / Late Model V8 (EXC. LATE MODEL HEMI)
79-89 D/W Series See Drawings p.86-103		
Part Number	Rows	Core Size
5-00071	2	18.00W x 18.75L x 2.68T
Combo Unit # CU-00071	Tube Size	In Tank Cooler
	1.25"	No
	Outlets	Notes
	TR/BR	Big Block Mopar
Part Number	Rows	Core Size
5-00072	2	18.00W x 26.00L x 2.68T
Combo Unit # CU-00072	Tube Size	In Tank Cooler
	1.25"	No
	Outlets	Notes
	TL/BR	Small Block Mopar
Part Number	Rows	Core Size
5-70071	2	18.00W x 18.75L x 2.68T
Combo Unit # CU-70071	Tube Size	In Tank Cooler
	1.25"	Yes
	Outlets	Notes
	TR/BR	Big Block Mopar
Part Number	Rows	Core Size
5-70072	2	18.00W x 26.00L x 2.68T
Combo Unit # CU-70072	Tube Size	In Tank Cooler
	1.25"	Yes
	Outlets	Notes
	TL/BR	Small Block Mopar

72-78 D/W Truck		See Drawings p.86-103
Part Number	Rows	Core Size
5-00028	2	18.00W x 21.88L x 2.68T
Combo Unit # CU-00028	Tube Size	In Tank Cooler
	1.25"	No
	Outlets	Notes
	TL/BL	Mopar "B" & "E" Body Big Block
Part Number	Rows	Core Size
5-00043	2	18.00W x 21.88L x 2.68T
Combo Unit # CU-00043	Tube Size	In Tank Cooler
	1.25"	No
	Outlets	Notes
	TL/BR	Mopar "B" & "E" Late Model V8 & OEM L6
Part Number	Rows	Core Size
5-00044	2	18.00W x 21.88L x 2.68T
Combo Unit # CU-00044	Tube Size	In Tank Cooler
	1.25"	No
	Outlets	Notes
	TR/BR	Mopar "B" & "E" OEM L6
Part Number	Rows	Core Size
5-70028	2	18.00W x 21.88L x 2.68T
Combo Unit # CU-70028	Tube Size	In Tank Cooler
	1.25"	Yes
	Outlets	Notes
	TL/BL	Mopar "B" & "E" Body Big Block
Part Number	Rows	Core Size
5-70043	2	18.00W x 21.88L x 2.68T
Combo Unit # CU-70043	Tube Size	In Tank Cooler
	1.25"	Yes
	Outlets	Notes
	TL/BR	Mopar "B" & "E" Late Model V8 & OEM L6
Part Number	Rows	Core Size
5-70044	2	18.00W x 21.88L x 2.68T
Combo Unit # CU-70044	Tube Size	In Tank Cooler
	1.25"	Yes
	Outlets	Notes
	TR/BR	Mopar "B" & "E" OEM L6
72-78 Ramcharger		See Drawings p.86-103
Part Number	Rows	Core Size
5-00028	2	18.00W x 21.88L x 2.68T
Combo Unit # CU-00028	Tube Size	In Tank Cooler
	1.25"	No
	Outlets	Notes
	TL/BL	Mopar "B" & "E" Body Big Block

Part Number	Rows	Core Size
5-00043	2	18.00W x 21.88L x 2.68T
Combo Unit # CU-00043	Tube Size	In Tank Cooler
	1.25"	No
	Outlets	Notes
	TL/BR	Mopar "B" & "E" Late Model V8 & OEM L6
Part Number	Rows	Core Size
5-00044	2	18.00W x 21.88L x 2.68T
Combo Unit # CU-00044	Tube Size	In Tank Cooler
	1.25"	No
	Outlets	Notes
	TR/BR	Mopar "B" & "E" OEM L6
Part Number	Rows	Core Size
5-70028	2	18.00W x 21.88L x 2.68T
Combo Unit # CU-70028	Tube Size	In Tank Cooler
	1.25"	Yes
	Outlets	Notes
	TL/BL	Mopar "B" & "E" Body Big Block
Part Number	Rows	Core Size
5-70043	2	18.00W x 21.88L x 2.68T
Combo Unit # CU-70043	Tube Size	In Tank Cooler
	1.25"	Yes
	Outlets	Notes
	TL/BR	Mopar "B" & "E" Late Model V8 & OEM L6
Part Number	Rows	Core Size
5-70044	2	18.00W x 21.88L x 2.68T
Combo Unit # CU-70044	Tube Size	In Tank Cooler
	1.25"	Yes
	Outlets	Notes
	TR/BR	Mopar "B" & "E" OEM L6
79-89 Ramcharger		See Drawings p.86-103
Part Number	Rows	Core Size
5-00071	2	18.00W x 26.00L x 2.68T
Combo Unit # CU-00071	Tube Size	In Tank Cooler
	1.25"	No
	Outlets	Notes
	TR/BR	Big Block Mopar
Part Number	Rows	Core Size
5-00072	2	18.00W x 26.00L x 2.68T
Combo Unit # CU-00072	Tube Size	In Tank Cooler
	1.25"	No
	Outlets	Notes
Continue to next page	TL/BR	Small Block Mopar

Part Number	Rows	Core Size
5-70071	2	18.00W x 26.00L x 2.68T
Combo Unit # CU-70071	Tube Size	In Tank Cooler
	1.25"	Yes
	Outlets	Notes
	TR/BR	Big Block Mopar
Part Number	Rows	Core Size
5-70072	2	18.00W x 26.00L x 2.68T
Combo Unit # CU-70072	Tube Size	In Tank Cooler
	1.25"	Yes
	Outlets	Notes
	TL/BR	Small Block Mopar
72-78 Trailblazer		See Drawings p.86-103
Part Number	Rows	Core Size
5-00028	2	18.00W x 21.88L x 2.68T
Combo Unit # CU-00028	Tube Size	In Tank Cooler
	1.25"	No
	Outlets	Notes
	TL/BL	Mopar "B" & "E" Body Big Block
Part Number	Rows	Core Size
5-00043	2	18.00W x 21.88L x 2.68T
Combo Unit # CU-00043	Tube Size	In Tank Cooler
	1.25"	No
	Outlets	Notes
	TL/BR	Mopar "B" & "E" Late Model V8 & OEM L6
Part Number	Rows	Core Size
5-00044	2	18.00W x 21.88L x 2.68T
Combo Unit # CU-00044	Tube Size	In Tank Cooler
	1.25"	No
	Outlets	Notes
	TR/BR	Mopar "B" & "E" OEM L6
Part Number	Rows	Core Size
5-70028	2	18.00W x 21.88L x 2.68T
Combo Unit # CU-70028	Tube Size	In Tank Cooler
	1.25"	Yes
	Outlets	Notes
	TL/BL	Mopar "B" & "E" Body Big Block
Part Number	Rows	Core Size
5-70043	2	18.00W x 21.88L x 2.68T
Combo Unit # CU-70043	Tube Size	In Tank Cooler
	1.25"	Yes
	Outlets	Notes
	TL/BR	Mopar "B" & "E" Late Model V8 & OEM L6

Part Number	Rows	Core Size
5-70044	2	18.00W x 21.88L x 2.68T
Combo Unit # CU-70044	Tube Size	In Tank Cooler
	1.25"	Yes
	Outlets	Notes
	TR/BR	Mopar "B" & "E" OEM L6
72-78 Trailduster		See Drawings p.86-103
Part Number	Rows	Core Size
5-00051	2	18.00W x 26.25L x 2.68T
Combo Unit # CU-00051	Tube Size	In Tank Cooler
	1.25"	No
	Outlets	Notes
	TL/BR	Late Model OEM Big Block Mopar Truck / Late Model V8 (EXC. LATE MODEL HEMI)
Part Number	Rows	Core Size
5-70051	2	18.00W x 26.25L x 2.68T
Combo Unit # CU-70051	Tube Size	In Tank Cooler
	1.25"	Yes
	Outlets	Notes
	TL/BR	Late Model OEM Big Block Mopar Truck / Late Model V8 (EXC. LATE MODEL HEMI)
79-89 Trailduster		See Drawings p.86-103
Part Number	Rows	Core Size
5-00071	2	18.00W x 26.00L x 2.68T
Combo Unit # CU-00071	Tube Size	In Tank Cooler
	1.25"	No
	Outlets	Notes
	TR/BR	Big Block Mopar
Part Number	Rows	Core Size
5-00072	2	18.00W x 26.00L x 2.68T
Combo Unit # CU-00072	Tube Size	In Tank Cooler
	1.25"	No
	Outlets	Notes
	TL/BR	Small Block Mopar
Part Number	Rows	Core Size
5-70071	2	18.00W x 26.00L x 2.68T
Combo Unit # CU-70071	Tube Size	In Tank Cooler
	1.25"	Yes
	Outlets	Notes
	TR/BR	Big Block Mopar
Part Number	Rows	Core Size
5-70072	2	18.00W x 26.00L x 2.68T
Combo Unit # CU-70072	Tube Size	In Tank Cooler
	1.25"	Yes
	Outlets	Notes
	TL/BR	Small Block Mopar

72-78 Truck (Dodge)			See Drawings p.86-103
Part Number	Rows	Core Size	
5-00028	2	18.00W x 21.88L x 2.68T	
Combo Unit # CU-00028	Tube Size	In Tank Cooler	
	1.25"	No	
	Outlets	Notes	
	TL/BL	Mopar "B" & "E" Body Big Block	
Part Number	Rows	Core Size	
5-00051	2	18.00W x 26.25L x 2.68T	
Combo Unit # CU-00051	Tube Size	In Tank Cooler	
	1.25"	No	
	Outlets	Notes	
	TL/BR	Late Model OEM Big Block Mopar Truck / Late Model V8 (EXC. LATE MODEL HEMI)	
Part Number	Rows	Core Size	
5-70028	2	18.00W x 21.88L x 2.68T	
Combo Unit # CU-70028	Tube Size	In Tank Cooler	
	1.25"	Yes	
	Outlets	Notes	
	TL/BL	Mopar "B" & "E" Body Big Block	
Part Number	Rows	Core Size	
5-70051	2	18.00W x 26.25L x 2.68T	
Combo Unit # CU-70051	Tube Size	In Tank Cooler	
	1.25"	Yes	
	Outlets	Notes	
	TL/BR	Late Model OEM Big Block Mopar Truck / Late Model V8 (EXC. LATE MODEL HEMI)	
79-89 Truck (Dodge)			See Drawings p.86-103
Part Number	Rows	Core Size	
5-00071	2	18.00W x 26.00L x 2.68T	
Combo Unit # CU-00071	Tube Size	In Tank Cooler	
	1.25"	No	
	Outlets	Notes	
	TR/BR	Big Block Mopar	
Part Number	Rows	Core Size	
5-00072	2	18.00W x 26.00L x 2.68T	
Combo Unit # CU-00072	Tube Size	In Tank Cooler	
	1.25"	No	
	Outlets	Notes	
	TL/BR	Small Block Mopar	
Part Number	Rows	Core Size	
5-70071	2	18.00W x 26.00L x 2.68T	
Combo Unit # CU-70071	Tube Size	In Tank Cooler	
	1.25"	Yes	
	Outlets	Notes	
	TR/BR	Big Block Mopar	

Part Number	Rows	Core Size	
5-70072	2	18.00W x 26.00L x 2.68T	
Combo Unit # CU-70072	Tube Size	In Tank Cooler	
	1.25"	Yes	
	Outlets	Notes	
	TL/BR	Small Block Mopar	
80-87 Truck (Dodge)			See Drawings p.86-103
Part Number	Rows	Core Size	
5-00069	2	18.75W x 28.25L x 2.68T	
Combo Unit # CU-00069	Tube Size	In Tank Cooler	
	1.25"	No	
	Outlets	Notes	
	TL/BR	Small Block Mopar "B" Body All	
Part Number	Rows	Core Size	
5-00070	2	18.75W x 28.25L x 2.68T	
Combo Unit # CU-00070	Tube Size	In Tank Cooler	
	1.25"	No	
	Outlets	Notes	
	TR/BR	Big Block Mopar "B" Body All	
Part Number	Rows	Core Size	
5-70069	2	18.75W x 28.25L x 2.68T	
Combo Unit # CU-70069	Tube Size	In Tank Cooler	
	1.25"	Yes	
	Outlets	Notes	
	TL/BR	Small Block Mopar "B" Body All	
Part Number	Rows	Core Size	
5-70070	2	18.75W x 28.25L x 2.68T	
Combo Unit # CU-70070	Tube Size	In Tank Cooler	
	1.25"	Yes	
	Outlets	Notes	
	TR/BR	Small Block Mopar "B" Body All	
94-02 Truck (Cummins)			See Drawings p.86-103
Part Number	Rows	Core Size	
5-00096	2	36.00W x 20.02L x 2.68T	
Combo Unit # CU-00096	Tube Size	In Tank Cooler	
	1.25"	No	
	Outlets	Notes	
	TL/BR	5.9 Liter Cummins	

70-78 Van (Ram)		See Drawings p.86-103
Part Number	Rows	Core Size
5-00028	2	18.00W x 21.88L x 2.68T
Combo Unit # CU-00028	Tube Size	In Tank Cooler
	1.25"	No
	Outlets	Notes
	TL/BL	Mopar "B" & "E" Body Big Block
Part Number	Rows	Core Size
5-00043	2	18.00W x 21.88L x 2.68T
Combo Unit # CU-00043	Tube Size	In Tank Cooler
	1.25"	No
	Outlets	Notes
	TL/BR	Mopar "B" & "E" Late Model V8 & OEM L6
Part Number	Rows	Core Size
5-00044	2	18.00W x 21.88L x 2.68T
Combo Unit # CU-00044	Tube Size	In Tank Cooler
	1.25"	No
	Outlets	Notes
	TR/BR	Mopar "B" & "E" OEM L6
Part Number	Rows	Core Size
5-00051	2	18.00W x 26.25L x 2.68T
Combo Unit # CU-70051	Tube Size	In Tank Cooler
	1.25"	No
	Outlets	Notes
	TL/BR	Late Model OEM Big Block Mopar Truck / Late Model V8 (EXC. LATE MODEL HEMI)
Part Number	Rows	Core Size
5-70028	2	18.00W x 21.88L x 2.68T
Combo Unit # CU-70028	Tube Size	In Tank Cooler
	1.25"	Yes
	Outlets	Notes
	TL/BL	Mopar "B" & "E" Body Big Block
Part Number	Rows	Core Size
5-70043	2	18.00W x 21.88L x 2.68T
Combo Unit # CU-70043	Tube Size	In Tank Cooler
	1.25"	Yes
	Outlets	Notes
	TL/BR	Mopar "B" & "E" Late Model V8 & OEM L6
Part Number	Rows	Core Size
5-70044	2	18.00W x 21.88L x 2.68T
Combo Unit # CU-70044	Tube Size	In Tank Cooler
	1.25"	Yes
	Outlets	Notes
	TR/BR	Mopar "B" & "E" OEM L6

Part Number	Rows	Core Size
5-70051	2	18.00W x 26.25L x 2.68T
Combo Unit # CU-70051	Tube Size	In Tank Cooler
	1.25"	Yes
	Outlets	Notes
	TL/BR	Late Model OEM Big Block Mopar Truck / Late Model V8 (EXC. LATE MODEL HEMI)
80-87 Van (Dodge)		See Drawings p.86-103
Part Number	Rows	Core Size
5-00069	2	18.75W x 28.25L x 2.68T
Combo Unit # CU-00069	Tube Size	In Tank Cooler
	1.25"	No
	Outlets	Notes
	TL/BR	Small Block Mopar "B" Body All
Part Number	Rows	Core Size
5-00070	2	18.75W x 28.25L x 2.68T
Combo Unit # CU-00070	Tube Size	In Tank Cooler
	1.25"	No
	Outlets	Notes
	TR/BR	Big Block Mopar "B" Body All
Part Number	Rows	Core Size
5-70069	2	18.75W x 28.25L x 2.68T
Combo Unit # CU-70069	Tube Size	In Tank Cooler
	1.25"	Yes
	Outlets	Notes
	TL/BR	Small Block Mopar "B" Body All
Part Number	Rows	Core Size
5-70070	2	18.75W x 28.25L x 2.68T
Combo Unit # CU-70070	Tube Size	In Tank Cooler
	1.25"	Yes
	Outlets	Notes
	TR/BR	Small Block Mopar "B" Body All

How long are your hose connections?
Hose connections are generally about 1.75". This can vary according to application.

FORD

66-67 Bronco See Drawings p.86-103		
Part Number	Rows	Core Size
7-00126	2	19.00W x 20.88L x 2.68T
Combo Unit # CU-00126	Tube Size	In Tank Cooler
	1.25"	No
	Outlets	Notes
	TL/BR	Bronco Early 302 Ford V8, May also be used in Chevy V8 Swap
Part Number	Rows	Core Size
7-70126	2	19.00W x 20.88L x 2.68T
Combo Unit # CU-70126	Tube Size	In Tank Cooler
	1.25"	Yes
	Outlets	Notes
	TL/BR	Bronco Early 302 Ford V8, May also be used in Chevy V8 Swap
78-79 Bronco See Drawings p.86-103		
Part Number	Rows	Core Size
7-00041	2	22.50W x 18.50L x 2.68T
Combo Unit # CU-00041	Tube Size	In Tank Cooler
	1.25"	No
	Outlets	Notes
	TR/BR	V8 Ford "All" (EXC. MODULAR), Grille Side Brackets
Part Number	Rows	Core Size
7-70041	2	22.50W x 18.50L x 2.68T
Combo Unit # CU-70041	Tube Size	In Tank Cooler
	1.25"	Yes
	Outlets	Notes
	TR/BR	V8 Ford "All" (EXC. MODULAR), Grille Side Brackets
85-96 Bronco See Drawings p.86-103		
Part Number	Rows	Core Size
7-00124	2	18.00W x 20.25L x 2.68T
Combo Unit # CU-00124	Tube Size	In Tank Cooler
	1.25"	No
	Outlets	Notes
	TR/BL	V8 Ford EFI Windsor, Early model EFI 302-460 Cl.
Part Number	Rows	Core Size
7-70124	2	18.00W x 20.25L x 2.68T
Combo Unit # CU-70124	Tube Size	In Tank Cooler
	1.25"	Yes
	Outlets	Notes
	TR/BL	V8 Ford EFI Windsor, Early model EFI 302-460 Cl.

66-76 F-100 & F-250 & F-350 See Drawings p.86-103		
Part Number	Rows	Core Size
7-00053	2	19.25W x 26.25L x 2.68T
Combo Unit # CU-00053	Tube Size	In Tank Cooler
	1.25"	No
	Outlets	Notes
	TR/BL	Late Model V8 Ford Outlets (EXC. MODULAR), Engine Side Brackets (4WD)
Part Number	Rows	Core Size
7-00139	2	19.25W x 26.25L x 2.68T
Combo Unit # CU-00139	Tube Size	In Tank Cooler
	1.25"	No
	Outlets	Notes
	TR/BL	Late Model V8 Ford Outlets (EXC. MODULAR), Grille Side Brackets (2WD)
Part Number	Rows	Core Size
7-70053	2	19.25W x 26.25L x 2.68T
Combo Unit # CU-70053	Tube Size	In Tank Cooler
	1.25"	Yes
	Outlets	Notes
	TR/BL	Late Model V8 Ford Outlets (EXC. MODULAR), Engine Side Brackets (4WD)
Part Number	Rows	Core Size
7-70139	2	19.25W x 26.25L x 2.68T
Combo Unit # CU-70139	Tube Size	In Tank Cooler
	1.25"	Yes
	Outlets	Notes
	TR/BL	Late Model V8 Ford Outlets (EXC. MODULAR), Grille Side Brackets (2WD)
66-77 F-100 & F-250 & F-350 See Drawings p.86-103		
Part Number	Rows	Core Size
7-00041	2	22.50W x 18.50L x 2.68T
Combo Unit # CU-00041	Tube Size	In Tank Cooler
	1.25"	No
	Outlets	Notes
	TR/BR	V8 Ford "All" (EXC. MODULAR), Grille Side Brackets
Part Number	Rows	Core Size
7-70041	2	22.50W x 18.50L x 2.68T
Combo Unit # CU-70041	Tube Size	In Tank Cooler
	1.25"	Yes
	Outlets	Notes
	TR/BR	V8 Ford "All" (EXC. MODULAR), Grille Side Brackets

70 TRUCKS

EXACT FIT

93-95 Lightning			See Drawings p.86-103
Part Number	Rows	Core Size	
7-00125	2	27.50W x 18.20L x 2.68T	
Combo Unit # CU-00125	Tube Size	In Tank Cooler	
	1.25"	No	
	Outlets	Notes	
	TR/BL	V8 Ford EFI Windsor, Early model EFI 302-460 Cl.	
Part Number	Rows	Core Size	
7-70125	2	27.50W x 18.20L x 2.68T	
Combo Unit # CU-70125	Tube Size	In Tank Cooler	
	1.25"	Yes	
	Outlets	Notes	
	TR/BL	V8 Ford EFI Windsor, Early model EFI 302-460 Cl.	
53-56 Truck (Ford)			See Drawings p.86-103
Part Number	Rows	Core Size	
7-00115	2	20.00W x 22.50L x 2.68T	
Combo Unit # CU-00115	Tube Size	In Tank Cooler	
	1.25"	No	
	Outlets	Notes	
	TR/BL	V8 Ford "LATE MODEL" & OEM Big Block (EXC. MODULAR)	
Part Number	Rows	Core Size	
7-70115	2	20.00W x 22.50L x 2.68T	
Combo Unit # CU-70115	Tube Size	In Tank Cooler	
	1.25"	Yes	
	Outlets	Notes	
	TR/BL	V8 Ford "LATE MODEL" & OEM Big Block (EXC. MODULAR)	
61-64 Truck (Ford)			See Drawings p.86-103
Part Number	Rows	Core Size	
7-00140	2	18.00W x 26.38L x 2.68T	
Combo Unit # CU-00140	Tube Size	In Tank Cooler	
	1.25"	No	
	Outlets	Notes	
	TR/BR	OEM L6 Ford & Early Model Small Block Ford, Engine Side Brackets	
Part Number	Rows	Core Size	
7-70140	2	18.00W x 26.38L x 2.68T	
Combo Unit # CU-70140	Tube Size	In Tank Cooler	
	1.25"	Yes	
	Outlets	Notes	
	TR/BR	OEM L6 Ford & Early Model Small Block Ford, Engine Side Brackets	

66-76 Truck (Ford)			See Drawings p.86-103
Part Number	Rows	Core Size	
7-00053	2	19.25W x 26.25L x 2.68T	
Combo Unit # CU-00053	Tube Size	In Tank Cooler	
	1.25"	No	
	Outlets	Notes	
	TR/BL	Late Model V8 Ford Outlets (EXC. MODULAR), Engine Side Brackets (4WD)	
Part Number	Rows	Core Size	
7-00139	2	19.25W x 26.25L x 2.68T	
Combo Unit # CU-00139	Tube Size	In Tank Cooler	
	1.25"	No	
	Outlets	Notes	
	TR/BL	Late Model V8 Ford Outlets (EXC. MODULAR), Grille Side Brackets (2WD)	
Part Number	Rows	Core Size	
7-70053	2	19.25W x 26.25L x 2.68T	
Combo Unit # CU-70053	Tube Size	In Tank Cooler	
	1.25"	Yes	
	Outlets	Notes	
	TR/BL	Late Model V8 Ford Outlets (EXC. MODULAR), Engine Side Brackets (4WD)	
Part Number	Rows	Core Size	
7-70139	2	19.25W x 26.25L x 2.68T	
Combo Unit # CU-70139	Tube Size	In Tank Cooler	
	1.25"	Yes	
	Outlets	Notes	
	TR/BL	Late Model V8 Ford Outlets (EXC. MODULAR), Grille Side Brackets (2WD)	
66-79 Truck (Ford)			See Drawings p.86-103
Part Number	Rows	Core Size	
7-00137	2	24.25W x 26.25L x 2.68T	
Combo Unit # CU-00137	Tube Size	In Tank Cooler	
	1.25"	No	
	Outlets	Notes	
	TR/BL	V8 Ford "LATE MODEL" & OEM Big Block (EXC. MODULAR), Large Truck Radiator (Super Cooling)	
Part Number	Rows	Core Size	
7-00138	2	24.25W x 26.25L x 2.68T	
Combo Unit # CU-00138	Tube Size	In Tank Cooler	
	1.25"	No	
	Outlets	Notes	
	TR/BL	V8 Ford "LATE MODEL" & OEM Big Block (EXC. MODULAR), Large Truck Radiator (Super Cooling)	

Part Number	Rows	Core Size
7-70137	2	24.25W x 26.25L x 2.68T
Combo Unit # CU-70137	Tube Size	In Tank Cooler
	1.25"	Yes
	Outlets	Notes
	TR/BL	V8 Ford "LATE MODEL" & OEM Big Block (EXC. MODULAR), Large Truck Radiator (Super Cooling)

85-97 Truck (Ford) See Drawings p.86-103

Part Number	Rows	Core Size
7-00124	2	18.00W x 20.25L x 2.68T
Combo Unit # CU-00124	Tube Size	In Tank Cooler
	1.25"	No
	Outlets	Notes
	TR/BL	V8 Ford Early model

Part Number	Rows	Core Size
7-70124	2	18.00W x 20.25L x 2.68T
Combo Unit # CU-70124	Tube Size	In Tank Cooler
	1.25"	Yes
	Outlets	Notes
	TR/BL	V8 Ford Early model

GENERAL MOTORS

67-87 Blazer c/k See Drawings p.86-103

Part Number	Rows	Core Size
6-00015	2	28.38W x 18.53L x 2.68T
Combo Unit # CU-00015	Tube Size	In Tank Cooler
	1.25"	No
	Outlets	Notes
	TL/BR	GM Truck Large Small Block radiator
Part Number	Rows	Core Size
6-00017	2	26.38W x 18.53L x 2.68T
Combo Unit # CU-00017	Tube Size	In Tank Cooler
	1.25"	No
	Outlets	Notes
	TL/BR	GM Truck Small V8/L6 radiator

Part Number	Rows	Core Size
6-70123	2	28.38W x 20.63L x 2.68T
Combo Unit # CU-70123	Tube Size	In Tank Cooler
	1.25"	Yes
	Outlets	Notes
	TL/BR	GM ALL (EXC. Late-model LT & LS) Large, Big Block
Part Number	Rows	Core Size
6-70015	2	28.38W x 18.53L x 2.68T
Combo Unit # CU-70015	Tube Size	In Tank Cooler
	1.25"	Yes
	Outlets	Notes
	TL/BR	GM Truck Large Small Block radiator

63-66 Carryall (GMC) See Drawings p.86-103

Part Number	Rows	Core Size
6-70017	2	26.38W x 18.53L x 2.68T
Combo Unit # CU-70017	Tube Size	In Tank Cooler
	1.25"	Yes
	Outlets	Notes
	TL/BR	GM Truck Small V8/L6 radiator

67-87 Cheyenne c/k See Drawings p.86-103

Part Number	Rows	Core Size
6-00123	2	28.38W x 20.63L x 2.68T
Combo Unit # CU-00123	Tube Size	In Tank Cooler
	1.25"	No
	Outlets	Notes
	TL/BR	GM ALL (EXC. Late-model LT & LS), Large, Big Block

63-66 Carryall (GMC) See Drawings p.86-103

Part Number	Rows	Core Size
6-00105	2	17.00W x 25.50L x 2.68T
Combo Unit # CU-00105	Tube Size	In Tank Cooler
	1.25"	No
	Outlets	Notes
	TL/BR	GM ALL (EXC. Latemodel LT & LS)

67-87 Cheyenne c/k See Drawings p.86-103

Part Number	Rows	Core Size
6-70105	2	17.00W x 25.50L x 2.68T
Combo Unit # CU-70105	Tube Size	In Tank Cooler
	1.25"	Yes
	Outlets	Notes
	TL/BR	GM ALL (EXC. Latemodel LT & LS)

67-87 Cheyenne c/k See Drawings p.86-103

Part Number	Rows	Core Size
See Silverado c/k		

What kind of water pump should I use with your radiator?

You can use any standard water pump with a Griffin radiator.

59 El Camino See Drawings p.86-103		
Part Number	Rows	Core Size
6-00111	2	15.50W x 25.50L x 2.68T
Combo Unit # CU-00111	Tube Size	In Tank Cooler
	1.25"	No
	Outlets	Notes
	TR/BR	GM Early Outlets
Part Number	Rows	Core Size
6-70111	2	15.50W x 25.50L x 2.68T
Combo Unit # CU-70111	Tube Size	In Tank Cooler
	1.25"	Yes
	Outlets	Notes
	TR/BR	GM Early Outlets
59-60 Kingsman See Drawings p.86-103		
Part Number	Rows	Core Size
6-00109	2	17.38W x 25.50L x 2.68T
Combo Unit # CU-00109	Tube Size	In Tank Cooler
	1.25"	No
	Outlets	Notes
	TR/BR	GM Early Outlets
Part Number	Rows	Core Size
6-00110	2	15.50W x 23.50L x 2.68T
Combo Unit # CU-00110	Tube Size	In Tank Cooler
	1.25"	No
	Outlets	Notes
	TR/BR	GM Early Outlets
Part Number	Rows	Core Size
6-00111	2	15.50W x 25.50L x 2.68T
Combo Unit # CU-00111	Tube Size	In Tank Cooler
	1.25"	No
	Outlets	Notes
	TR/BR	GM Early Outlets
Part Number	Rows	Core Size
6-70109	2	17.38W x 25.50L x 2.68T
Combo Unit # CU-70109	Tube Size	In Tank Cooler
	1.25"	Yes
	Outlets	Notes
	TR/BR	GM Early Outlets
Part Number	Rows	Core Size
6-70110	2	15.50W x 23.50L x 2.68T
Combo Unit # CU-70110	Tube Size	In Tank Cooler
	1.25"	Yes
	Outlets	Notes
	TR/BR	GM Early Outlets
Part Number	Rows	Core Size
6-70111	2	15.50W x 25.50L x 2.68T
Combo Unit # CU-70111	Tube Size	In Tank Cooler
	1.25"	Yes
	Outlets	Notes
	TR/BR	GM Early Outlets

67-87 Scottsdale c/k		
Part Number	Rows	Core Size
See Silverado c/k		
67-87 Sierra ck		
Part Number	Rows	Core Size
See Silverado c/k		
67-87 Silverado c/k See Drawings p.86-103		
Part Number	Rows	Core Size
6-00015	2	28.38W x 18.53L x 2.68T
Combo Unit # CU-00015	Tube Size	In Tank Cooler
	1.25"	No
	Outlets	Notes
	TL/BR	GM Truck Large Small Block radiator
Part Number	Rows	Core Size
6-00017	2	26.38W x 18.53L x 2.68T
Combo Unit # CU-00017	Tube Size	In Tank Cooler
	1.25"	No
	Outlets	Notes
	TL/BR	GM Truck Small V8/L6 radiator
Part Number	Rows	Core Size
6-00123	2	28.38W x 20.63L x 2.68T
Combo Unit # CU-00123	Tube Size	In Tank Cooler
	1.25"	No
	Outlets	Notes
	TL/BR	GM ALL (EXC. Late-model LT & LS), Large Big Block Radiator
Part Number	Rows	Core Size
6-70015	2	28.38W x 18.53L x 2.68T
Combo Unit # CU-70015	Tube Size	In Tank Cooler
	1.25"	Yes
	Outlets	Notes
	TL/BR	GM Truck Large Small Block radiator
Part Number	Rows	Core Size
6-70017	2	26.38W x 18.53L x 2.68T
Combo Unit # CU-70017	Tube Size	In Tank Cooler
	1.25"	Yes
	Outlets	Notes
	TL/BR	GM Truck Small V8/L6 radiator
Part Number	Rows	Core Size
6-70123	2	28.38W x 20.63L x 2.68T
Combo Unit # CU-70123	Tube Size	In Tank Cooler
	1.25"	Yes
	Outlets	Notes
	TL/BR	GM ALL (EXC. Late-model LT & LS), Large Big Block Radiator

63-66 Suburban c/k		See Drawings p.86-103
Part Number	Rows	Core Size
6-00105	2	17.00W x 25.50L x 2.68T
Combo Unit # CU-00105	Tube Size	In Tank Cooler
	1.25"	No
	Outlets	Notes
	TL/BR	GM ALL (EXC. Latemod-el LT & LS)
Part Number	Rows	Core Size
6-70105	2	17.00W x 25.50L x 2.68T
Combo Unit # CU-70105	Tube Size	In Tank Cooler
	1.25"	Yes
	Outlets	Notes
	TL/BR	GM ALL (EXC. Latemod-el LT & LS)
67-87 Suburban c/k		See Drawings p.86-103
Part Number	Rows	Core Size
See Silverado c/k		
55-59 Truck GM		See Drawings p.86-103
Part Number	Rows	Core Size
6-00075	2	20.00W x 22.00L x 2.68T
Combo Unit # CU-00075	Tube Size	In Tank Cooler
	1.25"	No
	Outlets	Notes
	TC/BR	GM ALL (EXC. Latemod-el LT & LS)
Part Number	Rows	Core Size
6-70075	2	20.00W x 22.00L x 2.68T
Combo Unit # CU-70075	Tube Size	In Tank Cooler
	1.25"	Yes
	Outlets	Notes
	TC/BR	GM ALL (EXC. Latemod-el LT & LS)
63-66 Truck c/k		See Drawings p.86-103
Part Number	Rows	Core Size
6-00105	2	17.00W x 25.50L x 2.68T
Combo Unit # CU-00105	Tube Size	In Tank Cooler
	1.25"	No
	Outlets	Notes
	TL/BR	GM ALL (EXC. Latemod-el LT & LS)
Part Number	Rows	Core Size
6-70105	2	17.00W x 25.50L x 2.68T
Combo Unit # CU-70105	Tube Size	In Tank Cooler
	1.25"	Yes
	Outlets	Notes
	TL/BR	GM ALL (EXC. Latemod-el LT & LS)

67-87 Truck c/k (GM)		See Drawings p.86-103
Part Number	Rows	Core Size
6-00015	2	28.38W x 18.53L x 2.68T
Combo Unit # CU-00015	Tube Size	In Tank Cooler
	1.25"	No
	Outlets	Notes
	TL/BR	GM Truck Large Small Block radiator
Part Number	Rows	Core Size
6-00017	2	26.38W x 18.53L x 2.68T
Combo Unit # CU-00017	Tube Size	In Tank Cooler
	1.25"	No
	Outlets	Notes
	TL/BR	GM Truck Small V8/L6 radiator
Part Number	Rows	Core Size
6-00123	2	28.38W x 20.63L x 2.68T
Combo Unit # CU-00123	Tube Size	In Tank Cooler
	1.25"	No
	Outlets	Notes
	TL/BR	GM ALL (EXC. Late-model LT & LS), Large Big Block Radiator
Part Number	Rows	Core Size
6-70015	2	28.38W x 18.53L x 2.68T
Combo Unit # CU-70015	Tube Size	In Tank Cooler
	1.25"	Yes
	Outlets	Notes
	TL/BR	GM Truck Large Small Block radiator
Part Number	Rows	Core Size
6-70017	2	26.38W x 18.53L x 2.68T
Combo Unit # CU-70017	Tube Size	In Tank Cooler
	1.25"	Yes
	Outlets	Notes
~~~	TL/BR	GM Truck Small V8/L6 radiator
Part Number	Rows	Core Size
6-70123	2	28.38W x 20.63L x 2.68T
Combo Unit # CU-70123	Tube Size	In Tank Cooler
	1.25"	Yes
	Outlets	Notes
	TL/BR	GM ALL (EXC. Late-model LT & LS), Large Big Block Radiator, Large Big Block Radiator

Should I slow down the water pump or speed it up for better cooling?  
 You can overdrive the water pump 20 – 30% for better cooling

## 67-87 Van g/p (GM)

Part Number	Rows	Core Size
6-00015	2	28.38W x 18.53L x 2.68T
Combo Unit # CU-00015	Tube Size	In Tank Cooler
	1.25"	No
	Outlets	Notes
	TL/BR	GM Truck Large Small Block radiator
Part Number	Rows	Core Size
6-00017	2	26.38W x 18.53L x 2.68T
Combo Unit # CU-00017	Tube Size	In Tank Cooler
	1.25"	No
	Outlets	Notes
	TL/BR	GM Truck Small V8/L6 radiator
Part Number	Rows	Core Size
6-00123	2	28.38W x 20.63L x 2.68T
Combo Unit # CU-00123	Tube Size	In Tank Cooler
	1.25"	No
	Outlets	Notes
	TL/BR	GM ALL (EXC. Late-model LT & LS), Large Big Block Radiator
Part Number	Rows	Core Size
6-70015	2	28.38W x 18.53L x 2.68T
Combo Unit # CU-70015	Tube Size	In Tank Cooler
	1.25"	Yes
	Outlets	Notes
	TL/BR	GM Truck Large Small Block radiator
Part Number	Rows	Core Size
6-70017	2	28.38W x 18.53L x 2.68T
Combo Unit # CU-70017	Tube Size	In Tank Cooler
	1.25"	Yes
	Outlets	Notes
	TL/BR	GM Truck Small V8/L6 radiator
Part Number	Rows	Core Size
6-70123	2	28.38W x 20.63L x 2.68T
Combo Unit # CU-70123	Tube Size	In Tank Cooler
	1.25"	Yes
	Outlets	Notes
	TL/BR	GM ALL (EXC. Late-model LT & LS), Large Big Block Radiator, Large Big Block Radiator

## JEEP

91-01 Cherokee		See Drawings p.86-103
Part Number	Rows	Core Size
5-70095	1	31.00W x 11.34L x 2.68T
Combo Unit # CU-70095	Tube Size	In Tank Cooler
	1.5"	Yes
	Outlets	Notes
	TR/BL	4.0 Liter Jeep
93-98 Grand Cherokee		See Drawings p.86-103
Part Number	Rows	Core Size
5-70080	1	22.25W x 20.00L x 1.50T
Combo Unit # CU-70080	Tube Size	In Tank Cooler
	1.5"	No
	Outlets	Notes
	TL/BR	V8 JEEP
Part Number	Rows	Core Size
5-70081	1	22.25W x 20.00L x 1.50T
Combo Unit # CU-70081	Tube Size	In Tank Cooler
	1.5"	Yes
	Outlets	Notes
	TR/BL	L6 JEEP
99-00 Grand Cherokee		See Drawings p.86-103
Part Number	Rows	Core Size
5-70079	1	23.50W x 22.62L x 1.50T
Combo Unit # CU-70079	Tube Size	In Tank Cooler
	1.5"	Yes
	Outlets	Notes
	TL/BR	V8 JEEP
93-98 Grand Wagoneer		See Drawings p.86-103
Part Number	Rows	Core Size
5-70080	1	22.25W x 20.00L x 1.50T
Combo Unit # CU-70080	Tube Size	In Tank Cooler
	1.5"	No
	Outlets	Notes
	TL/BR	V8 JEEP
Part Number	Rows	Core Size
5-70081	1	22.25W x 20.00L x 1.50T
Combo Unit # CU-70081	Tube Size	In Tank Cooler
	1.5"	Yes
	Outlets	Notes
	TR/BL	L6 JEEP

72-92 Wagoneer (SJ) See Drawings p.86-103

Part Number	Rows	Core Size
5-00014	2	16.00W x 26.75L x 2.68T
Combo Unit # CU-00014	Tube Size	In Tank Cooler
	1.25"	No
	Outlets	Notes
	TR/BL	Jeep Full Size (J) series

Part Number	Rows	Core Size
5-70014	2	16.00W x 26.75L x 2.68T
	Tube Size	In Tank Cooler
	1.25"	Yes
	Outlets	Notes
	TR/BL	Jeep Full Size (J) series

87-06 Wrangler See Drawings p.86-103

Part Number	Rows	Core Size
5-00032	1	18.13W x 20.00L x 1.50T
Combo Unit # CU-00032	Tube Size	In Tank Cooler
	1.5"	No
	Outlets	Notes
	TR/BL	Jeep Wrangler all "YJ" & "TJ"

Part Number	Rows	Core Size
5-70032	1	18.13W x 20.00L x 1.50T
Combo Unit # CU-70032	Tube Size	In Tank Cooler
	1.5"	Yes
	Outlets	Notes
	TR/BL	Jeep Wrangler all "YJ" & "TJ"

**NISSAN**

05-08 Frontier See Drawings p.86-103

Part Number	Rows	Core Size
NIS-70002	1	23.63W x 27.78L x 1.50T
Combo Unit # CU-70002	Tube Size	In Tank Cooler
	1.5"	Yes
	Outlets	Notes
	TR/BL	NISSAN 4.0L V6

05-08 Pathfinder See Drawings p.86-103

Part Number	Rows	Core Size
NIS-00002	1	23.63W x 27.78L x 1.50T
Combo Unit # CU-00002	Tube Size	In Tank Cooler
	1.5"	No
	Outlets	Notes
	TR/BL	NISSAN 4.0L V6

05-08 Xterra See Drawings p.86-103

Part Number	Rows	Core Size
NIS-70002	1	23.63W x 27.78L x 1.50T
Combo Unit # CU-70002	Tube Size	In Tank Cooler
	1.5"	Yes
	Outlets	Notes
	TR/BL	NISSAN 4.0L V6

**TOYOTA**

89-95 4-Runner See Drawings p.86-103

Part Number	Rows	Core Size
TOY-00052	1	17.75W x 20.75L x 1.50T
Combo Unit # CU-00052	Tube Size	In Tank Cooler
	1.5"	No
	Outlets	Notes
	TR/BL	2.4 L4 2 or 4WD

Part Number	Rows	Core Size
TOY-70052	1	17.75W x 20.75L x 1.50T
Combo Unit # CU-70052	Tube Size	In Tank Cooler
	1.5"	Yes
	Outlets	Notes
	TR/BL	2.4 L4 2 or 4WD

70-80 Landcruiser See Drawings p.86-103

Part Number	Rows	Core Size
TOY-00091	2	17.00W x 19.38L x 2.68T
Combo Unit # CU-00091	Tube Size	In Tank Cooler
	1.25"	No
	Outlets	Notes
	TL/BR	Toyota 4.2 L-6

81-89 Landcruiser See Drawings p.86-103

Part Number	Rows	Core Size
TOY-70011	2	16.00W x 24.00L x 2.68T
Combo Unit # CU-70011	Tube Size	In Tank Cooler
	1.25"	Yes
	Outlets	Notes
	TL/BR	Toyota 4.2 L-6

# GENERAL MOTORS

GM "A" and "G" Body (Manual) See Drawings p.86-103			GM "A" and "G" Body (Auto) See Drawings p.86-103		
Part Number	Rows	Overall Size	Part Number	Rows	Overall Size
8-00008	2	33.25W x 18.62L x 3.00T	8-70008	2	33.25W x 18.62L x 3.00T
Also available in LS config.	Tube Size	In Tank Cooler	Also available in LS config.	Tube Size	In Tank Cooler
	1.25"	No		1.25"	Yes
	Outlets	Notes		Outlets	Notes
	TL/BR	See application below		TL/BR	See application below

Year	Model	Year	Model	Year	Model
1973-1975	Apollo	1965-1974	Eldorado	1965-1985	Ninety Eight
1971-1974	Belair	1963-1985	Electra	1968-1979	Nova
1971-1972	Biscayne	1970-1990	Estate Wagon	1973-1979	Omega
1968-1989	Bonneville	1970-1981	Firebird/TA	1984-1986	Parisienne
1965	Calais	1965-1974	Fleetwood	1978-1979	Phoenix
1970-1981	Camaro	1973-1981	GrandAm	1973-1987	Regal
1977	Can Am	1965-1987	Grandprix	1984-1985	Regency 98
1971-1990	Caprice	1971-1976	Grandville	1967-1985	Rivera
1968-1989	Catalina	1968-1974	GTO	1971-1977	Safari Wagon
1973-1989	Century	1971-1990	Impala	1976-1985	Seville
1968-1977	Chevelle	1965-1969	Jetstar 88	1964-1979	Skylark
1971-1990	Custom Cruiser	1971-1972	Kingswood	1971-1977	Sprint
1966-1981	Cutlass	1975	Laguna	1968-1981	Tempest
1965-1969	Delmont 88	1976	Laguna	1966-1985	Tornado
1965-1985	Delta 88	1968-1981	Lemans	1972-1973	Ventura
1965-1974	Deville	1965-1985	LeSabre	1965-1970	Wildcat
1965-1969	Dynamic 88	1968-1983	Malibu		
1968-1977	Elcamino	1970-1988	Monte Carlo		

GM "A" and "F" Body (Manual) See Drawings p.86-103			GM "A" and "F" Body (Auto) See Drawings p.86-103		
Part Number	Rows	Overall Size	Part Number	Rows	Overall Size
8-00009	2	26.24W x 18.63L x 3.00T	8-70009	2	26.24W x 18.63L x 3.00T
Also available in LS config.	Tube Size	In Tank Cooler	Also available in LS config.	Tube Size	In Tank Cooler
	1.25"	No		1.25"	Yes
	Outlets	Notes		Outlets	Notes
	TL/BR	See application below		TL/BR	See application below

Year	Model	Year	Model	Year	Model
1967-1969	Camaro	1964-1967	Elcamino	1967-1969	Firebird-T/A
1964-1967	Chevelle				

**My car runs hot on the highway and boils over in traffic? Is this a radiator problem?**  
 A hot running car needs to be properly diagnosed. It may be caused by a defective or undersized radiator; however, there may be many other causes such as a defective thermostat, water pump, low coolant, wrong pulley ratios, etc.

GM "A" and "G" Body (Manual)		See Drawings p.86-103
Part Number	Rows	Overall Size
8-00010	2	31.25W x 18.62L x 3.00T
Also available in LS config.	Tube Size	In Tank Cooler
	1.25"	No
	Outlets	Notes
	TL/BR	See application below

GM "A" and "G" Body (Auto)		See Drawings p.86-103
Part Number	Rows	Overall Size
8-70010	2	31.25W x 18.62L x 3.00T
Also available in LS config.	Tube Size	In Tank Cooler
	1.25"	Yes
	Outlets	Notes
	TL/BR	See application below

Year	Model	Year	Model	Year	Model
1973-1975	Apollo	1965-1974	Eldorado	1965-1985	Ninety Eight
1971-1974	Belair	1963-1985	Electra	1968-1979	Nova
1971-1972	Biscayne	1970-1990	Estate Wagon	1973-1979	Omega
1968-1989	Bonneville	1970-1981	Firebird/TA	1984-1986	Parisienne
1965	Calais	1965-1974	Fleetwood	1978-1979	Phoenix
1970-1981	Camaro	1973-1981	GrandAm	1973-1987	Regal
1977	Can Am	1965-1987	Grandprix	1984-1985	Regency 98
1971-1990	Caprice	1971-1976	Grandville	1967-1985	Rivera
1968-1989	Catalina	1968-1974	GTO	1971-1977	Safari Wagon
1973-1989	Century	1971-1990	Impala	1976-1985	Seville
1968-1977	Chevelle	1965-1969	Jetstar 88	1964-1979	Skylark
1971-1990	Custom Cruiser	1971-1972	Kingswood	1971-1977	Sprint
1966-1981	Cutlass	1975	Laguna	1968-1981	Tempest
1965-1969	Delmont 88	1976	Laguna	1966-1985	Tornado
1965-1985	Delta 88	1968-1981	Lemans	1972-1973	Ventura
1965-1974	Deville	1965-1985	LeSabre	1965-1970	Wildcat
1965-1969	Dynamic 88	1968-1983	Malibu		
1968-1977	Elcamino	1970-1988	Monte Carlo		

GM "C" and "K" Series Trucks (Manual)		See Drawings p.86-103
Part Number	Rows	Overall Size
8-00013	2	33.25W x 18.62L x 3.00T
Also available in LS config.	Tube Size	In Tank Cooler
	1.25"	No
	Outlets	Notes
	TL/BR	See application below

GM "C" and "K" Series Trucks (Auto)		See Drawings p.86-103
Part Number	Rows	Overall Size
8-70013	2	33.25W x 18.62L x 3.00T
Also available in LS config.	Tube Size	In Tank Cooler
	1.25"	Yes
	Outlets	Notes
	TL/BR	See application below

Year	Model	Year	Model	Year	Model
1967-1991	Blazer c/k	1967-1987	Sierra	1967-1991	Suburban
1967-1987	Cheyenne	1967-1987	Silverado	1967-1991	Van
1967-1987	Scottsdale				

GM "B" Body		See Drawings p.86-103
Part Number	Rows	Overall Size
8-00016	2	26.24W x 18.63L x 3.00T
Also available in LS config.	Tube Size	In Tank Cooler
	1.25"	No
	Outlets	Notes
	TL/BR	See application below

GM "B" Body		See Drawings p.86-103
Part Number	Rows	Overall Size
8-70016	2	26.24W x 18.63L x 3.00T
Also available in LS config.	Tube Size	In Tank Cooler
	1.25"	Yes
	Outlets	Notes
	TL/BR	See application below

Year	Model	Year	Model	Year	Model
1959-1970	Belair	1959-1970	Brookwood	1959-1970	Impala
1959-1970	Biscayne	1959-1970	Caprice		

GM "X" Body (Manual)		See Drawings p.86-103
Part Number	Rows	Overall Size
8-00019	2	26.50W x 18.50L x 3.00T
Also available in LS config.	Tube Size	In Tank Cooler
	1.25"	No
	Outlets	Notes
	TL/BR	See application below

GM "X" Body (Auto)		See Drawings p.86-103
Part Number	Rows	Overall Size
8-70019	2	26.50W x 18.50L x 3.00T
Also available in LS config.	Tube Size	In Tank Cooler
	1.25"	Yes
	Outlets	Notes
	TL/BR	See application below

Year	Model	Year	Model	Year	Model
1970-1971	Camaro	1968-1971	El Camiro	1969-1971	Nova
1968-1971	Chevelle	1970-1971	LeMans	1965-1969	Skylark
1968	Chevy II	1965	LeSabre	1968-1969	Tempest
1966-1967	Cutlass	1970	Monte Carlo		

## MOPAR

Mopar 60-88 "A" "B" & "E" Body (Manual)		See Drawings p.86-103
Part Number	Rows	Overall Size
8-00038	2	26.50W x 18.63L x 3.00T
Also available in LS config.	Tube Size	In Tank Cooler
	1.25"	No
	Outlets	Notes
	TR/BL	See application below

Mopar 60-88 "A" "B" & "E" Body (Auto)		See Drawings p.86-103
Part Number	Rows	Overall Size
8-70038	2	26.50W x 18.63L x 3.00T
Also available in LS config.	Tube Size	In Tank Cooler
	1.25"	Yes
	Outlets	Notes
	TR/BL	See application below

Year	Model	Year	Model	Year	Model
1966-1977	300	1973-1976	Duster	1966-1972	Polara
1965-1974	Barracuda	1983-1989	Fifth Ave.	1968-1980	Road Runner
1966-1974	Belvedere	1967-1978	Fury	1966-1974	Satellite
1970-1974	Challenger	1966-1975	Imperial	1973-1976	Scamp
1966-1977	Charger	1974-1981	LeBaron	1968-1971	Super Bee
1975-1983	Cordoba	1966-1978	Monaco	1966-1977	Town & Country Wagon
1966-1977	Coronet	1965-1982	New Yorker	1973-1976	Valiant
1973-1976	Dart	1966-1981	Newport		

## FORD

Ford 69-73 "Midsize" Body (Manual)		See Drawings p.86-103
Part Number	Rows	Overall Size
8-00087	2	31.00W x 18.63L x 3.00T
Also available in LS config.	Tube Size	In Tank Cooler
	1.25"	No
	Outlets	Notes
	TR/BL	See application below

Ford 69-73 "Midsize" Body (Auto)		See Drawings p.86-103
Part Number	Rows	Overall Size
8-70087	2	31.00W x 18.63L x 3.00T
Also available in LS config.	Tube Size	In Tank Cooler
	1.25"	Yes
	Outlets	Notes
	TR/BL	See application below

Year	Model	Year	Model	Year	Model
1970-1972	Continental	1969-1971	Galaxie 500	1969-1972	Monterey
1971-1973	Cougar	1969-1971	LTD	1971-1973	Mustang
1969	Country Squire	1972	Mark 1V	1969-1971	Ranch Wagon
1969-1971	Custom 500	1969-1972	Marquis	1969-1970	Torino
1969-1970	Fairlane	1969	Montclair	1970-1971	Torino
1969-1971	Galaxie	1970-1971	Montego		

Ford "Fox" Body (Manual)		See Drawings p.86-103
Part Number	Rows	Overall Size
8-00165	2	29.50W x 18.63L x 3.00T
Also available in LS config.	Tube Size	In Tank Cooler
	1.25"	No
	Outlets	Notes
	TR/BL	See application below

Ford "Fox" Body (Auto)		See Drawings p.86-103
Part Number	Rows	Overall Size
8-70165	2	29.50W x 18.63L x 3.00T
Also available in LS config.	Tube Size	In Tank Cooler
	1.25"	Yes
	Outlets	Notes
	TR/BL	See application below

Year	Model	Year	Model	Year	Model
1979-1986	Capri	1981-1982	Granada	1979-1993	Mustang
1982-1987	Continental	1983-1986	LTD	1980-1988	Thunderbird
1980-1988	Cougar	1984-1992	Mark V11	1978-1983	Zephyr
1978-1983	Fairmont	1983-1986	Marquis		

## ON ROAD COMBO UNIT

Griffin On Road ComboUnits feature slim line fans to accommodate more makes and models.  
Overall thickness is: 6.44"

## GENERAL MOTORS

GM "A" and "G" Body (Manual)		See Drawings p.86-103
Part Number	Rows	Overall Size
CU-00008	2	33.25W x 18.62L x 6.44T
Also available in LS config.	Tube Size	In Tank Cooler
	1.25"	No
	Outlets	Notes
	TL/BR	See application below
	Fan(s)	Fan Size
	Dual	16 Inch Diameter

GM "A" and "G" Body (Auto)		See Drawings p.86-103
Part Number	Rows	Overall Size
CU-70008	2	33.25W x 18.62L x 6.44T
Also available in LS config.	Tube Size	In Tank Cooler
	1.25"	Yes
	Outlets	Notes
	TL/BR	See application below
	Fan(s)	Fan Size
	Dual	16 Inch Diameter

Year	Model	Year	Model	Year	Model
1973-1975	Apollo	1965-1974	Eldorado	1965-1985	Ninety Eight
1971-1974	Belair	1963-1985	Electra	1968-1979	Nova
1971-1972	Biscayne	1970-1990	Estate Wagon	1973-1979	Omega
1968-1989	Bonneville	1970-1981	Firebird/TA	1984-1986	Parisienne
1965	Calais	1965-1974	Fleetwood	1978-1979	Phoenix
1970-1981	Camaro	1973-1981	GrandAm	1973-1987	Regal
1977	Can Am	1965-1987	Grandprix	1984-1985	Regency 98
1971-1990	Caprice	1971-1976	Grandville	1967-1985	Rivera
1968-1989	Catalina	1968-1974	GTO	1971-1977	Safari Wagon
1973-1989	Century	1971-1990	Impala	1976-1985	Seville
1968-1977	Chevelle	1965-1969	Jetstar 88	1964-1979	Skylark
1971-1990	Custom Cruiser	1971-1972	Kingswood	1971-1977	Sprint
1966-1981	Cutlass	1975	Laguna	1968-1981	Tempest
1965-1969	Delmont 88	1976	Laguna	1966-1985	Tornado
1965-1985	Delta 88	1968-1981	Lemans	1972-1973	Ventura
1965-1974	Deville	1965-1985	LeSabre	1965-1970	Wildcat
1965-1969	Dynamic 88	1968-1983	Malibu		
1968-1977	Elcamino	1970-1988	Monte Carlo		

# 80 ON ROAD COMBO UNIT

GM "A" and "F" Body (Manual) See Drawings p.86-103			GM "A" and "F" Body (Auto) See Drawings p.86-103		
Part Number	Rows	Overall Size	Part Number	Rows	Overall Size
CU-00009	2	26.24W x 18.63L x 6.44T	CU-70009	2	26.24W x 18.63L x 6.44T
Also available in LS config.	Tube Size	In Tank Cooler	Also available in LS config.	Tube Size	In Tank Cooler
	1.25"	No		1.25"	Yes
	Outlets	Notes		Outlets	Notes
	TL/BR	See application below		TL/BR	See application below
	Fan(s)	Fan Size		Fan(s)	Fan Size
	Dual	12 Inch Diameter		Dual	12 Inch Diameter
Year	Model	Year	Model	Year	Model
1967-1969	Camaro	1964-1967	Elcamino	1967-1969	Firebird-T/A
1964-1967	Chevelle				

GM "A" and "G" Body (Manual) See Drawings p.86-103			GM "A" and "G" Body (Auto) See Drawings p.86-103		
Part Number	Rows	Overall Size	Part Number	Rows	Overall Size
CU-00010	2	31.25W x 18.62L x 6.44T	CU-70010	2	31.25W x 18.62L x 6.44T
Also available in LS config.	Tube Size	In Tank Cooler	Also available in LS config.	Tube Size	In Tank Cooler
	1.25"	No		1.25"	Yes
	Outlets	Notes		Outlets	Notes
	TL/BR	See application below		TL/BR	See application below
	Fan(s)	Fan Size		Fan(s)	Fan Size
	Dual	14 Inch Diameter		Dual	14 Inch Diameter
Year	Model	Year	Model	Year	Model
1973-1975	Apollo	1965-1974	Eldorado	1965-1985	Ninety Eight
1971-1974	Belair	1963-1985	Electra	1968-1979	Nova
1971-1972	Biscayne	1970-1990	Estate Wagon	1973-1979	Omega
1968-1989	Bonneville	1970-1981	Firebird/TA	1984-1986	Parisienne
1965	Calais	1965-1974	Fleetwood	1978-1979	Phoenix
1970-1981	Camaro	1973-1981	GrandAm	1973-1987	Regal
1977	Can Am	1965-1987	Grandprix	1984-1985	Regency 98
1971-1990	Caprice	1971-1976	Grandville	1967-1985	Rivera
1968-1989	Catalina	1968-1974	GTO	1971-1977	Safari Wagon
1973-1989	Century	1971-1990	Impala	1976-1985	Seville
1968-1977	Chevelle	1965-1969	Jetstar 88	1964-1979	Skylark
1971-1990	Custom Cruiser	1971-1972	Kingswood	1971-1977	Sprint
1966-1981	Cutlass	1975	Laguna	1968-1981	Tempest
1965-1969	Delmont 88	1976	Laguna	1966-1985	Tornado
1965-1985	Delta 88	1968-1981	Lemans	1972-1973	Ventura
1965-1974	Deville	1965-1985	LeSabre	1965-1970	Wildcat
1965-1969	Dynamic 88	1968-1983	Malibu		
1968-1977	Elcamino	1970-1988	Monte Carlo		

### Rule of thumb.

Only choose a mechanical fan over an electric fan if it's your farm tractor. An electric fan is preferred because when you need a fan the most (at idle or cruising speeds) an electric fan is delivering maximum air independent of engine RPM's. Fans that move 2000-2300 CFM's are worth the investment. Preference should be given to a "pull" vs. a "push" fan. Mounted on the engine side of the radiator, a pull fan does not interfere with air flow at highway speeds. All shrouded fans should be on the engine side of the radiator.



GM "C" and "K" Series Trucks (Manual)			See Drawings p.86-103		
Part Number	Rows	Overall Size			
CU-00013	2	33.25W x 18.62L x 6.44T			
Also available in LS config.	Tube Size	In Tank Cooler			
	1.25"	No			
	Outlets	Notes			
	TL/BR	See application below			
	Fan(s)	Fan Size			
	Dual	16 Inch Diameter			
Year	Model	Year	Model	Year	Model
1967-1991	Blazer c/k	1967-1987	Sierra	1967-1991	Suburban
1967-1987	Cheyenne	1967-1987	Silverado	1967-1991	Van
1967-1987	Scottsdale				

GM "C" and "K" Series Trucks (Auto)			See Drawings p.86-103		
Part Number	Rows	Overall Size			
CU-70013	2	33.25W x 18.62L x 6.44T			
Also available in LS config.	Tube Size	In Tank Cooler			
	1.25"	Yes			
	Outlets	Notes			
	TL/BR	See application below			
	Fan(s)	Fan Size			
	Dual	16 Inch Diameter			
Year	Model	Year	Model	Year	Model
1967-1991	Blazer c/k	1967-1987	Sierra	1967-1991	Suburban
1967-1987	Cheyenne	1967-1987	Silverado	1967-1991	Van
1967-1987	Scottsdale				

GM "B" Body (Manual)			See Drawings p.86-103		
Part Number	Rows	Overall Size			
CU-00016	2	26.24W x 18.63L x 6.44T			
Also available in LS config.	Tube Size	In Tank Cooler			
	1.25"	No			
	Outlets	Notes			
	TL/BR	See application below			
	Fan(s)	Fan Size			
	Dual	12 Inch Diameter			
Year	Model	Year	Model	Year	Model
1959-1970	Belair	1959-1970	Brookwood	1959-1970	Impala
1959-1970	Biscayne	1959-1970	Caprice		

GM "B" Body (Auto)			See Drawings p.86-103		
Part Number	Rows	Overall Size			
CU-70016	2	26.24W x 18.63L x 6.44T			
Also available in LS config.	Tube Size	In Tank Cooler			
	1.25"	Yes			
	Outlets	Notes			
	TL/BR	See application below			
	Fan(s)	Fan Size			
	Dual	12 Inch Diameter			
Year	Model	Year	Model	Year	Model
1959-1970	Belair	1959-1970	Brookwood	1959-1970	Impala
1959-1970	Biscayne	1959-1970	Caprice		

GM "X" Body (Manual)			See Drawings p.86-103		
Part Number	Rows	Overall Size			
CU-00019	2	26.50W x 18.50L x 6.44T			
Also available in LS config.	Tube Size	In Tank Cooler			
	1.25"	No			
	Outlets	Notes			
	TL/BR	See application below			
	Fan(s)	Fan Size			
	Dual	12 Inch Diameter			
Year	Model	Year	Model	Year	Model
1973-1975	Apollo	1968-1977	Elcamino	1970-1988	Monte Carlo
1971-1974	Belair	1963-1985	Electra	1965-1985	Ninety Eight
1971-1972	Biscayne	1970-1981	Firebird/TA	1968-1979	Nova
1968-1987	Bonneville	1973-1981	GrandAm	1973-1979	Omega
1970-1981	Camaro	1965-1987	Grandprix	1984-1986	Parisienne
1971-1990	Caprice	1968-1974	GTO	1964-1979	Skylark
1968-1981	Catalina	1971-1990	Impala	1971-1977	Sprint
1973-1981	Century	1975-1976	Laguna	1968-1981	Tempest
1968-1977	Chevelle	1968-1981	Lemans	1972-1974	Ventura
1966-1987	Cutlass	1965-1985	LeSabre		
1965-1985	Delta 1988	1968-1983	Malibu		

GM "X" Body (Auto)			See Drawings p.86-103		
Part Number	Rows	Overall Size			
CU-70019	2	26.50W x 18.50L x 6.44T			
Also available in LS config.	Tube Size	In Tank Cooler			
	1.25"	Yes			
	Outlets	Notes			
	TL/BR	See application below			
	Fan(s)	Fan Size			
	Dual	12 Inch Diameter			
Year	Model	Year	Model	Year	Model
1973-1975	Apollo	1968-1977	Elcamino	1970-1988	Monte Carlo
1971-1974	Belair	1963-1985	Electra	1965-1985	Ninety Eight
1971-1972	Biscayne	1970-1981	Firebird/TA	1968-1979	Nova
1968-1987	Bonneville	1973-1981	GrandAm	1973-1979	Omega
1970-1981	Camaro	1965-1987	Grandprix	1984-1986	Parisienne
1971-1990	Caprice	1968-1974	GTO	1964-1979	Skylark
1968-1981	Catalina	1971-1990	Impala	1971-1977	Sprint
1973-1981	Century	1975-1976	Laguna	1968-1981	Tempest
1968-1977	Chevelle	1968-1981	Lemans	1972-1974	Ventura
1966-1987	Cutlass	1965-1985	LeSabre		
1965-1985	Delta 1988	1968-1983	Malibu		

## FORD

Ford 69-73 "Midsize" Body (Manual) See Drawings p.86-103			Ford 69-73 "Midsize" Body (Auto) See Drawings p.86-103		
Part Number	Rows	Overall Size	Part Number	Rows	Overall Size
CU-00087	2	31.00W x 18.63L x 6.44T	CU-70087	2	31.00W x 18.63L x 6.44T
Also available in LS config.	Tube Size	In Tank Cooler	Also available in LS config.	Tube Size	In Tank Cooler
	1.25"	No		1.25"	Yes
	Outlets	Notes		Outlets	Notes
	TR/BL	See application below		TR/BL	See application below
	Fan(s)	Fan Size		Fan(s)	Fan Size
	Dual	12 Inch Diameter		Dual	12 Inch Diameter

Year	Model	Year	Model	Year	Model
1970-1972	Continental	1969-1971	Galaxie 500	1969-1972	Monterey
1971-1973	Cougar	1969-1971	LTD	1971-1973	Mustang
1969	Country Squire	1972	Mark 1V	1969-1971	Ranch Wagon
1969-1971	Custom 500	1969-1972	Marquis	1969-1970	Torino
1969-1970	Fairlane	1969	Montclair	1970-1971	Torino
1969-1971	Galaxie	1970-1971	Montego		

Ford "Fox" Body (Manual) See Drawings p.86-103			Ford "Fox" Body (Auto) See Drawings p.86-103		
Part Number	Rows	Overall Size	Part Number	Rows	Overall Size
CU-00165	2	29.50W x 18.63L x 6.44T	CU-70165	2	29.50W x 18.63L x 6.44T
Also available in LS config.	Tube Size	In Tank Cooler	Also available in LS config.	Tube Size	In Tank Cooler
	1.25"	No		1.25"	Yes
	Outlets	Notes		Outlets	Notes
	TR/BL	See application below		TR/BL	See application below
	Fan(s)	Fan Size		Fan(s)	Fan Size
	Dual	12 Inch Diameter		Dual	12 Inch Diameter

Year	Model	Year	Model	Year	Model
1979-1986	Capri	1981-1982	Granada	1979-1993	Mustang
1982-1987	Continental	1983-1986	LTD	1980-1988	Thunderbird
1980-1988	Cougar	1984-1992	Mark V11	1978-1983	Zephyr
1978-1983	Fairmont	1983-1986	Marquis		

### First things first.

When planning your performance vehicle, remember that you're building it to drive, not to sit and steam. Plan adequate space for the cooling system including the radiator, fan, shroud, over flow tank and mounting brackets. Talk with a cooling specialist to help you size the system for your vehicle, engine and driving habits. Consider the investment compared to the total cost of the car.

# MOPAR

Mopar 60-88 "A" "B" & "E" Body (Manual)		See Drawings p.86-103
Part Number	Rows	Overall Size
CU-00038	2	26.50W x 18.63L x 6.44T
Also available in LS config.	Tube Size	In Tank Cooler
	1.25"	No
	Outlets	Notes
	TR/BL	See application below
	Fan(s)	Fan Size
	Dual	12 Inch Diameter

Mopar 60-88 "A" "B" & "E" Body (Auto)		See Drawings p.86-103
Part Number	Rows	Overall Size
CU-70038	2	26.50W x 18.63L x 6.44T
Also available in LS config.	Tube Size	In Tank Cooler
	1.25"	Yes
	Outlets	Notes
	TR/BL	See application below
	Fan(s)	Fan Size
	Dual	12 Inch Diameter

Year	Model	Year	Model	Year	Model
1966-1977	300	1973-1976	Duster	1966-1972	Polara
1965-1974	Barracuda	1983-1989	Fifth Ave.	1968-1980	Road Runner
1966-1974	Belvedere	1967-1978	Fury	1966-1974	Satellite
1970-1974	Challenger	1966-1975	Imperial	1973-1976	Scamp
1966-1977	Charger	1974-1981	LeBaron	1968-1971	Super Bee
1975-1983	Cordoba	1966-1978	Monaco	1966-1977	Town & Country Wagon
1966-1977	Coronet	1965-1982	New Yorker	1973-1976	Valiant
1973-1976	Dart	1966-1981	Newport		

# OFF ROAD COMBO UNIT

Griffin Off Road ComboUnits feature thicker heavy duty paddle fans.  
Overall thickness is: 7.88"

GM 33.25" X 18.62" (Manual)		See Drawings p.86-103
Part Number	Rows	Overall Size
OR-00008	2	33.25W x 18.62L x 7.88T
Also available in LS config.	Tube Size	In Tank Cooler
	1.25"	No
	Outlets	Notes
	TL/BR	
	Fan(s)	Fan Size
	Dual	16 Inch Diameter

GM 33.25" X 18.62" (Auto)		See Drawings p.86-103
Part Number	Rows	Overall Size
OR-70008	2	33.25W x 18.62L x 7.88T
Also available in LS config.	Tube Size	In Tank Cooler
	1.25"	Yes
	Outlets	Notes
	TL/BR	
	Fan(s)	Fan Size
	Dual	16 Inch Diameter

GM 26.24" X 18.63" (Manual)		See Drawings p.86-103
Part Number	Rows	Overall Size
OR-00009	2	26.24W x 18.63L x 7.88T
Also available in LS config.	Tube Size	In Tank Cooler
	1.25"	No
	Outlets	Notes
	TL/BR	
	Fan(s)	Fan Size
	Dual	12 Inch Diameter

GM 26.24" X 18.63" (Auto)		See Drawings p.86-103
Part Number	Rows	Overall Size
OR-70009	2	26.24W x 18.63L x 7.88T
Also available in LS config.	Tube Size	In Tank Cooler
	1.25"	Yes
	Outlets	Notes
	TL/BR	
	Fan(s)	Fan Size
	Dual	12 Inch Diameter

# 84 OFF ROAD COMBO UNIT

GM 31.25" X 18.62" (Manual)		See Drawings p.86-103
Part Number	Rows	Overall Size
OR-00010	2	31.25W x 18.62L x 7.88T
Also available in LS config.	Tube Size	In Tank Cooler
	1.25"	No
	Outlets	Notes
	TL/BR	
	Fan(s)	Fan Size
	Dual	14 Inch Diameter

GM 31.25" X 18.62" (Auto)		See Drawings p.86-103
Part Number	Rows	Overall Size
OR-70010	2	31.25W x 18.62L x 7.88T
Also available in LS config.	Tube Size	In Tank Cooler
	1.25"	Yes
	Outlets	Notes
	TL/BR	
	Fan(s)	Fan Size
	Dual	14 Inch Diameter

GM 33.25" X 18.62" (Manual)		See Drawings p.86-103
Part Number	Rows	Overall Size
OR-00013	2	33.25W x 18.62L x 7.88T
Also available in LS config.	Tube Size	In Tank Cooler
	1.25"	No
	Outlets	Notes
	TL/BR	
	Fan(s)	Fan Size
	Dual	16 Inch Diameter

GM 33.25" X 18.62" (Auto)		See Drawings p.86-103
Part Number	Rows	Overall Size
OR-70013	2	33.25W x 18.62L x 7.88T
Also available in LS config.	Tube Size	In Tank Cooler
	1.25"	Yes
	Outlets	Notes
	TL/BR	
	Fan(s)	Fan Size
	Dual	16 Inch Diameter

GM 26.24" X 18.63" (Manual)		See Drawings p.86-103
Part Number	Rows	Overall Size
OR-00016	2	26.24W x 18.63L x 7.88T
Also available in LS config.	Tube Size	In Tank Cooler
	1.25"	No
	Outlets	Notes
	TL/BR	
	Fan(s)	Fan Size
	Dual	12 Inch Diameter

GM 26.24" X 18.63" (Auto)		See Drawings p.86-103
Part Number	Rows	Overall Size
OR-70016	2	26.24W x 18.63L x 7.88T
Also available in LS config.	Tube Size	In Tank Cooler
	1.25"	Yes
	Outlets	Notes
	TL/BR	
	Fan(s)	Fan Size
	Dual	12 Inch Diameter

GM 26.50" X 18.50" (Manual)		See Drawings p.86-103
Part Number	Rows	Overall Size
OR-00019	2	26.50W x 18.50L x 7.88T
Also available in LS config.	Tube Size	In Tank Cooler
	1.25"	No
	Outlets	Notes
	TL/BR	
	Fan(s)	Fan Size
	Dual	12 Inch Diameter

GM 26.50" X 18.50" (Auto)		See Drawings p.86-103
Part Number	Rows	Overall Size
OR-70019	2	26.50W x 18.50L x 7.88T
Also available in LS config.	Tube Size	In Tank Cooler
	1.25"	Yes
	Outlets	Notes
	TL/BR	
	Fan(s)	Fan Size
	Dual	12 Inch Diameter

Mopar 26.50" X 18.63" (Manual)		See Drawings p.86-103
Part Number	Rows	Overall Size
OR-00038	2	26.50W x 18.63L x 7.88T
Also available in LS config.	Tube Size	In Tank Cooler
	1.25"	No
	Outlets	Notes
	TR/BL	
	Fan(s)	Fan Size
	Dual	12 Inch Diameter

Mopar 26.50" X 18.63 (Auto)		See Drawings p.86-103
Part Number	Rows	Overall Size
OR-70038	2	26.50W x 18.63L x 7.88T
Also available in LS config.	Tube Size	In Tank Cooler
	1.25"	Yes
	Outlets	Notes
	TR/BL	
	Fan(s)	Fan Size
	Dual	12 Inch Diameter

Ford 31.00" X 18.63" (Manual)		See Drawings p.86-103
Part Number	Rows	Overall Size
OR-00087	2	31.00W x 18.63L x 7.88T
Also available in LS config.	Tube Size	In Tank Cooler
	1.25"	No
	Outlets	Notes
	TR/BL	
	Fan(s)	Fan Size
	Dual	12 Inch Diameter

Ford 31.00" X 18.63 (Auto)		See Drawings p.86-103
Part Number	Rows	Overall Size
OR-70087	2	31.00W x 18.63L x 7.88T
Also available in LS config.	Tube Size	In Tank Cooler
	1.25"	Yes
	Outlets	Notes
	TR/BL	
	Fan(s)	Fan Size
	Dual	12 Inch Diameter

Ford 29.50" X 18.63" (Manual)		See Drawings p.86-103
Part Number	Rows	Overall Size
OR-00165	2	29.50W x 18.63L x 7.88T
Also available in LS config.	Tube Size	In Tank Cooler
	1.25"	No
	Outlets	Notes
	TR/BL	
	Fan(s)	Fan Size
	Dual	12 Inch Diameter

Ford 29.50" X 18.63" (Auto)		See Drawings p.86-103
Part Number	Rows	Overall Size
OR-70165	2	29.50W x 18.63L x 7.88T
Also available in LS config.	Tube Size	In Tank Cooler
	1.25"	Yes
	Outlets	Notes
	TR/BL	
	Fan(s)	Fan Size
	Dual	12 Inch Diameter

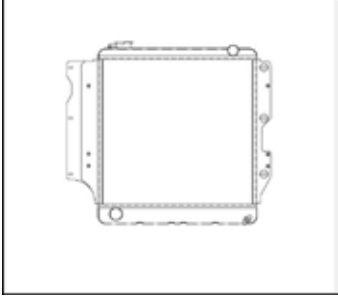
For information about the following product lines, please contact your local Griffin distributor or a Griffin Thermal Products representative.

Dominator Series	Universal Combos	Off Road Series
Sport Compact	Intercoolers	Race Radiators
Sprint Car Radiators	Circle Track Radiators	Drag Race Radiators
Industrial (Land & Air)	Heavy Duty	Accessories

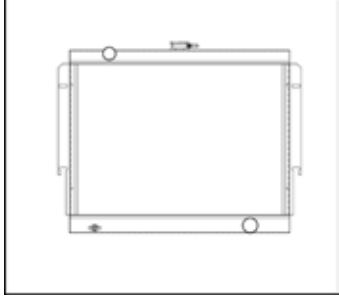
**[www.griffinrad.com](http://www.griffinrad.com)**



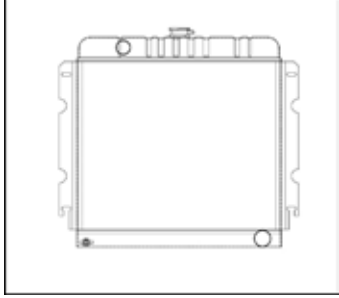
5-00032



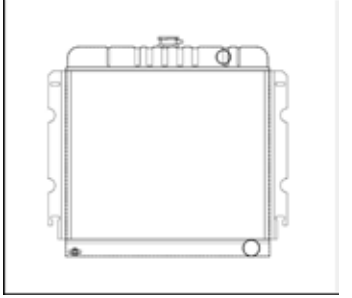
5-00033



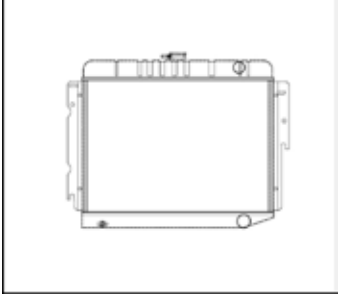
5-00043



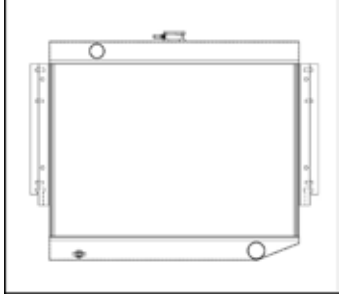
5-00044



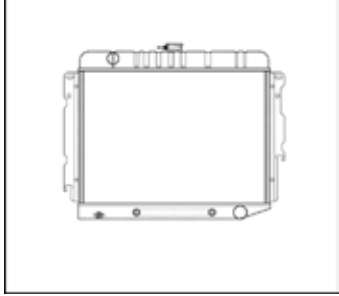
5-00045



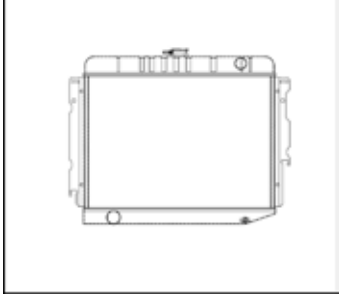
5-00051



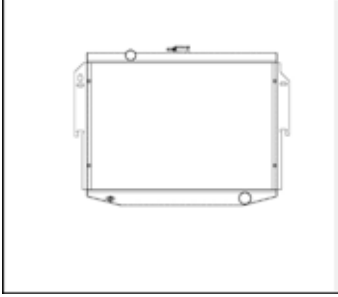
5-00057



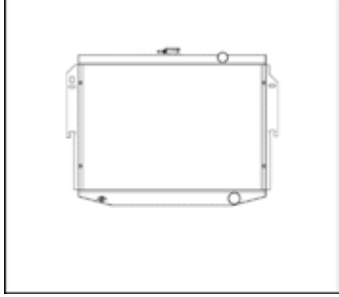
5-00058



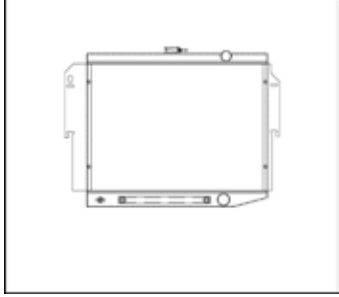
5-00069



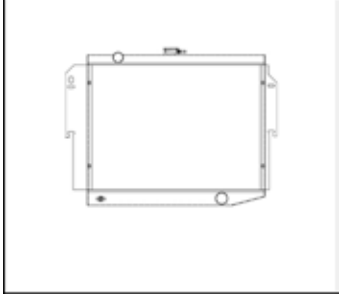
5-00070



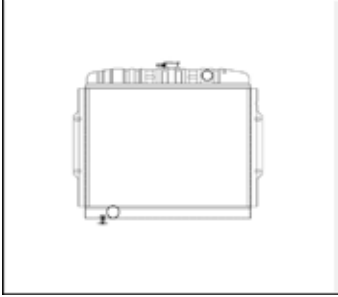
5-00071



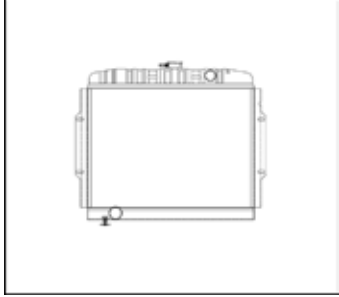
5-00072



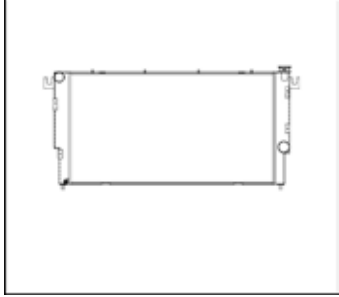
5-00073



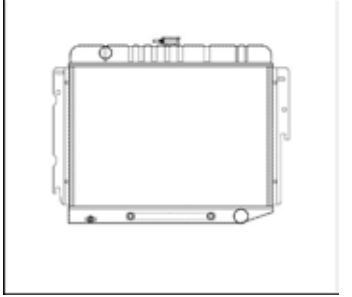
5-00074



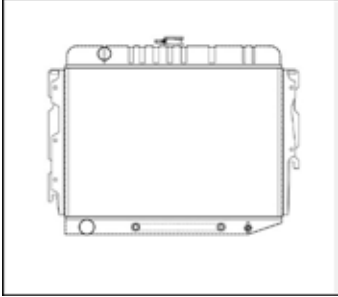
5-00096



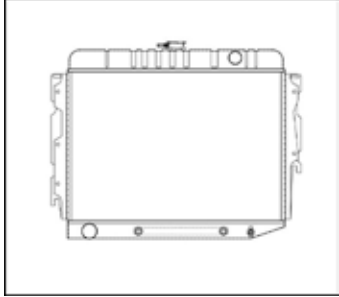
5-70001



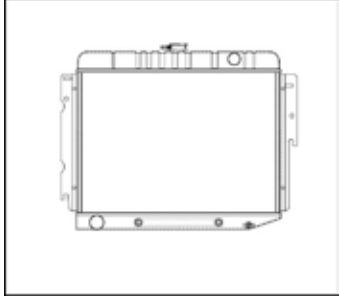
5-70003



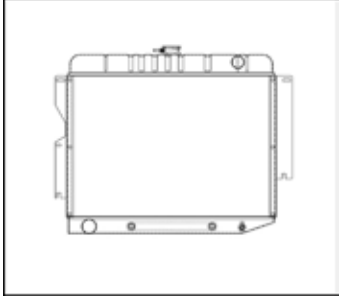
5-70004



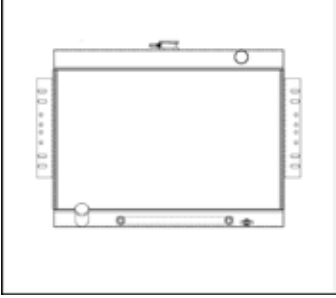
5-70005



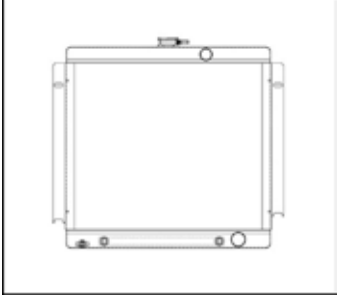
5-70012



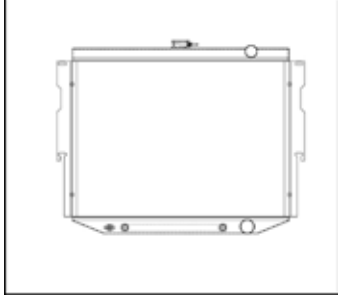
5-70014



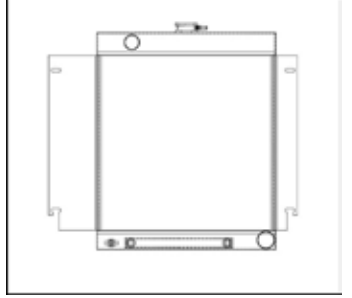
5-70020



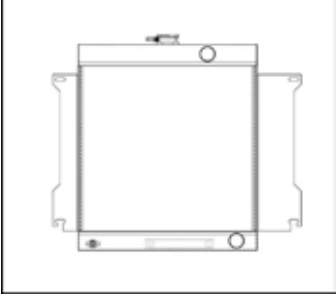
5-70021



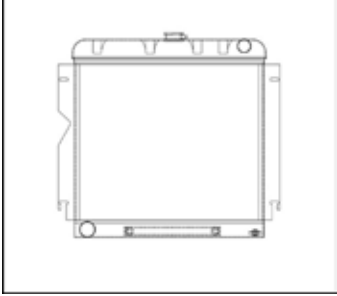
5-70022



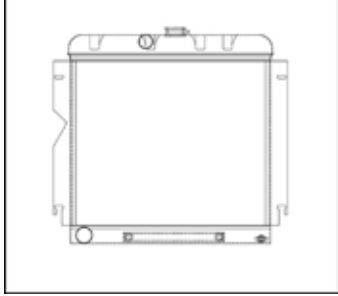
5-70023



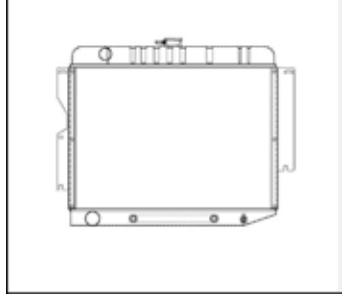
5-70024



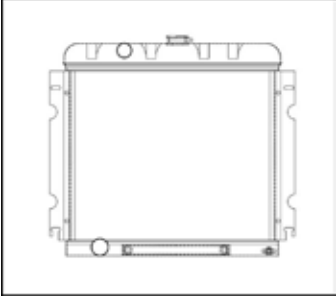
5-70025



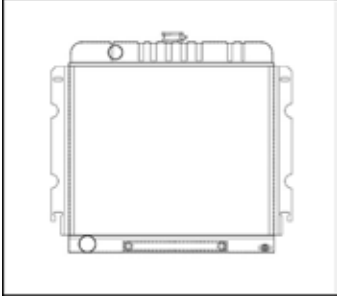
5-70026



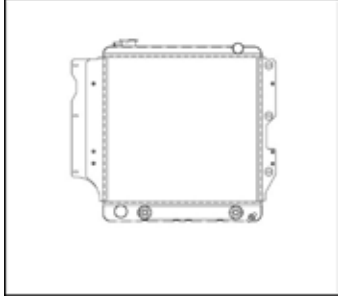
5-70027



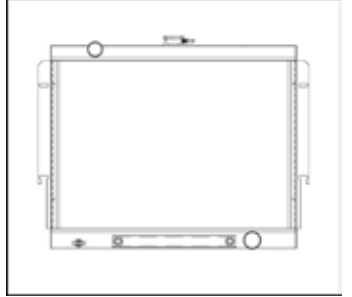
5-70028



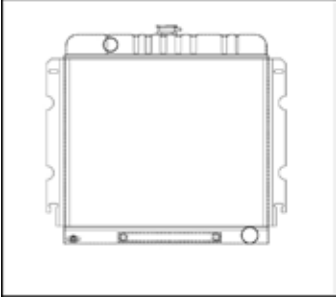
5-70032



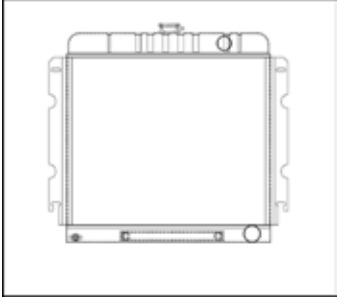
5-70033



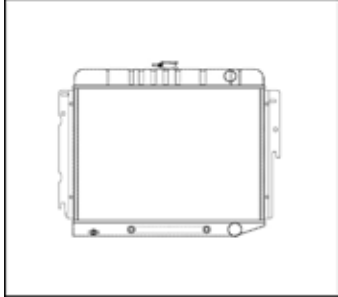
5-70043



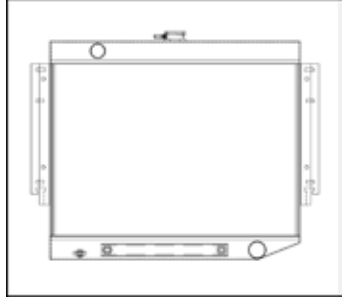
5-70044



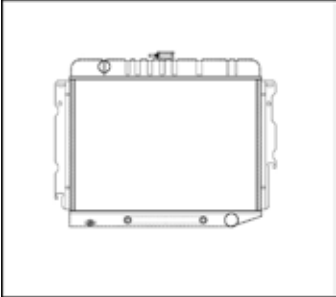
5-70045



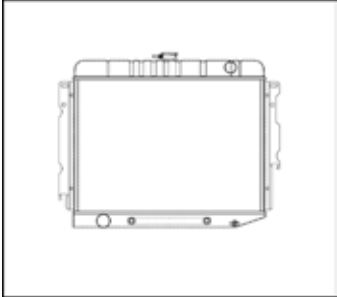
5-70051



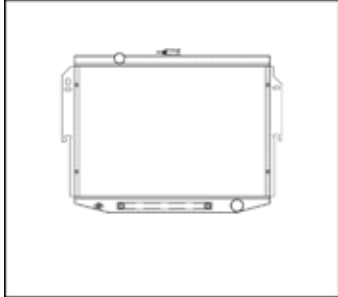
5-70057



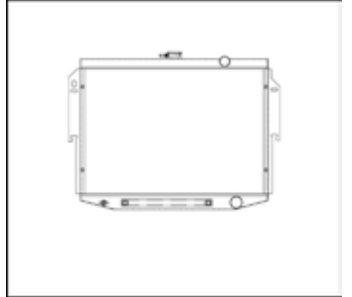
5-70058



5-70069

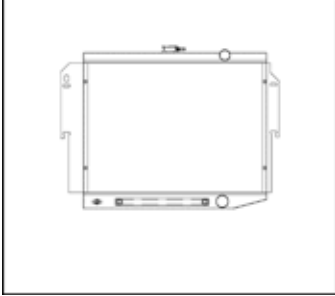


5-70070

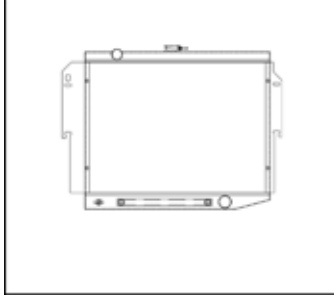




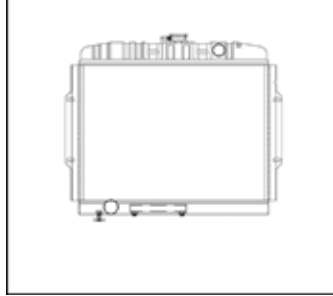
5-70071



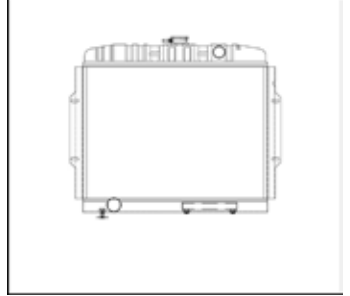
5-70072



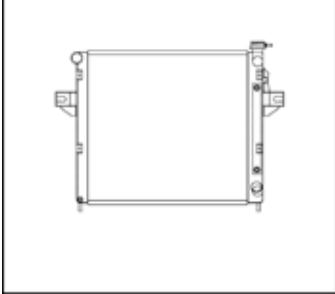
5-70073



5-70074



5-70079



5-70080



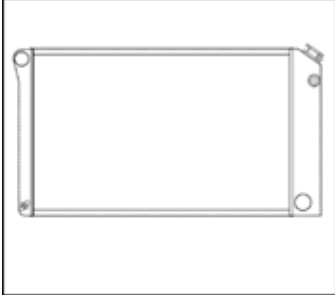
5-70081



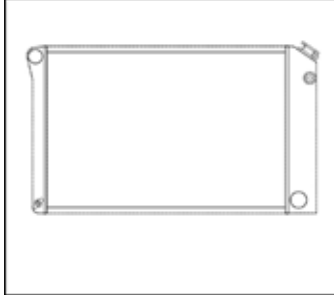
5-70095



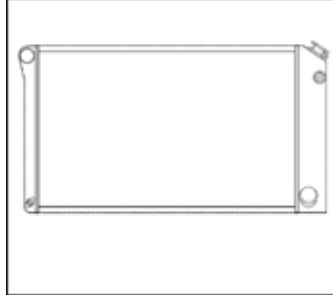
6-00006



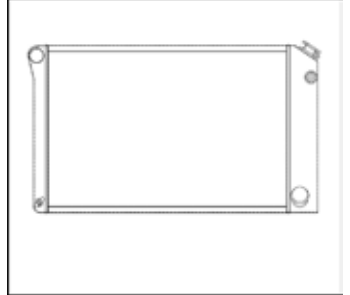
6-00007



6-00015



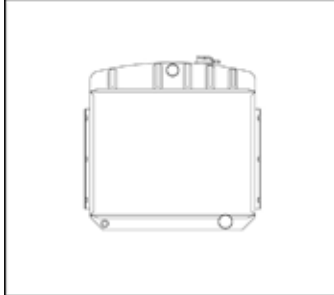
6-00017



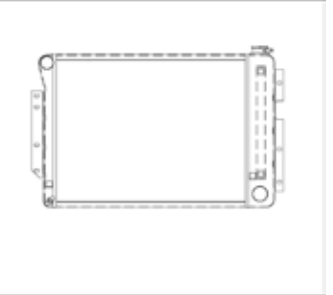
6-00046



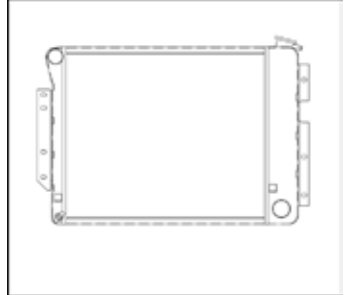
6-00047



6-00048



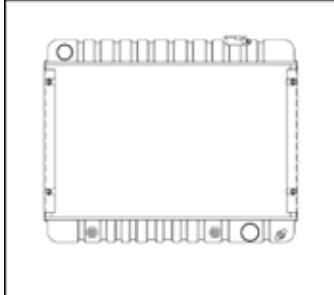
6-00049



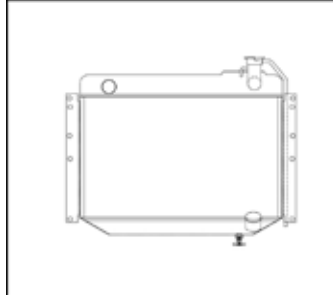
6-00054



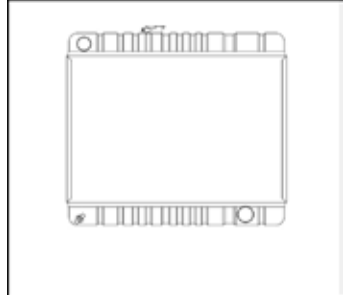
6-00055



6-00059

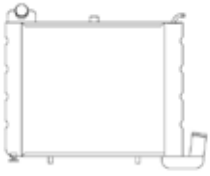


6-00060



# 90 DRAWINGS

6-00061



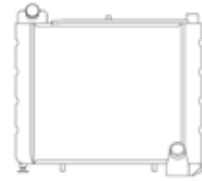
6-00062



6-00063



6-00064



6-00065



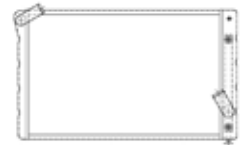
6-00066



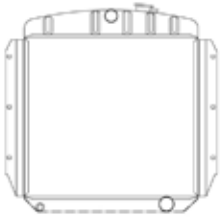
6-00067



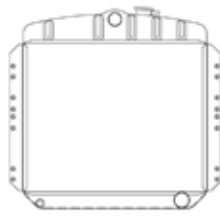
6-00068



6-00075



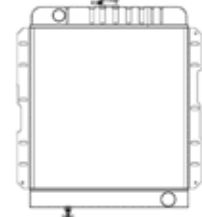
6-00076



6-00089



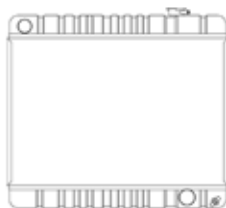
6-00090



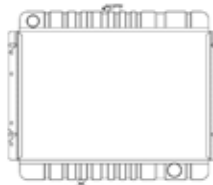
6-00100



6-00105



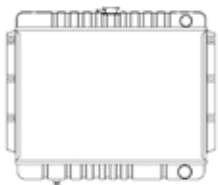
6-00106



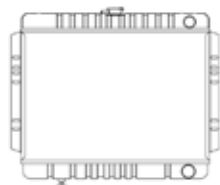
6-00107



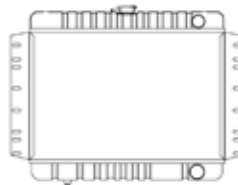
6-00108



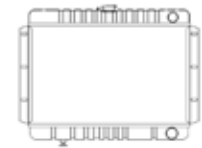
6-00109



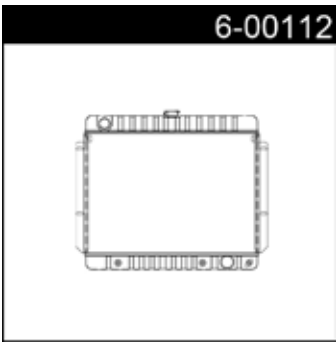
6-00110



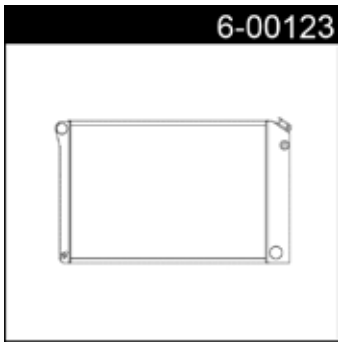
6-00111



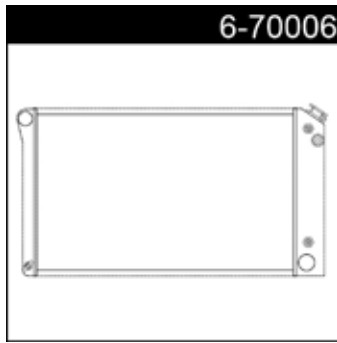
6-00112



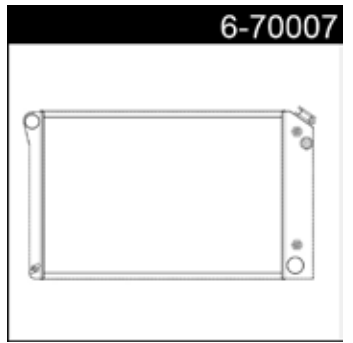
6-00123



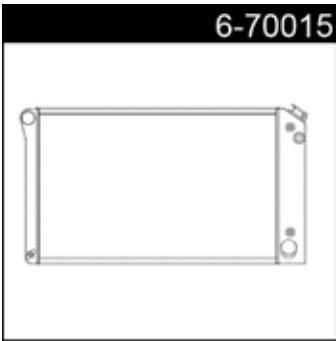
6-70006



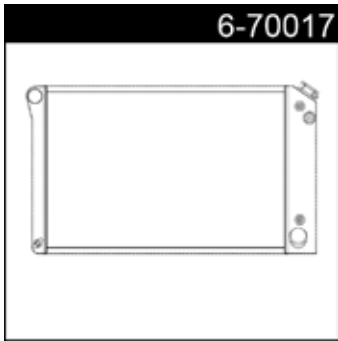
6-70007



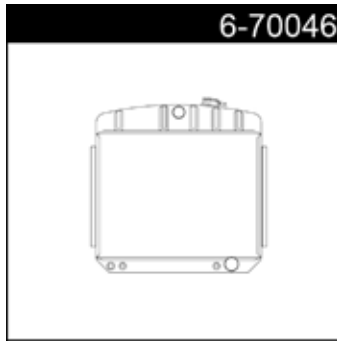
6-70015



6-70017



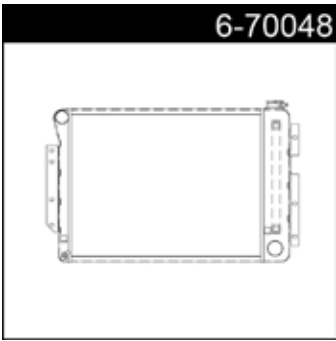
6-70046



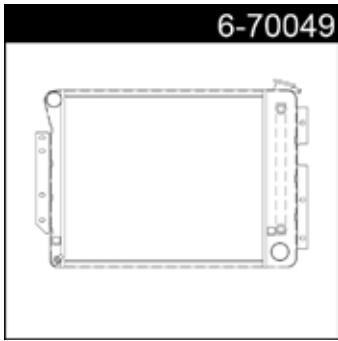
6-70047



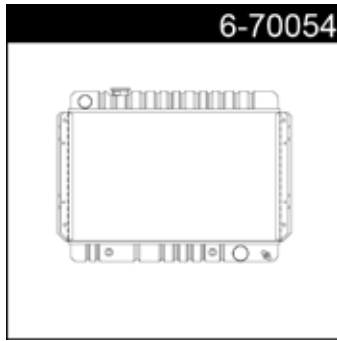
6-70048



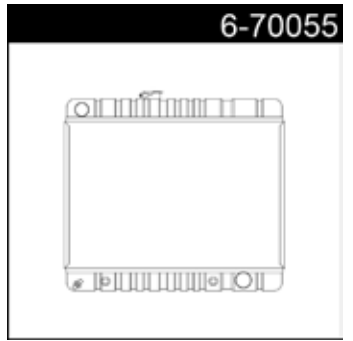
6-70049



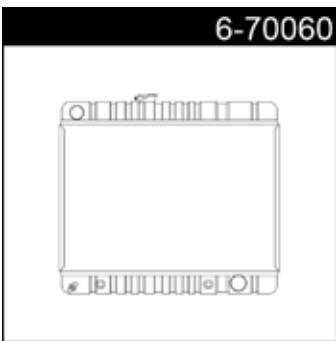
6-70054



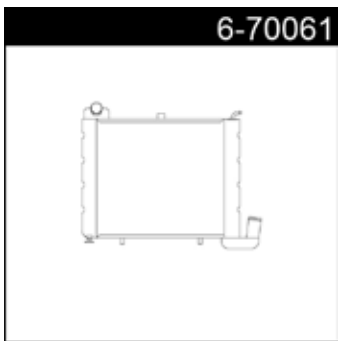
6-70055



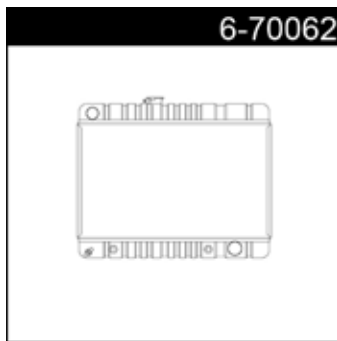
6-70060



6-70061



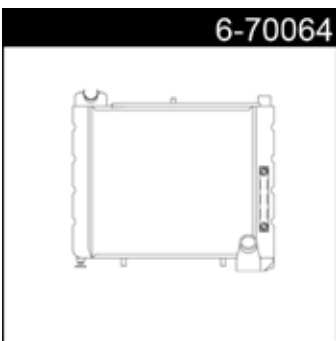
6-70062



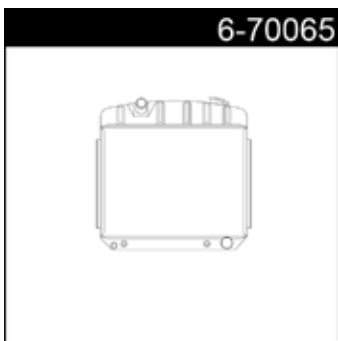
6-70063



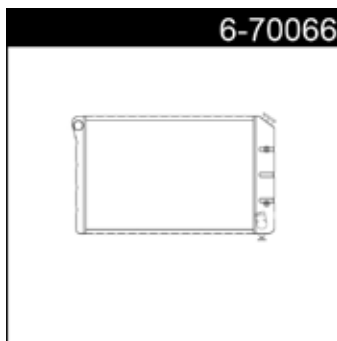
6-70064



6-70065



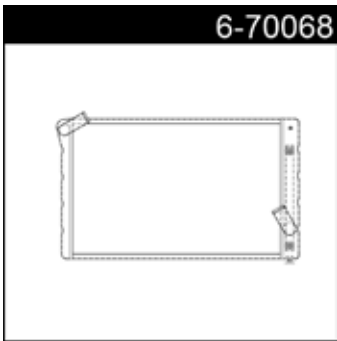
6-70066



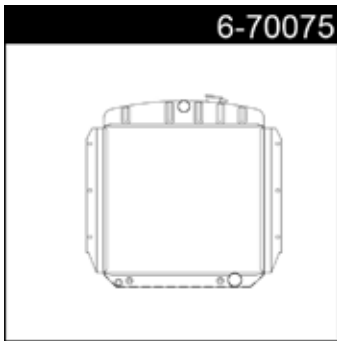
6-70067



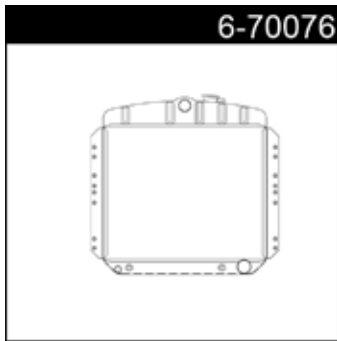
6-70068



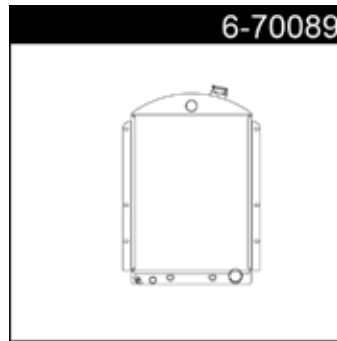
6-70075



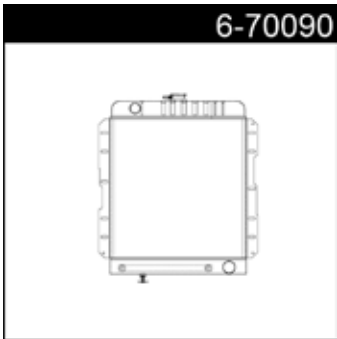
6-70076



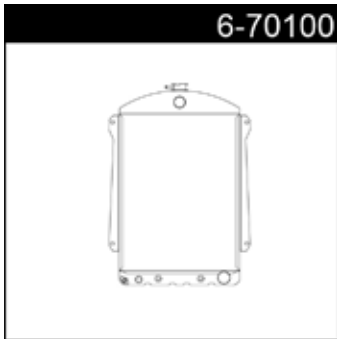
6-70089



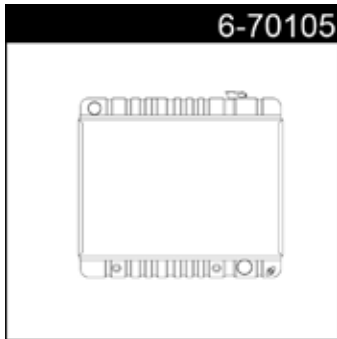
6-70090



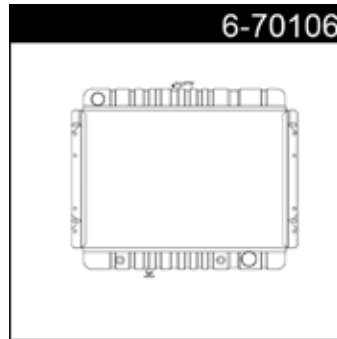
6-70100



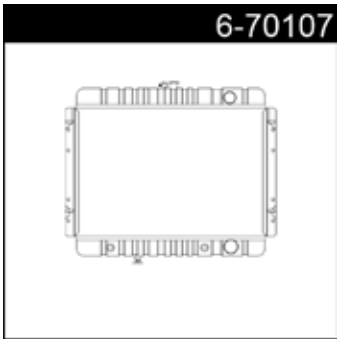
6-70105



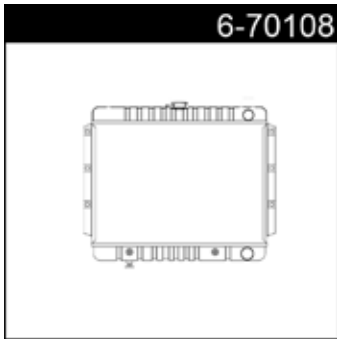
6-70106



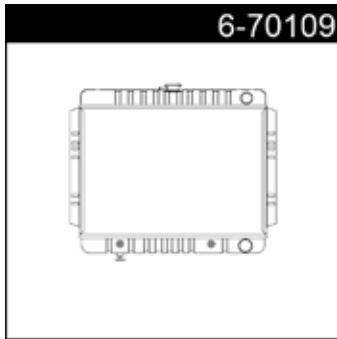
6-70107



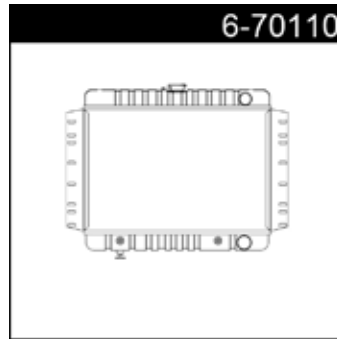
6-70108



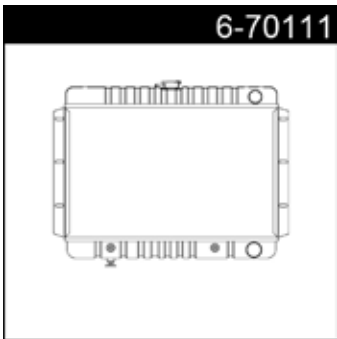
6-70109



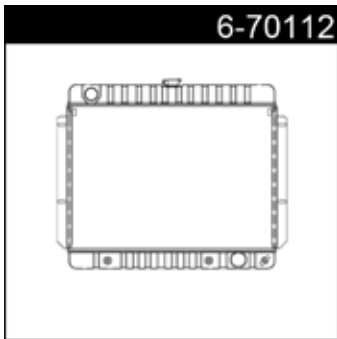
6-70110



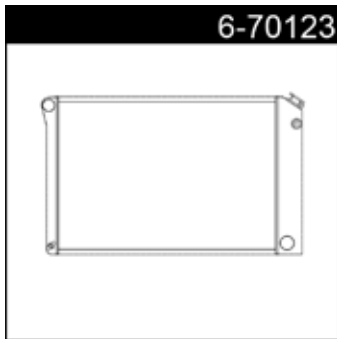
6-70111



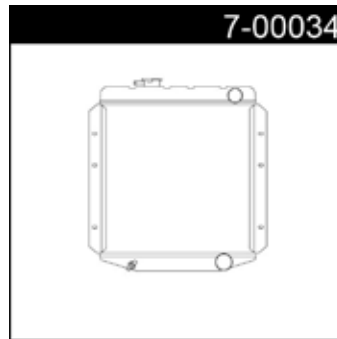
6-70112



6-70123



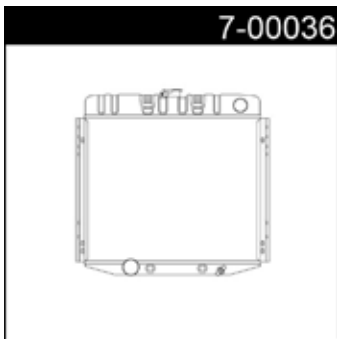
7-00034



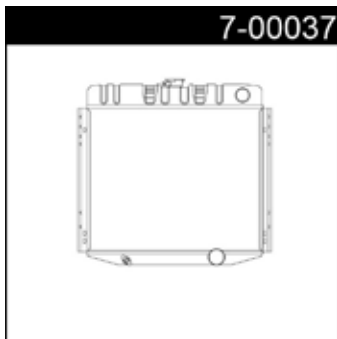
7-00035



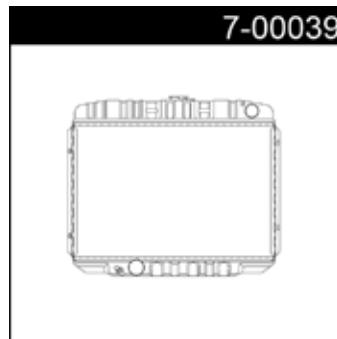
7-00036



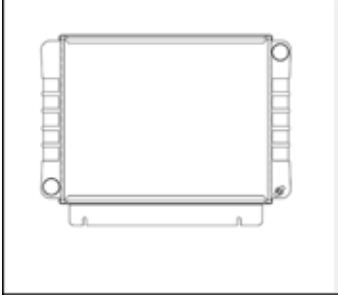
7-00037



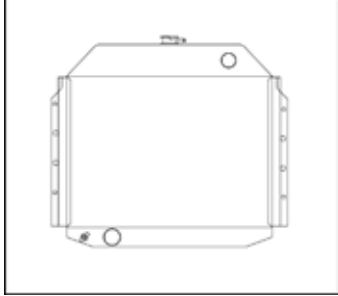
7-00039



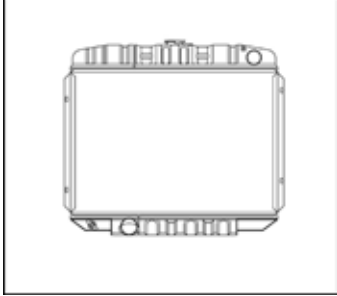
7-00040



7-00041



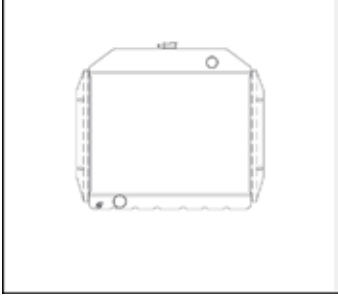
7-00042



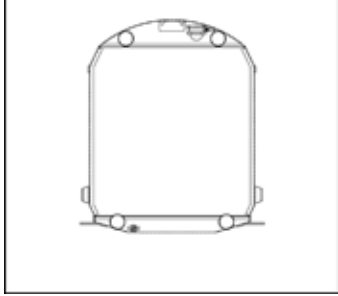
7-00050



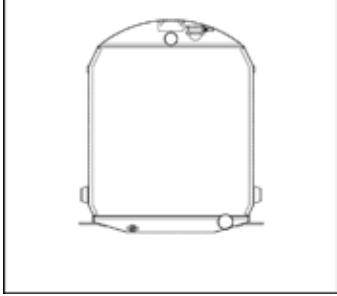
7-70139



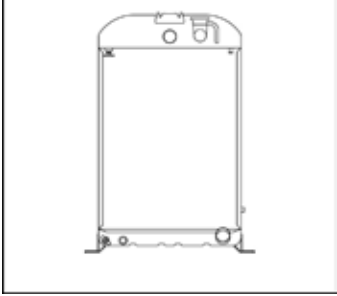
7-00077



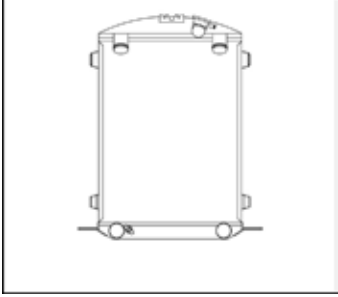
7-00078



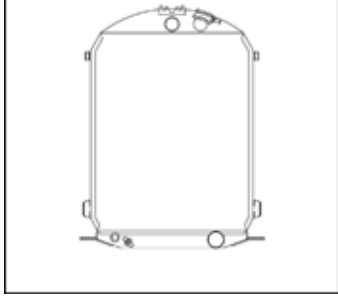
7-00082



7-00083



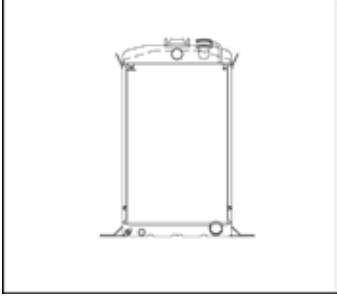
7-00084



7-00085



7-00086



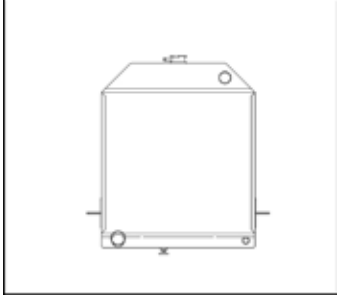
7-00088



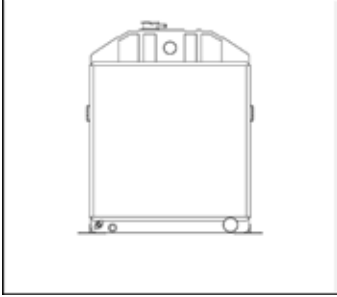
7-00094



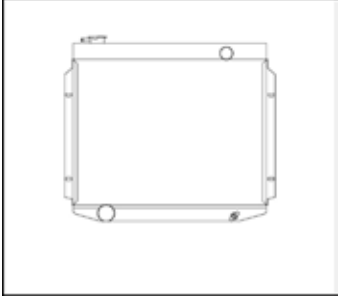
7-00097



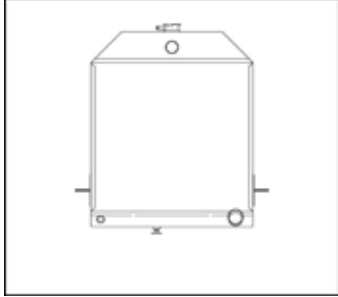
7-00099



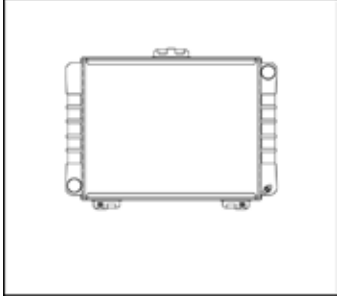
7-00101



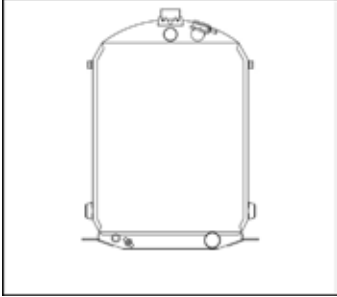
7-00102



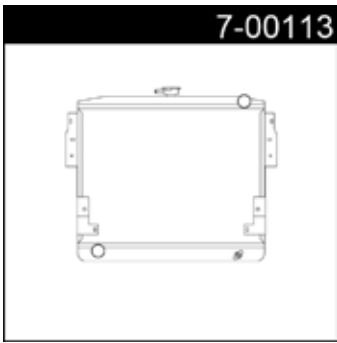
7-00103



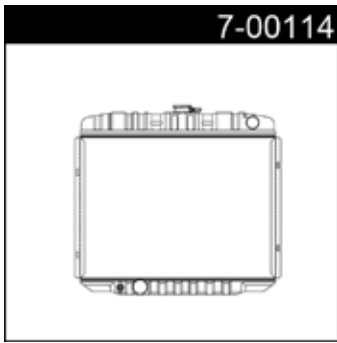
7-70084



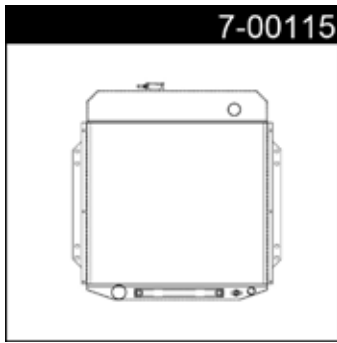
7-00113



7-00114



7-00115



7-00116



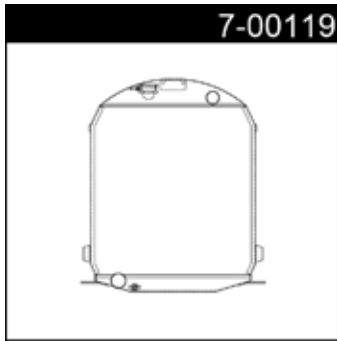
7-00117



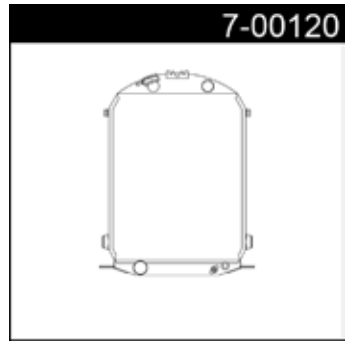
7-00118



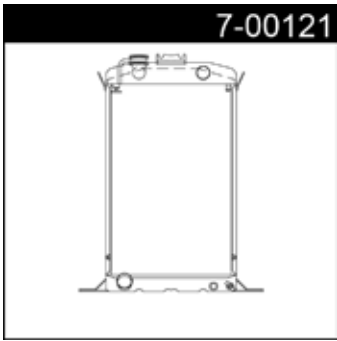
7-00119



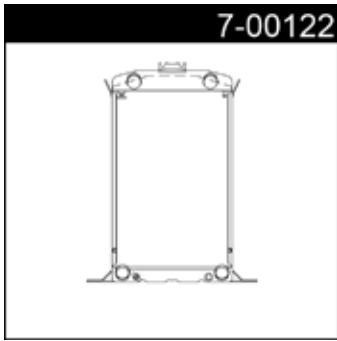
7-00120



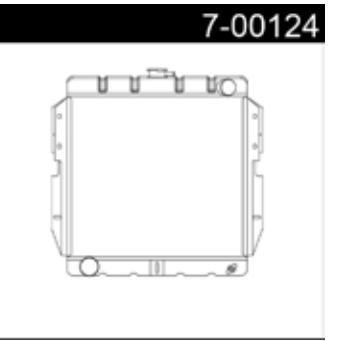
7-00121



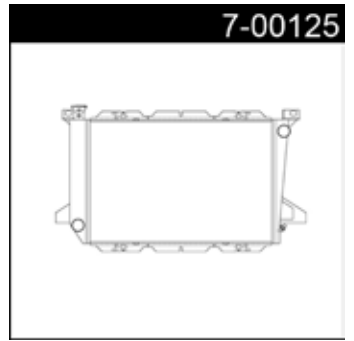
7-00122



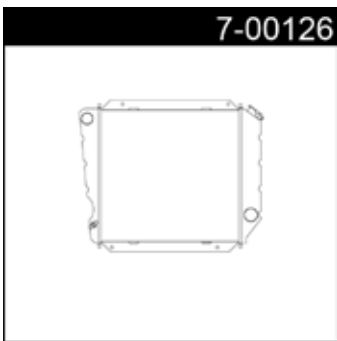
7-00124



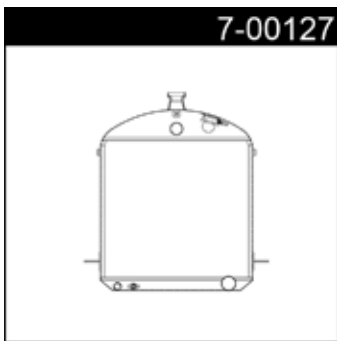
7-00125



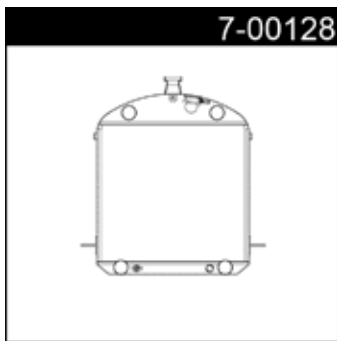
7-00126



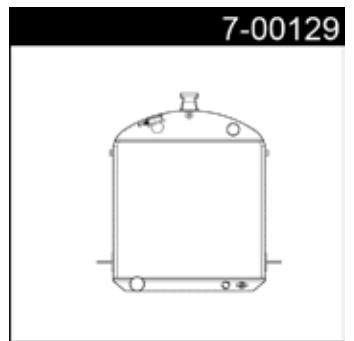
7-00127



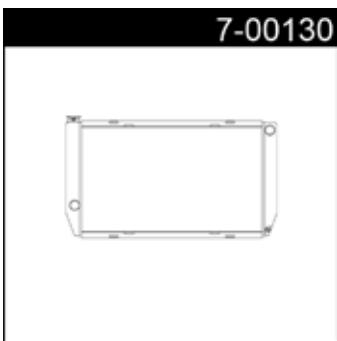
7-00128



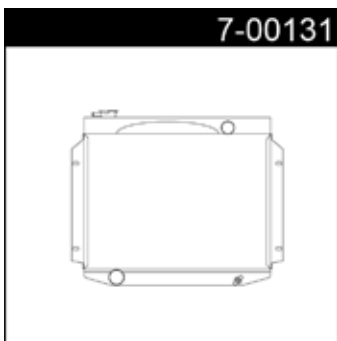
7-00129



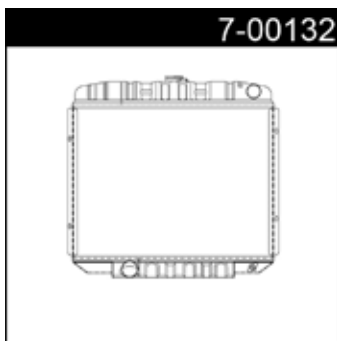
7-00130



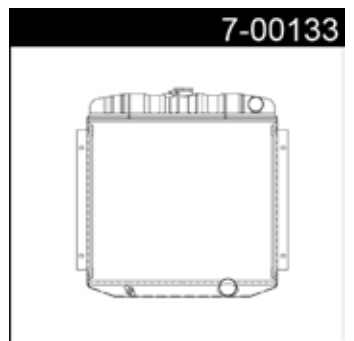
7-00131



7-00132



7-00133





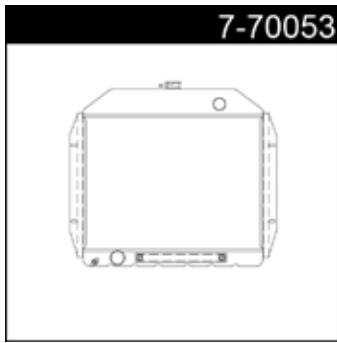
7-70042



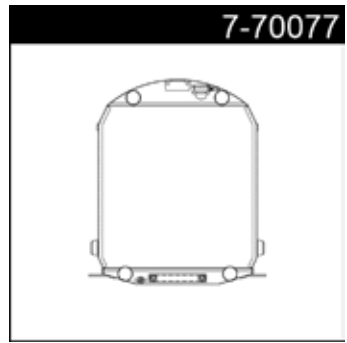
7-70050



7-70053



7-70077



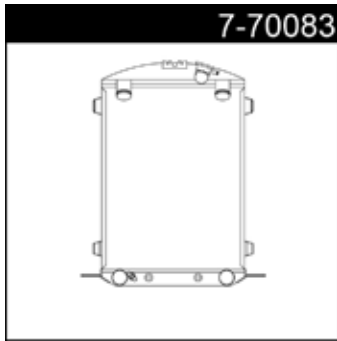
7-70078



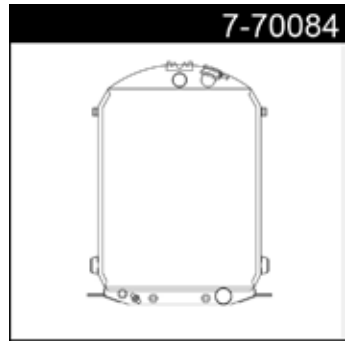
7-70082



7-70083



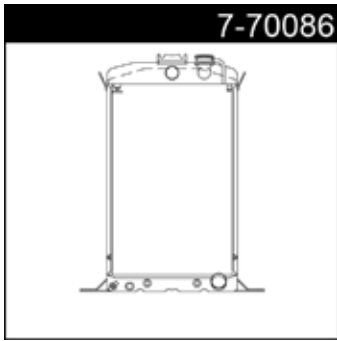
7-70084



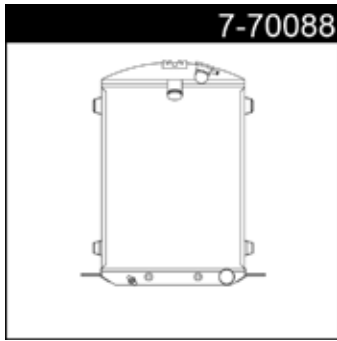
7-70085



7-70086



7-70088



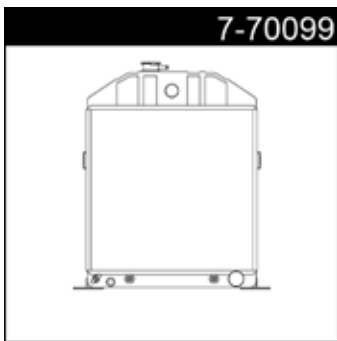
7-70094



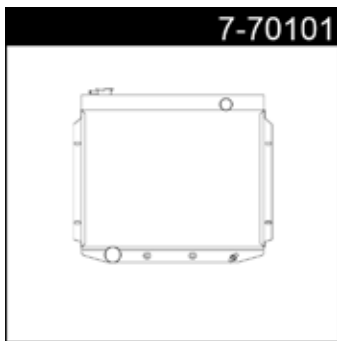
7-70097



7-70099



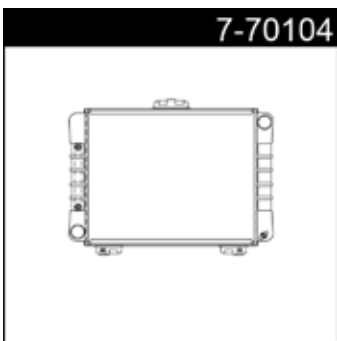
7-70101



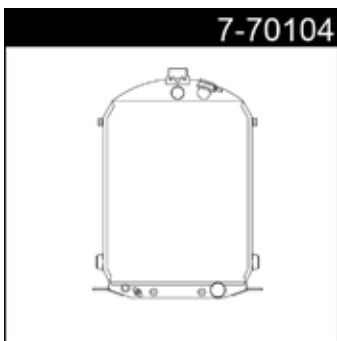
7-70102



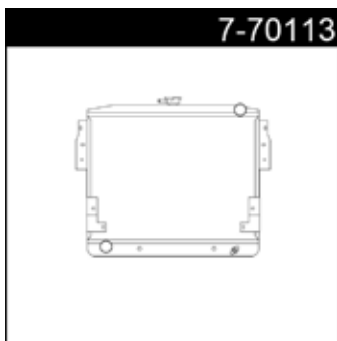
7-70104



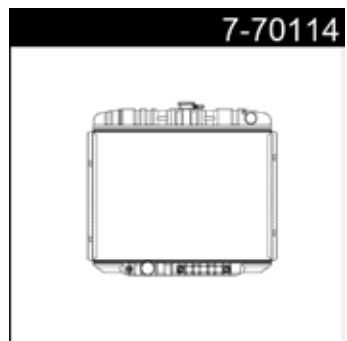
7-70104



7-70113

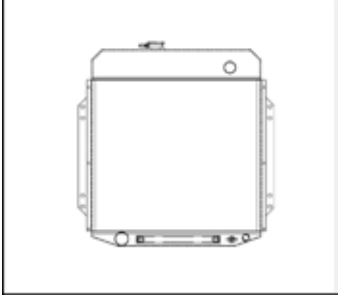


7-70114

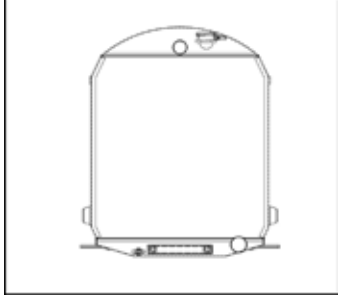




7-70115



7-70116



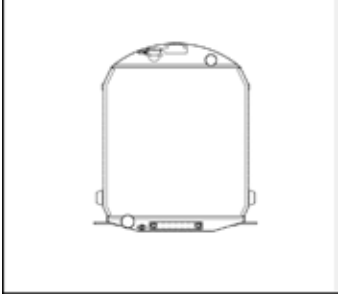
7-70117



7-70118



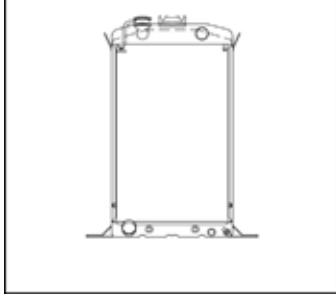
7-70119



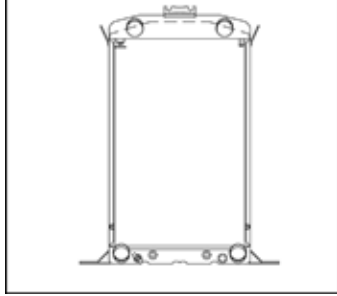
7-70120



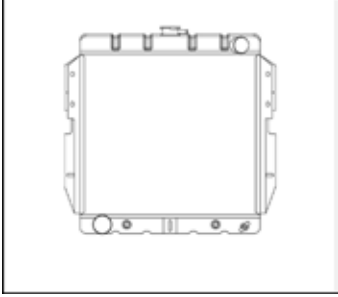
7-70121



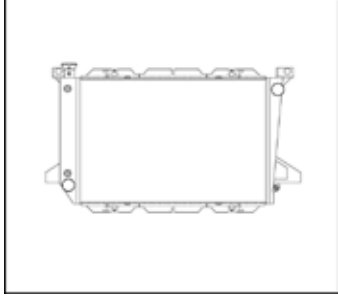
7-70122



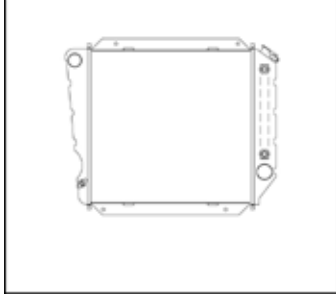
7-70124



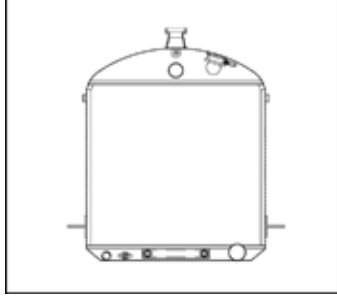
7-70125



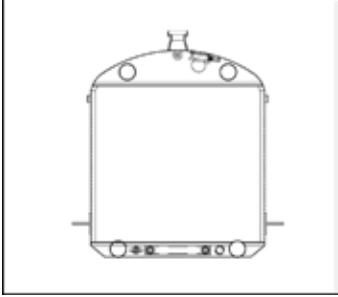
7-70126



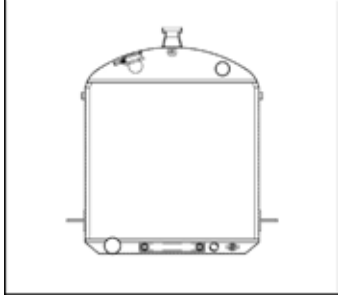
7-70127



7-70128



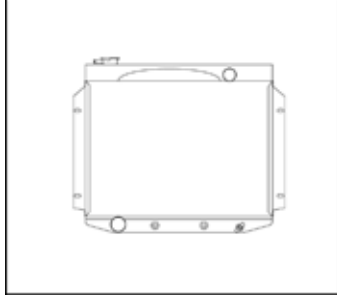
7-70129



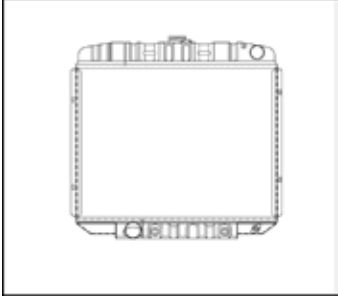
7-70130



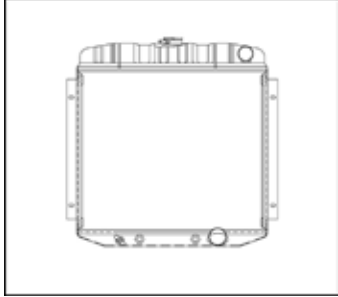
7-70131



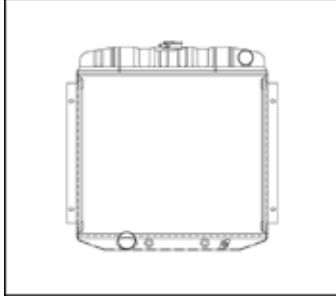
7-70132



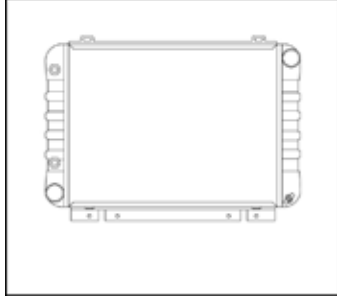
7-70133



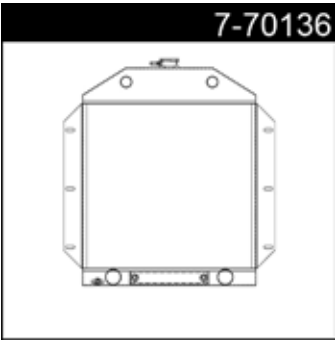
7-70134



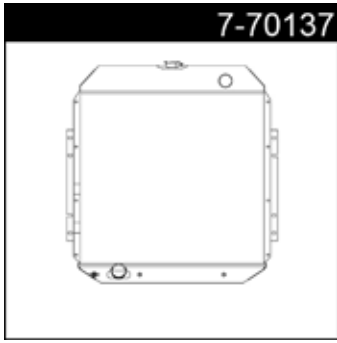
7-70135



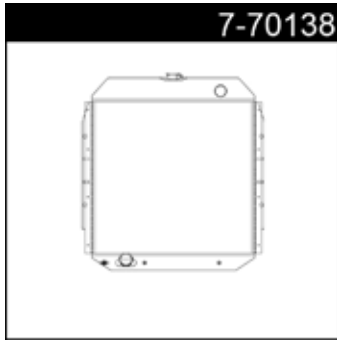
7-70136



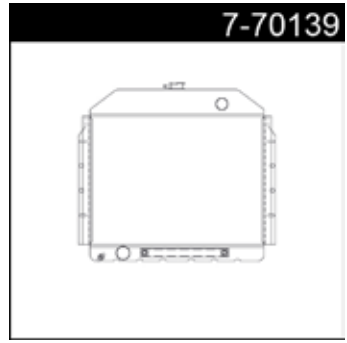
7-70137



7-70138



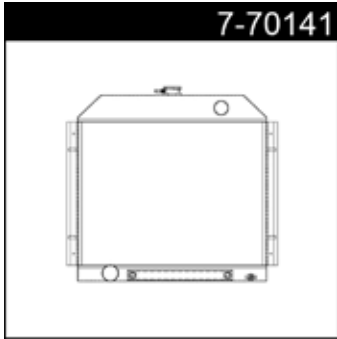
7-70139



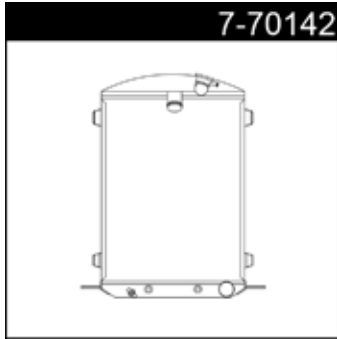
7-70140



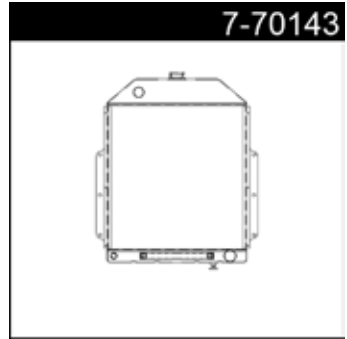
7-70141



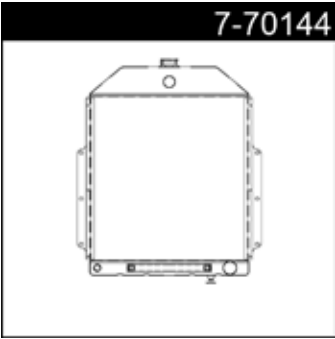
7-70142



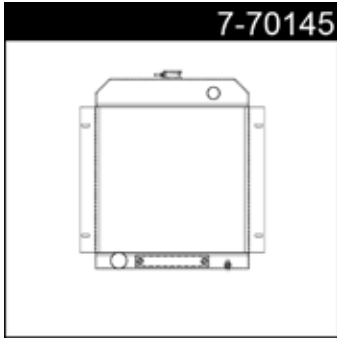
7-70143



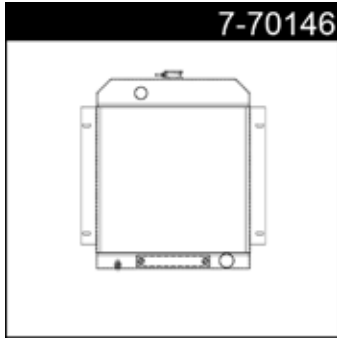
7-70144



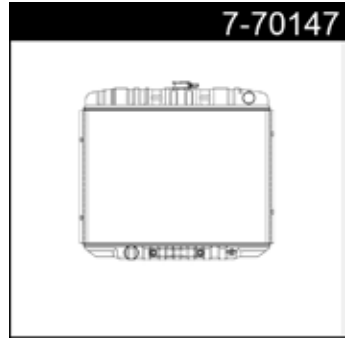
7-70145



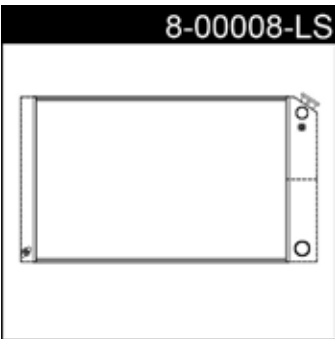
7-70146



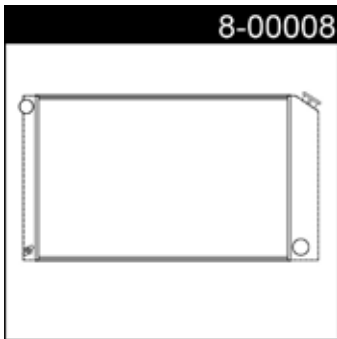
7-70147



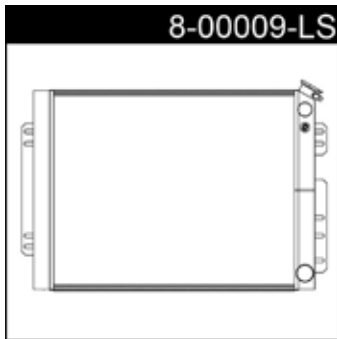
8-00008-LS



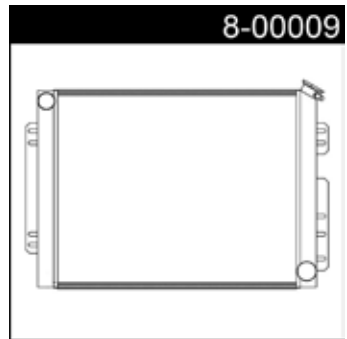
8-00008



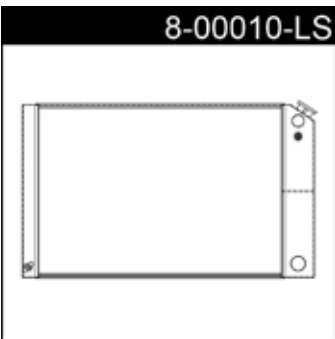
8-00009-LS



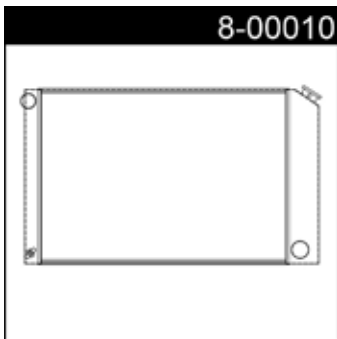
8-00009



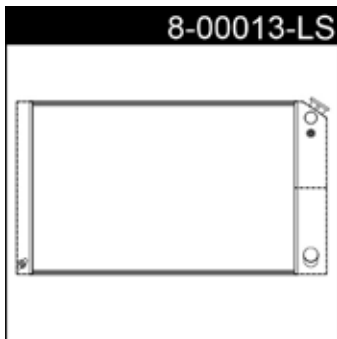
8-00010-LS



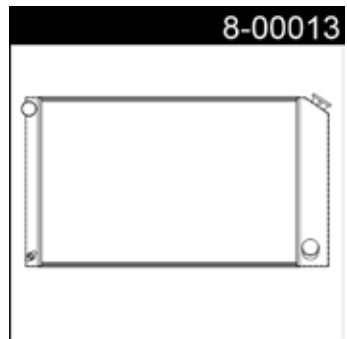
8-00010

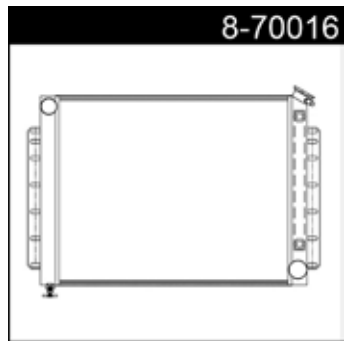
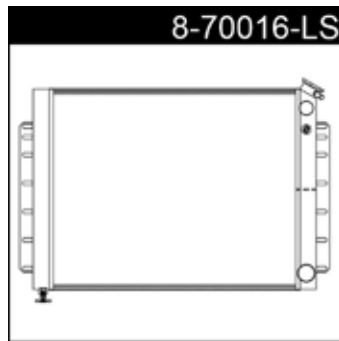
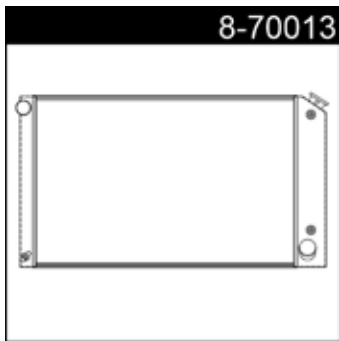
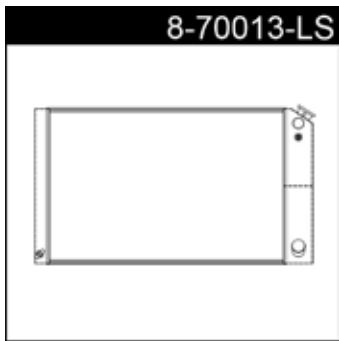
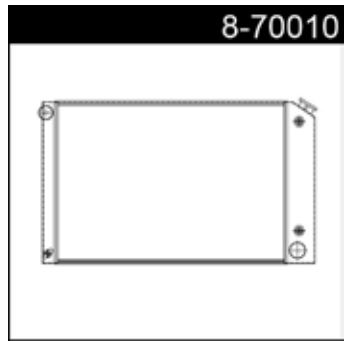
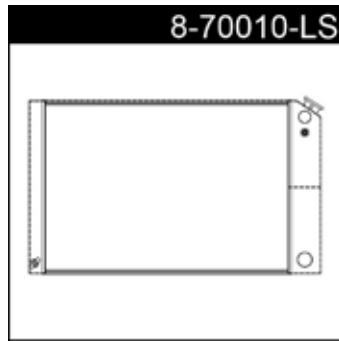
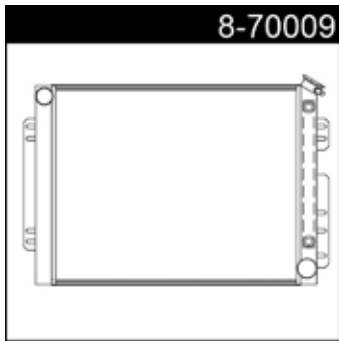
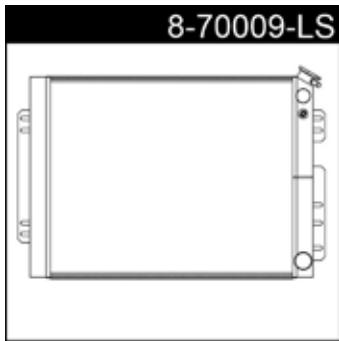
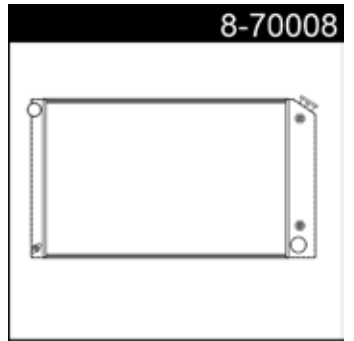
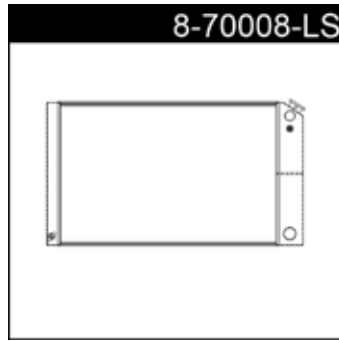
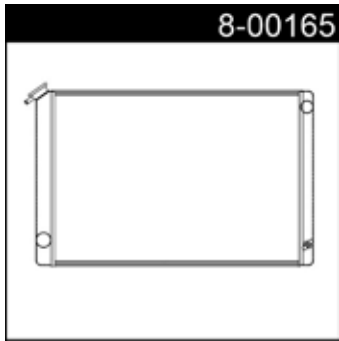
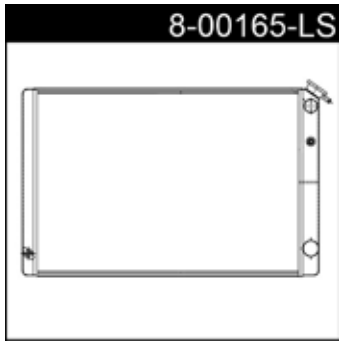
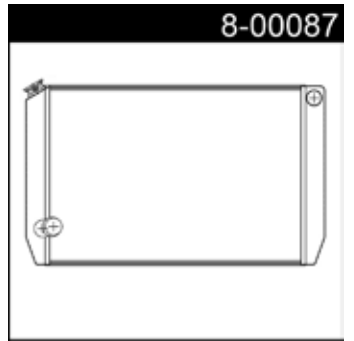
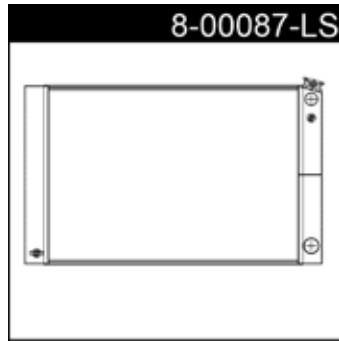
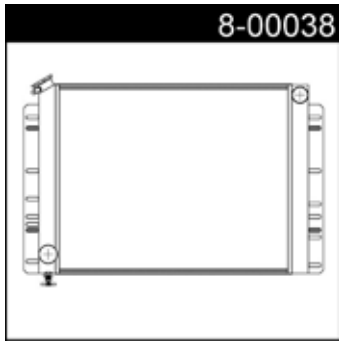
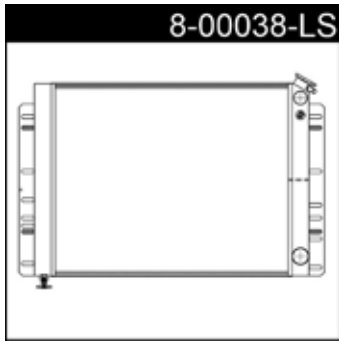
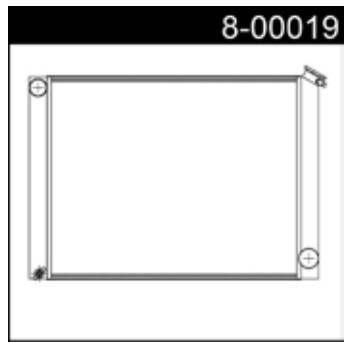
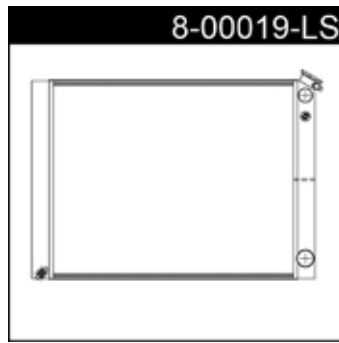
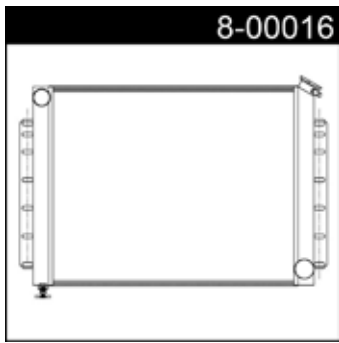
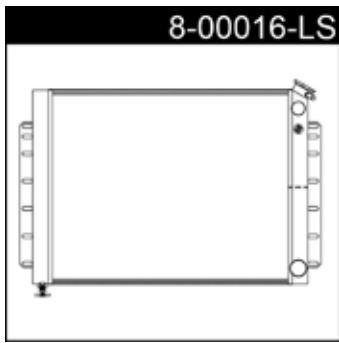


8-00013-LS



8-00013



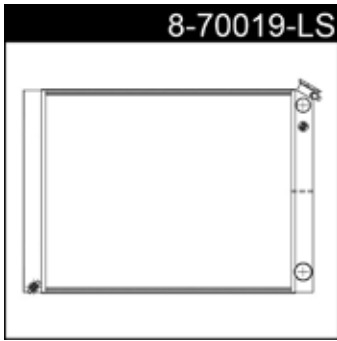


# 100 DRAWINGS

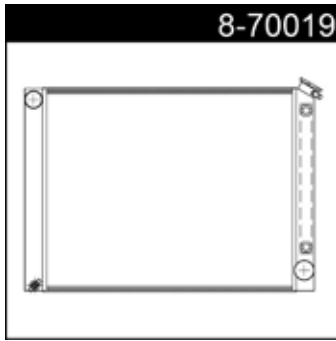
8-70018



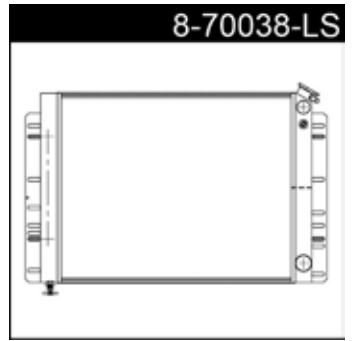
8-70019-LS



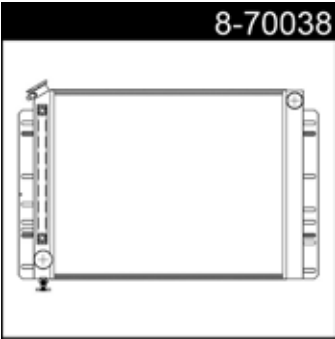
8-70019



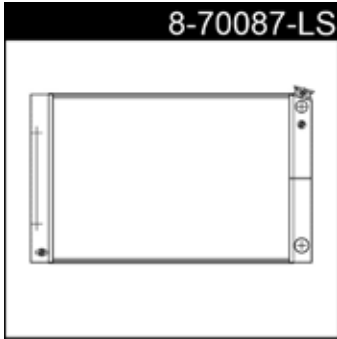
8-70038-LS



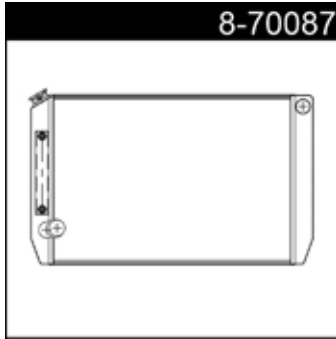
8-70038



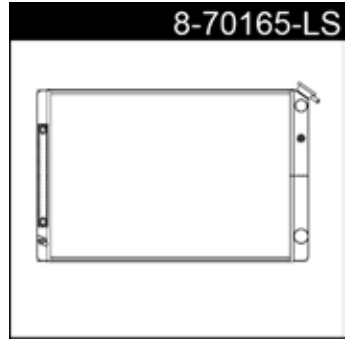
8-70087-LS



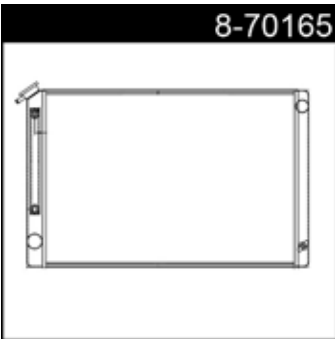
8-70087



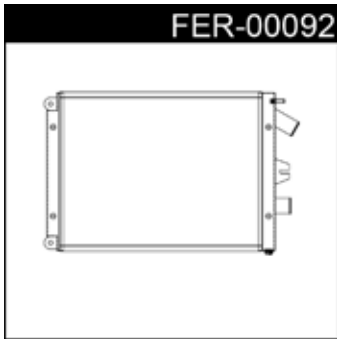
8-70165-LS



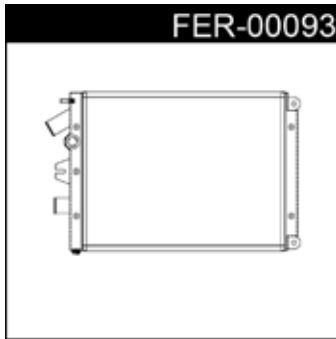
8-70165



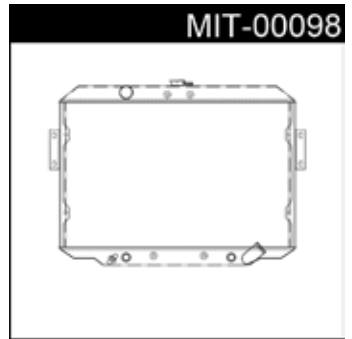
FER-00092



FER-00093



MIT-00098



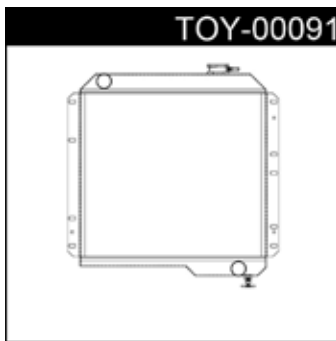
NIS-70002



TOY-00052



TOY-00091



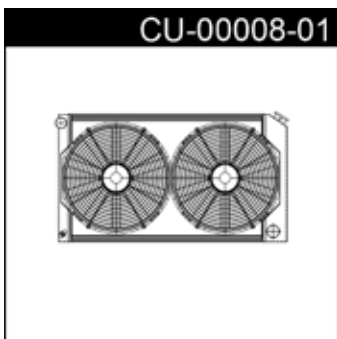
TOY-70011



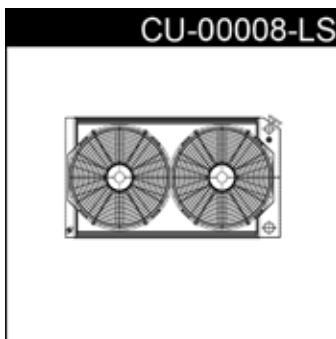
TOY-70052



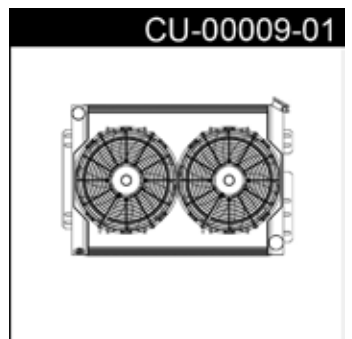
CU-00008-01



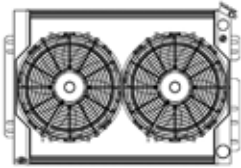
CU-00008-LS



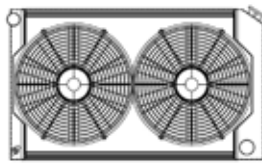
CU-00009-01



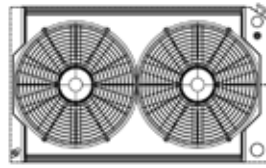
CU-00009-LS



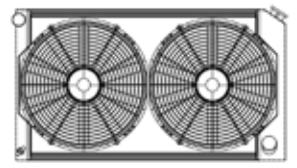
CU-00010-01



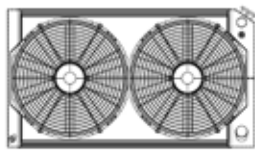
CU-00010-LS



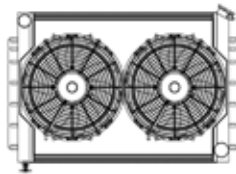
CU-00013-01



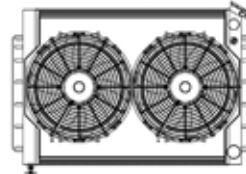
CU-00013-LS



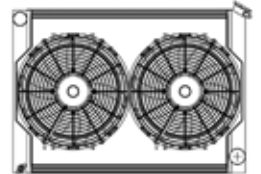
CU-00016-01



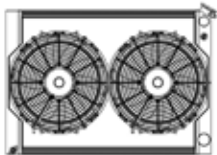
CU-00016-LS



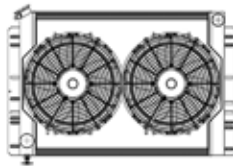
CU-00019-01



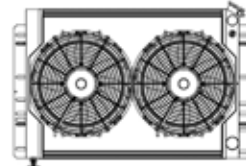
CU-00019-LS



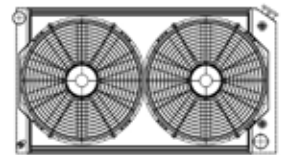
CU-00038-01



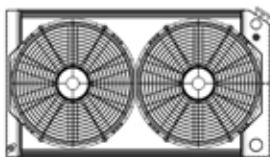
CU-00038-LS



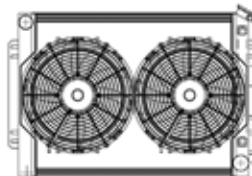
CU-70008-01



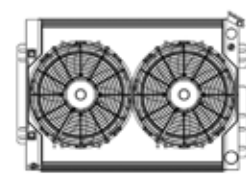
CU-70008-LS



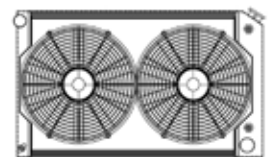
CU-70009-01



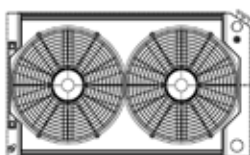
CU-70009-LS



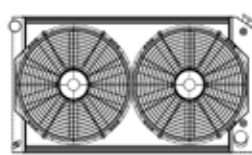
CU-70010-01



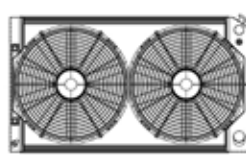
CU-70010-LS



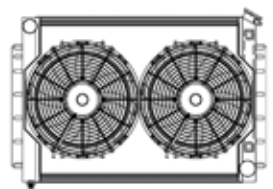
CU-70013-01



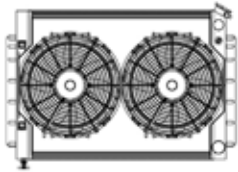
CU-70013-LS



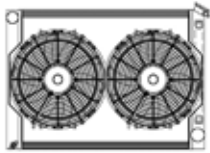
CU-70016-01



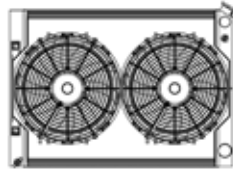
CU-70016-LS



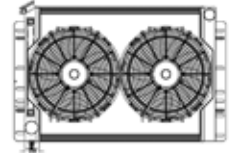
CU-70019-01



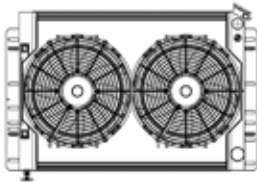
CU-70019-LS



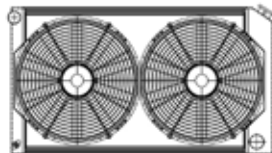
CU-70038-01



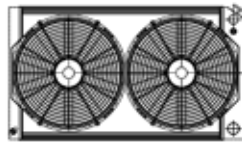
CU-70038-LS



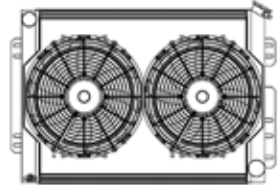
OR-00008-01



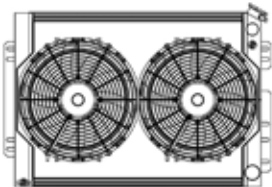
OR-00008-LS



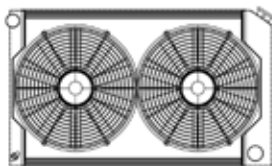
OR-00009-01



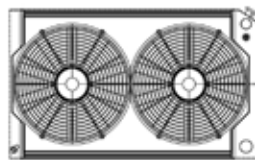
OR-00009-LS



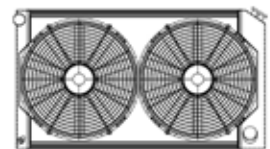
OR-00010-01



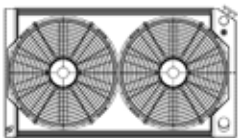
OR-00010-LS



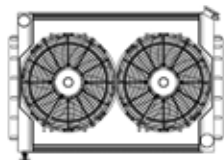
OR-00013-01



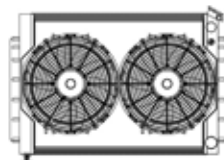
OR-00013-LS



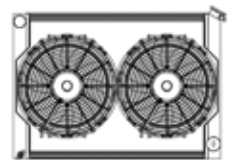
OR-00016-01



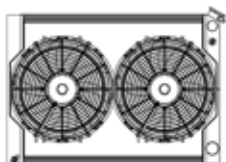
OR-00016-LS



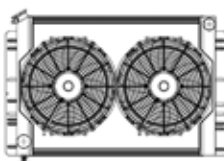
OR-00019-01



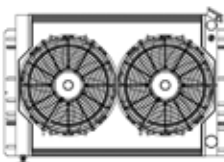
OR-00019-LS



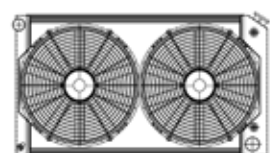
OR-00038-01



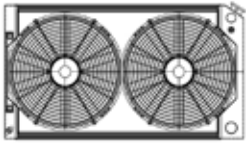
OR-00038-LS



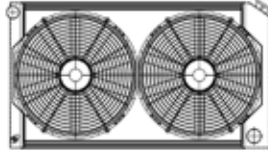
OR-70008-01



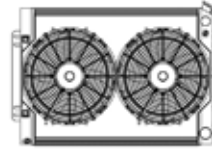
OR-70008-LS



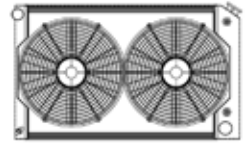
OR-70009-01



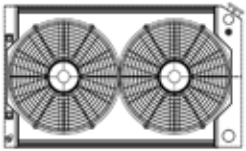
OR-70009-LS



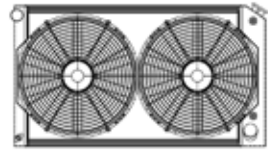
OR-70010-01



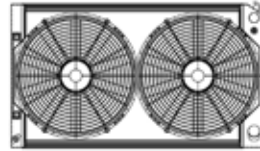
OR-70010-LS



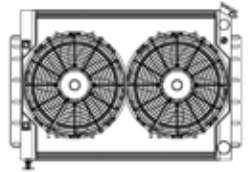
OR-70013-01



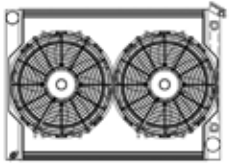
OR-70013-LS



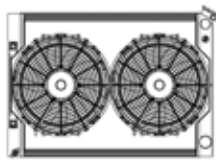
OR-70016-LS



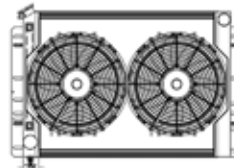
OR-70019-01



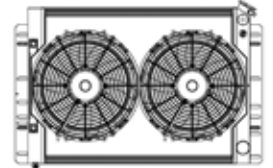
OR-70019-LS



OR-70038-01



OR-70038-LS



# Griffin . . . Radiators You Can Count On

## **Made in the USA**

*We know what this really means.*

Almost anyone can buy components and assemble a radiator, and the truth is that a lot of so-called manufacturers do just that. Griffin is an integrated manufacturer. We make the tubes, fins, headers, side bands, mounting brackets, and tanks. By controlling every step of the manufacturing process, we produce a radiator with components that are performance matched for the optimum cooling possible. A Griffin is more than some off-the-shelf, one size fits all, cookie cutter product. It is a performance radiator built to meet your specific application.



## **Strength and Reliability**

*Vacuum brazing and magnesium makes us strong.*

Vacuum brazing in the manufacturing process is the key to the performance, strength, and durability of Griffin aluminum thermal transfer products. After the radiator is assembled, all of the components must be joined (brazed) together by accurately heating it to a high temperature (approx. 1,100 degrees F). The two brazing processes most commonly used are Vacuum Brazing and CAB (NOCOLUX) Brazing. Vacuum brazing requires magnesium to braze, and magnesium is the alloy that gives aluminum its strength. Magnesium is used in the aluminum alloys for aircraft frames and in the structural components of vehicle chassis where high strength is required. A CAB brazed aluminum product does not have the equivalent strength of a Vacuum Brazed product because magnesium is absent in the CAB brazing process. This results in a substantially weaker product.



## **Performance Designed Cores**

*Its not your minivan core.*

Griffin cores are designed for high performance applications. They are not designed or manufactured to the minimum specifications of typical passenger car applications. Aftermarket or OEM automotive cores use thinner gauge materials. This results in shorter product life and an inability to perform to the thermal load requirements for high performance and racing applications. The loss of cooling capacity results in loss of horsepower and torque. This heat stress increases engine component wear and eventually decreases engine life.



**25% More**  
Cooling Power

## Tube Size, it's a big deal



### ClassicCool

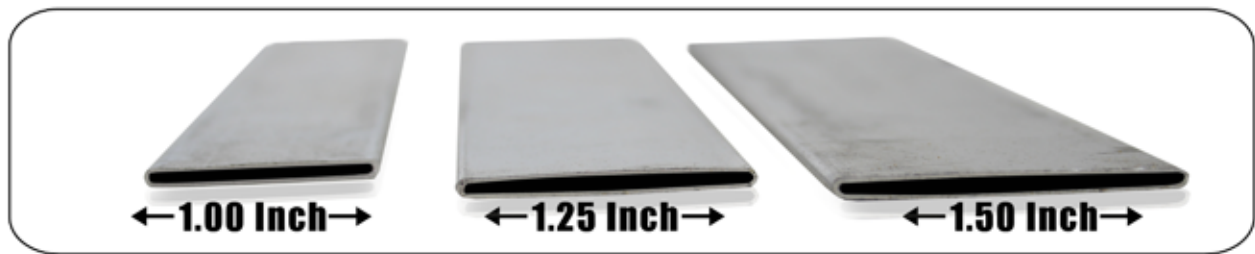
Griffin ClassicCool tubes are designed with the beginner car guy in mind. They maintain the industry standard width of 1.00 inch and provide performance cooling for motors which have been mildly modified.

### MaxCool

Griffin MaxCool tubing is one of the largest innovations in aluminum radiator technology since the early 80's. Boasting a 1.25 inch width this new tube offers an impressive 25% more cooling power. Capable of cooling moderate to heavily modified engines Griffin MaxCool tube is a must have performance enhancer for the advanced car guy.

### ExtremeCool

Griffin ExtremeCool tube is the biggest and the baddest tube on the market. At 1.50 inches wide it is capable of cooling some of the meanest engines out there. Available in both one row and two row configurations. ExtremeCool tube is only recommended for professional builders and mechanics.



**ComboUnit**

**ComboUnit**  
OFF ROAD

Griffin ComboUnit and ComboUnit Off Road aluminum radiators include:

1. Aluminum Radiator
2. Aluminum Fan Shroud
3. High Performance Electric Fan(s)
4. Wiring Harness
5. Temperature Sensor
6. Official Griffin Logo Radiator Cap



Griffin Thermal Products  
750 Estes Dr.  
Piedmont, SC 29673